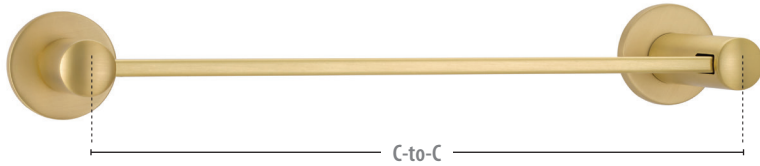


MODERN BRASS TOWEL BAR with Small Disc Rosettes



Product Code C-to-C

28024	12"
28021	18"
28022	24"
28023	30"

Projection with Rosettes Shown

3 3/8"

Bar Dimensions

5/16" x 3/4"

Rosettes

3/8" Thick

Disk (09)



2 1/2" Dia.

Modern Rectangular (12)



2 1/2" x 4"

Square (10)



2 1/2" x 2 1/2"

Urban Modern (16)



2 1/2" x 2 1/2"

Small Disc (00)



2" Dia.

1/2" Thick

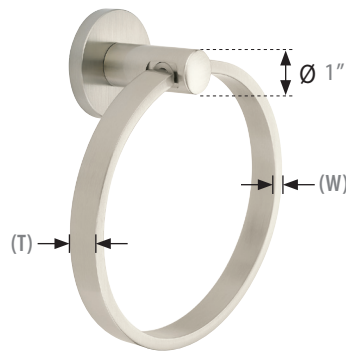
Neos (11)



2 5/8" x 4"

> Rosette size same as on passage sets

MODERN BRASS TOWEL RING with Small Disc Rosette



Product Code Overall

2801 6 1/2"

Projection with Rosette Shown

2 5/8"

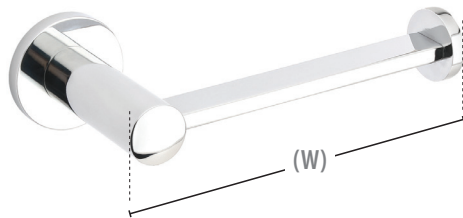
Thickness (T)

3/4"

Width (W)

3/8"

MODERN BRASS PAPER HOLDER - BAR STYLE with Small Disc Rosette



Product Code

2804

Projection with Rosette Shown

2 7/8"

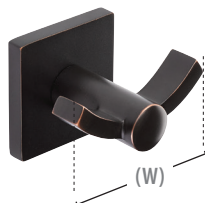
Bar Dimensions

5/16" x 3/4"

Width (W)

6 3/8"

MODERN BRASS DOUBLE HOOK with Square Rosette



Product Code

2809

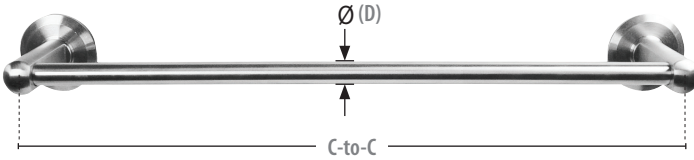
Projection with Rosette Shown

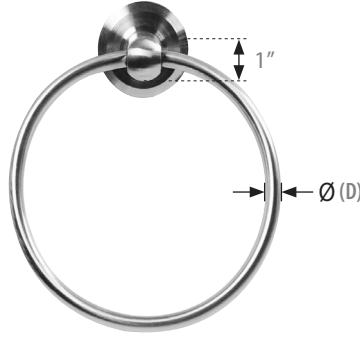
2 7/8"

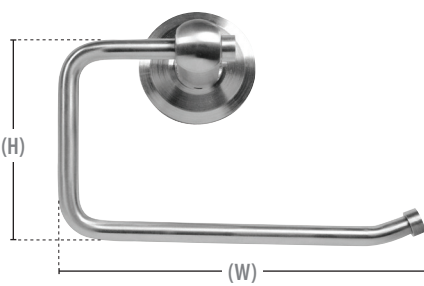
Width (W)

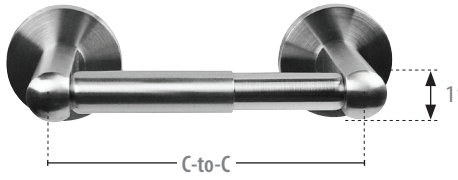
3 3/8"

> Please see page 15-17 for additional Rosette options and dimensions.

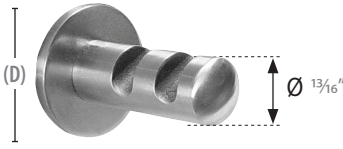
STAINLESS STEEL TOWEL BAR <i>with Beveled Rosettes</i>	Product Code	C-to-C
	S7040	12"
	S7010	18"
	S7020	24"
	S7030	30"
	Projection with Rosettes Shown	3 5/16"
	Bar Diameter (D)	5/8"

STAINLESS STEEL TOWEL RING <i>with Beveled Rosette</i>	Product Code	Overall	
	S7300	6 11/16"	
		Projection with Rosette Shown	2 13/16"
		Diameter (D)	3/8"

STAINLESS STEEL PAPER HOLDER - BAR STYLE <i>with Beveled Rosette</i>	Product Code	
	S7210	
	Projection with Rosette Shown	3 5/16"
	Bar Height (H)	3 7/8"
	Bar Width (W)	6 3/8"

STAINLESS STEEL PAPER HOLDER - SPRING ROD STYLE <i>with Disk Rosettes</i>	Product Code	C-to-C
	S7220	6 3/16"
	Projection with Rosettes Shown	3 3/8"

> Please see page 15-17 for additional Rosette options and dimensions.

STAINLESS STEEL SINGLE HOOK	Product Code	
	S71001	
	Projection	2 5/8"
	Rosette Diameter (D)	1 3/4"

>> Rosette options are not available for this product.

Rosettes
3/8" Thick
Beveled (1)

2 7/16" Dia.
Disk (2)

2 1/2" Dia.
Square (3)

2 1/2" x 2 1/2"

> Rosette size same as on passage sets

TRANSITIONAL BRASS TOWEL BAR *with Disk Rosettes*

Product Code	C-to-C
29025	12"
29026	18"
29027	24"
29028	30"

Projection with Rosettes Shown
3 3/8"

Diameter (D)
3/4"

TRANSITIONAL BRASS TOWEL RING *with Modern Rectangular Rosette*

Product Code
2901

Projection with Rosette Shown
3 1/4"

Bar Width (W)
6"

Bar Height (H)
7"

TRANSITIONAL BRASS PAPER HOLDER - BAR STYLE *with Quincy Rosette*

Product Code
2904

Projection with Rosette Shown
3 3/8"

Bar Width (W)
6 7/8"

Bar Height (H)
4 1/4"

TRANSITIONAL BRASS SINGLE HOOK WITH ROSETTE *with Disk Rosette*

Product Code
2909

Projection with Rosette Shown
2 7/8"

Rosettes

3/8" Thick

Regular (0) 2 3/4" Dia.	Rectangular (3) 4 3/8" x 2 9/16"
#8 (8) 4 3/8" x 2 9/16"	Quincy (31) 2 1/2" x 2 1/2"
Disk (09) 2 1/2" Dia.	Square (10) 2 1/2" x 2 1/2"
Modern Rectangular (12) 2 1/2" x 4"	Small Disc (00) 2" Dia.
Small Regular (20) 2" Dia.	

7/16" Thick

Oval (2) 4 1/2" x 2 1/2"	Wilshire (61) 3" x 2 1/2"
-----------------------------	------------------------------

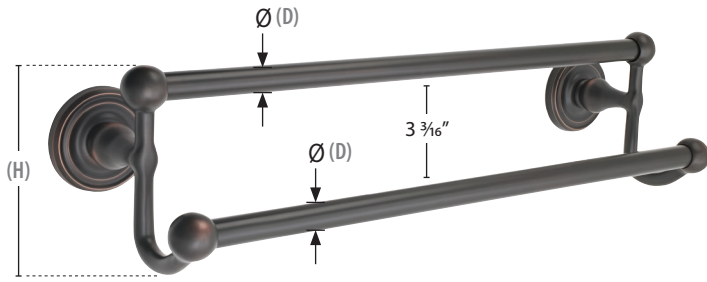
1/2" Thick

Neos (11) 2 5/8" x 4"

> Please see page 15-17 for additional Rosette options and dimensions.

> Rosette size same as on passage sets

BRASS DOUBLE TOWEL BAR with Regular Rosettes



Product Code C-to-C

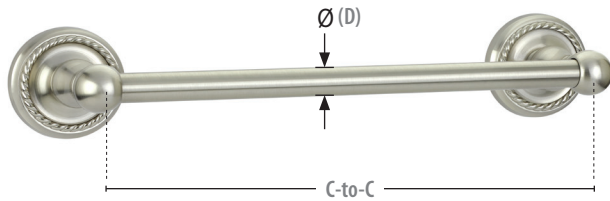
26031	18"
26032	24"
26033	30"

Projection with Rosettes Shown
5 3/8"

Diameter (D)
1 1/16"

Overall Height
4 3/4"

BRASS TOWEL BAR with Rope Rosettes



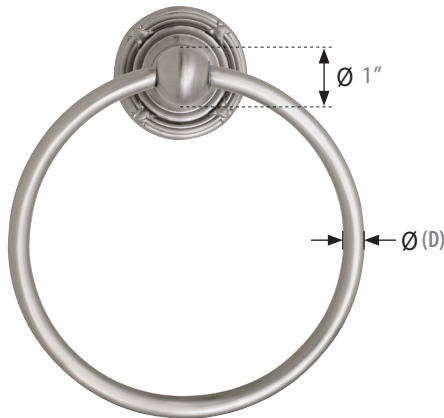
Product Code C-to-C

26024	12"
26021	18"
26022	24"
26023	30"

Projection with Rosettes Shown
3 3/8"

Diameter (D)
1 1/16"

BRASS TOWEL RING with Ribbon & Reed Rosette



Product Code Overall

2601	6 7/8"
------	--------

Projection with Rosette Shown
2 5/8"

Diameter (D)
7/16"

Rosettes

3/8" Thick

Regular (0)



2 3/4" Dia.

Rope (1)



2 3/4" Dia.

Rectangular (3)



4 3/8" x 2 9/16"

Quincy (31)



2 1/2" x 2 1/2"

Lancaster (6)



2 3/4" Dia.

Ribbon & Reed (7)



2 3/4" Dia.

#8 (8)



4 3/8" x 2 9/16"

Small Regular (20)



2" Dia.

7/16" Thick

Oval (2)



4 1/2" x 2 1/2"

Wilshire (61)



3" x 2 1/2"

1/2" Thick

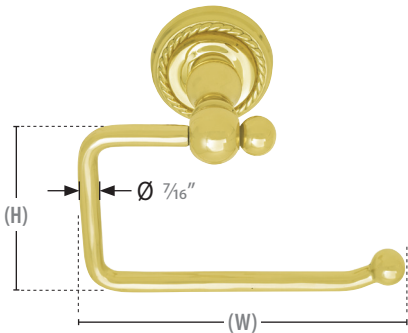
Arts & Crafts
Rectangular (05)

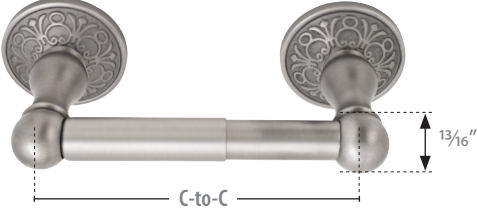



4" x 2 1/2"

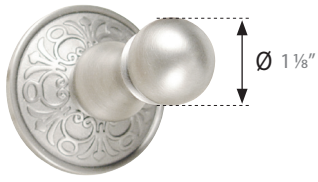
> Rosette size same as on passage sets

> Please see page 15-17 for additional Rosette options and dimensions.

BRASS PAPER HOLDER - BAR STYLE with Rope Rosette	Product Code
	2604
	Projection with Rosette Shown 3 3/8"
	Bar Width (W) 6 3/4"
	Bar Height (H) 3 15/16"

BRASS PAPER HOLDER - SPRING ROD STYLE with Lancaster Rosettes	Product Code
	2605
	C-to-C 7 1/8"
	Projection with Rosettes Shown 3 3/8"

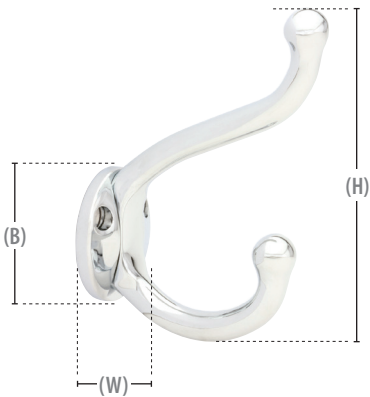
BRASS DOUBLE HOOK WITH ROSETTE with Oval Rosette	Product Code
	2609
	Projection with Rosette Shown 2 7/8"
	Width (W) 3 3/8"

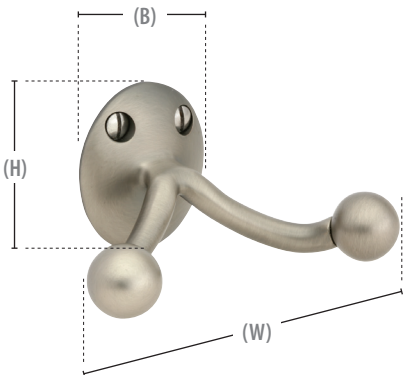
BRASS SINGLE HOOK POST with Lancaster Rosette	Product Code
	2608
	Projection with Rosette Shown 3 1/2"

> Please see page 15-17 for additional Rosette options and dimensions.

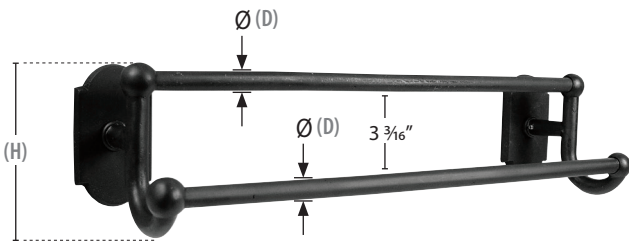
Rosettes	
<i>3/8" Thick</i>	
Regular (0)  2 3/4" Dia.	Rope (1)  2 3/4" Dia.
Rectangular (3)  4 3/8" x 2 9/16"	Quincy (31)  2 1/2" x 2 1/2"
Lancaster (6)  2 3/4" Dia.	Ribbon & Reed (7)  2 3/4" Dia.
#8 (8)  4 3/8" x 2 9/16"	Small Regular (20)  2" Dia.
<i>7/16" Thick</i>	
Oval (2)  4 1/2" x 2 1/2"	Wilshire (61)  3" x 2 1/2"
<i>1/2" Thick</i>	
Arts & Crafts Rectangular (05)  4" x 2 1/2"	

> Rosette size same as on passage sets

BRASS ROBE HOOK	Product Code
 <p data-bbox="61 751 479 783">>> Rosette options are not available for this product.</p>	2606
	Upper Hook Projection 2 5/8"
	Base Height (B) 1 3/4"
	Base Width (W) 1 1/2"
	Screw-to-Screw 1"
	Overall Height (H) 4"

BRASS DOUBLE HOOK	Product Code
 <p data-bbox="61 1386 479 1417">>> Rosette options are not available for this product.</p>	2607
	Projection 2 1/8"
	Base Height (H) 1 3/4"
	Base Width (B) 1 1/2"
	Screw-to-Screw 3/4"
	Overall Width (W) 3 1/2"

SANDCAST BRONZE DOUBLE TOWEL BAR with #1 Rosettes



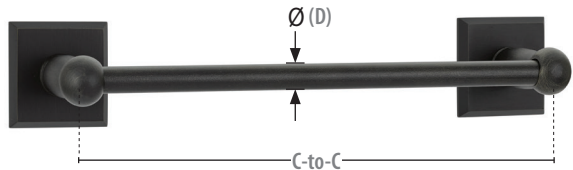
Product Code	C-to-C
23051	18"
23052	24"
23053	30"

Projection with Rosettes Shown
 5 5/16"

Diameter (D)
 5/16"

Overall Height
 4 3/4"

SANDCAST BRONZE TOWEL BAR with #6 Rosettes

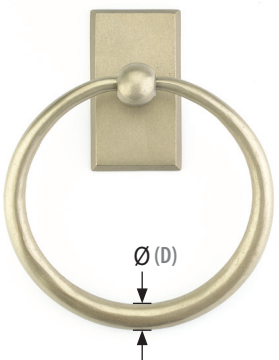


Product Code	C-to-C
23024	12"
23021	18"
23022	24"
23023	30"

Projection with Rosettes Shown
 3 3/8"

Bar Diameter (D)
 5/16"

SANDCAST BRONZE TOWEL RING with #3 Rosette




Product Code	Overall
2301	6 1/2"


Projection with Rosette Shown
 2 1/16"


Bar Diameter (D)
 3/4"

Rosettes


3/16" Thick

#1

 4 1/2" x 2 1/2"


#2

 2 3/4" Dia.

#3

 4 1/2" x 2 1/2"

1/2" Thick

#4

 4 1/2" x 2 13/16"

7/16" Thick

#6

 2 1/2" x 2 1/2"

> Please see page 15-17 for additional Rosette options and dimensions.

> Rosette size same as on passage sets

SANDCAST BRONZE PAPER HOLDER - BAR STYLE <i>with #1 Rosette</i>	Product Code	Width (W)
	2303	6 1/2"
	Projection with Rosette Shown 3"	
	Diameter (D) 3/4"	

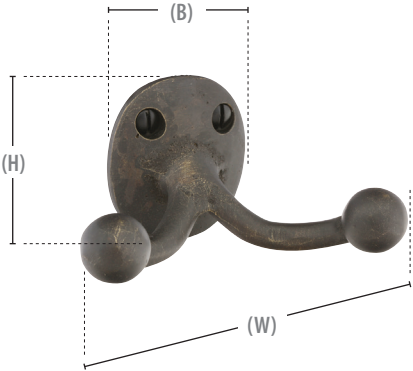
SANDCAST BRONZE PAPER HOLDER - SPRING ROD STYLE <i>with #6 Rosettes</i>	Product Code	
	2304	
	C-to-C 7 5/16"	
	Projection with Rosettes Shown 3"	

SANDCAST BRONZE SINGLE HOOK <i>with #2 Rosette</i>	Product Code	
	2308	
	Projection with Rosette Shown 2 3/4"	

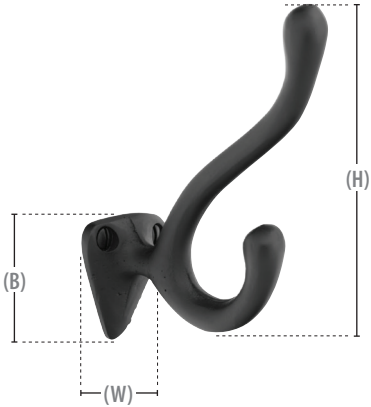
> Please see page 15-17 for additional Rosette options and dimensions.

Rosettes
<p>3/16" Thick</p> <p>#1</p> <p>4 1/2" x 2 1/2"</p>
<p>#2</p> <p>2 3/4" Dia.</p>
<p>#3</p> <p>4 1/2" x 2 1/2"</p>
<p>1/2" Thick</p> <p>#4</p> <p>4 1/2" x 2 13/16"</p>
<p>7/16" Thick</p> <p>#6</p> <p>2 1/2" x 2 1/2"</p>

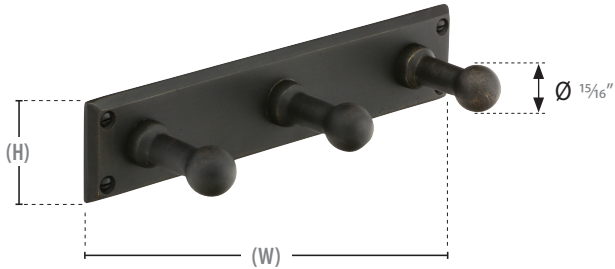
> Rosette size same as on passage sets

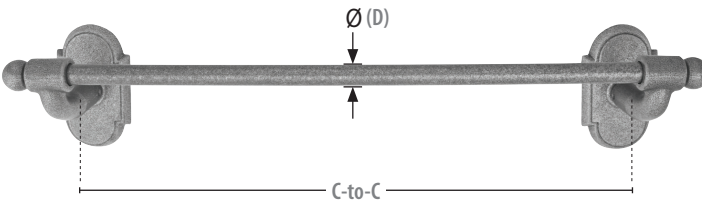
SANDCAST BRONZE DOUBLE HOOK	Product Code
	2306
	Projection 2"
	Base Height (H) 1 3/4"
	Base Width (B) 1 1/2"
	Screw-to-Screw 3/4"
	Overall Width (W) 3 5/16"

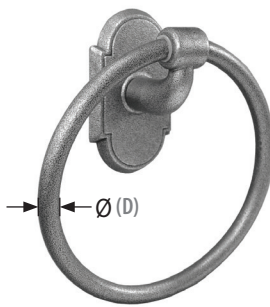
>> Rosette options are not available for this product.

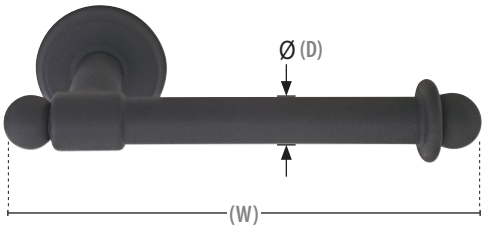
SANDCAST BRONZE ROBE HOOK	Product Code
	86106
	Upper Hook Projection 2 1/2"
	Base Height (B) 1 1/2"
	Base Width (W) 1 1/4"
	Screw-to-Screw 13/16"
	Overall Height (H) 3 7/8"

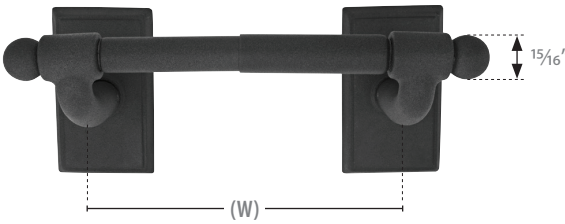
>> Rosette options are not available for this product.

SANDCAST BRONZE 3 HOOKS WITH RECTANGULAR PLATE	Product Code
	2307
	Projection 2 1/2"
	Height (H) 2"
	Width (W) 9 1/2"

WROUGHT STEEL TOWEL BAR with #1 Rosettes	Product Code	C-to-C
	25024	12"
	25021	18"
	25022	24"
	25023	30"
Projection with Rosettes Shown		3 7/16"
Diameter (D)		5/8"

WROUGHT STEEL TOWEL RING with #1 Rosette	Product Code	Overall	
	2501	6 1/2"	
	Projection with Rosette Shown		2 5/8"
	Bar Diameter (D)		1/2"

WROUGHT STEEL PAPER HOLDER - BAR STYLE with #2 Rosette	Product Code	Width (W)	
	2503	8 1/8"	
	Projection with Rosette Shown		3 3/8"
	Bar Diameter (D)		3/4"

WROUGHT STEEL PAPER HOLDER - SPRING ROD STYLE with #3 Rosettes	Product Code	Width (W)	
	2504	9 7/16"	
	Projection with Rosettes Shown		3 3/8"

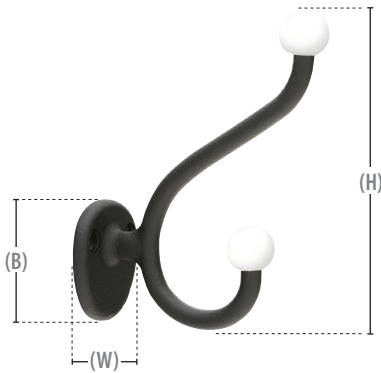
Rosettes
<p>3/8" Thick</p> <p>#1</p>  <p>4 3/8" x 2 9/16"</p>
<p>#2</p>  <p>2 5/8" Dia.</p>
<p>#3</p>  <p>4 3/8" x 2 9/16"</p>

> Rosette size same as on passage sets

> Please see page 15-17 for additional Rosette options and dimensions.

WROUGHT STEEL ROBE HOOK

Product Code



25050

Upper Hook Projection

3"

Base Height (B)

1 1/2"

Base Width (W)

1 1/4"

Screw-to-Screw

1 3/16"

Overall Height (H)

3 13/16"

>> Rosette options are not available for this product.

TUSCANY BRONZE DOUBLE TOWEL BAR with #14 Rosettes

Product Code	C-to-C
27081	18"
27082	24"
27083	30"

Projection with Rosettes Shown
 5 3/8"

Diameter (D)
 7/16"

TUSCANY BRONZE TOWEL BAR with #12 Rosettes

Product Code	C-to-C
27024	12"
27021	18"
27022	24"
27023	30"

Projection with Rosettes Shown
 3 3/8"

Bar Diameter (D)
 7/16"

TUSCANY BRONZE TOWEL RING with #15 Rosette

Product Code	Overall
2701	6 1/2"

Projection with Rosette Shown
 2 5/8"

Bar Diameter (D)
 7/16"

Rosettes

3/16" Thick

#11

 4 1/2" x 2 1/2"

#12

 2 5/8" Dia.

#14


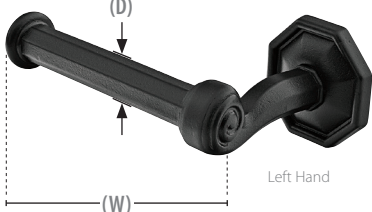
 4 1/2" x 2 3/8"

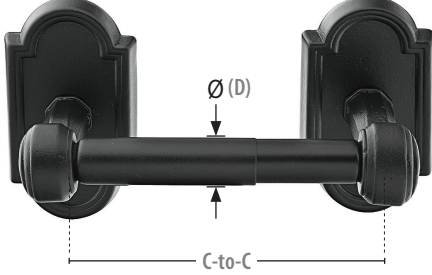
#15


 2 1/2" x 2 1/2"

> Rosette size same as on passage sets

> Please see page 15-17 for additional Rosette options and dimensions.

TUSCANY BRONZE PAPER HOLDER - BAR STYLE with #15 Rosette		Product Code	Width (W)
 <p>Right Hand</p>	 <p>Left Hand</p>	2705RH	6 3/8"
		2705LH	6 3/8"
		Projection with Rosette Shown	3"
		Dimension (D)	1 3/16"

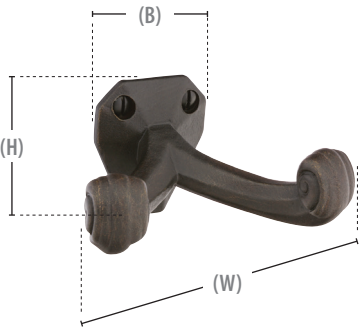
TUSCANY BRONZE PAPER HOLDER - SPRING ROD STYLE with #11 Rosettes		Product Code	C-to-C
		2704	7 1/8"
		Projection with Rosettes Shown	3"
		Diameter (D)	1 3/16"

TUSCANY BRONZE SINGLE HOOK with #12 Rosette		Product Code	
		2706	
		Projection with Rosette Shown	2 3/4"
		Dimension (D)	1"

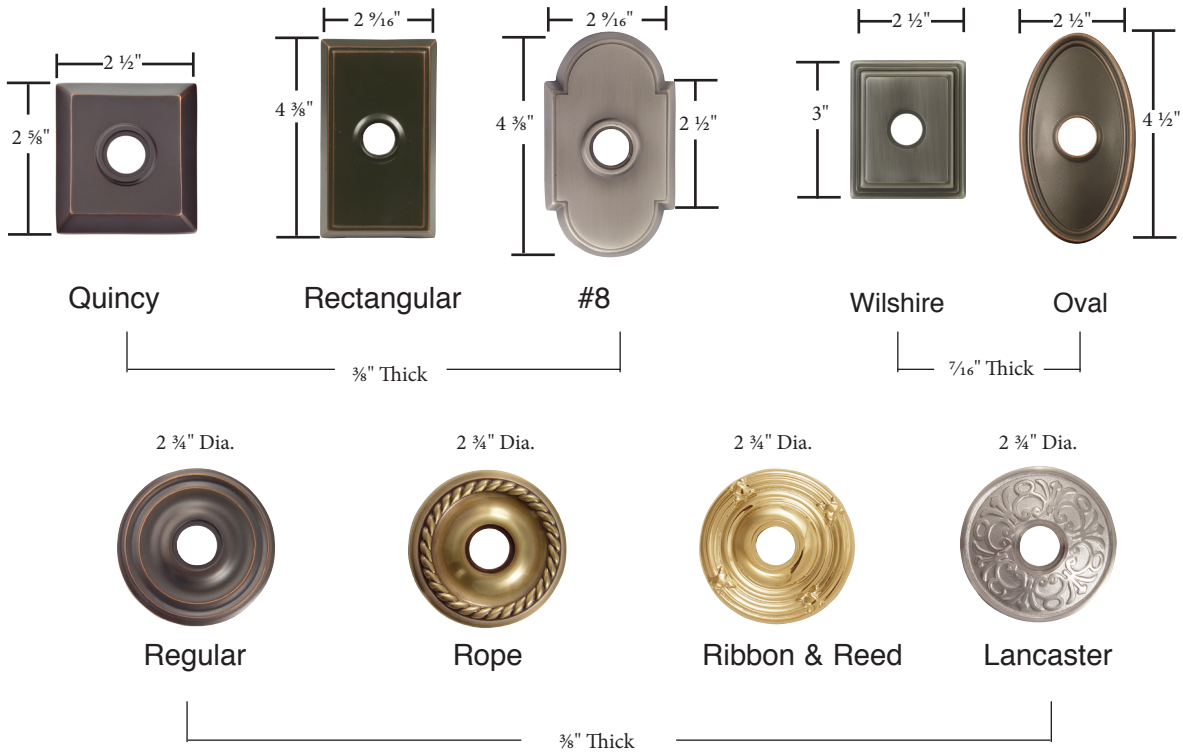
Rosettes
<p>3/16" Thick</p> <p>#11</p>  <p>4 1/2" x 2 1/2"</p>
<p>#12</p>  <p>2 5/8" Dia.</p>
<p>#14</p>  <p>4 1/2" x 2 3/8"</p>
<p>#15</p>  <p>2 1/2" x 2 1/2"</p>

> Rosette size same as on passage sets

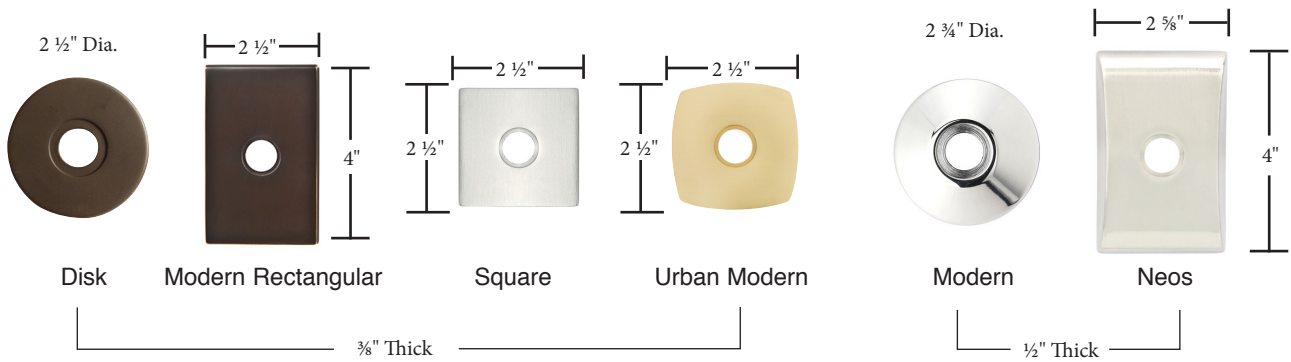
> Please see page 15-17 for additional Rosette options and dimensions.

TUSCANY BRONZE DOUBLE HOOK	Product Code
 <p data-bbox="61 760 477 785">>> Rosette options are not available for this product.</p>	2707
	Projection 2 ¼"
	Base Height (H) 1 ¾"
	Base Width (B) 1 ½"
	Screw-to-Screw 7/16"
	Overall Width (W) 3 ½"

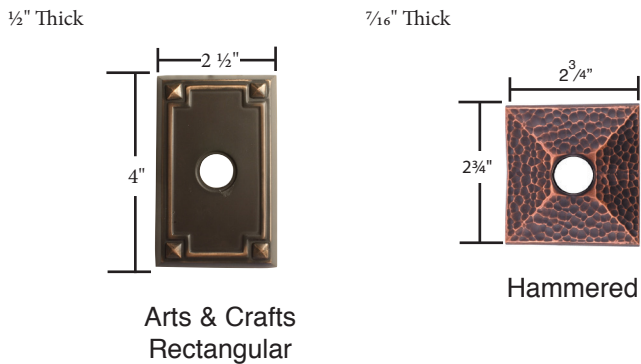
Solid Brass



Modern Brass



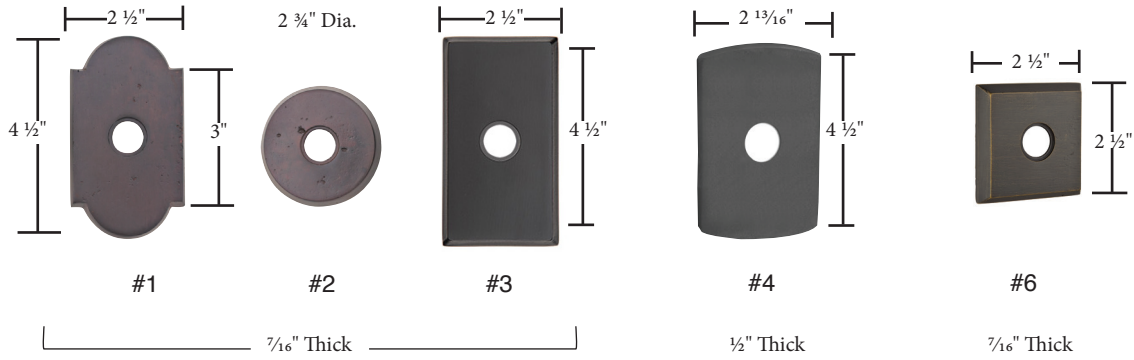
Arts & Crafts Brass



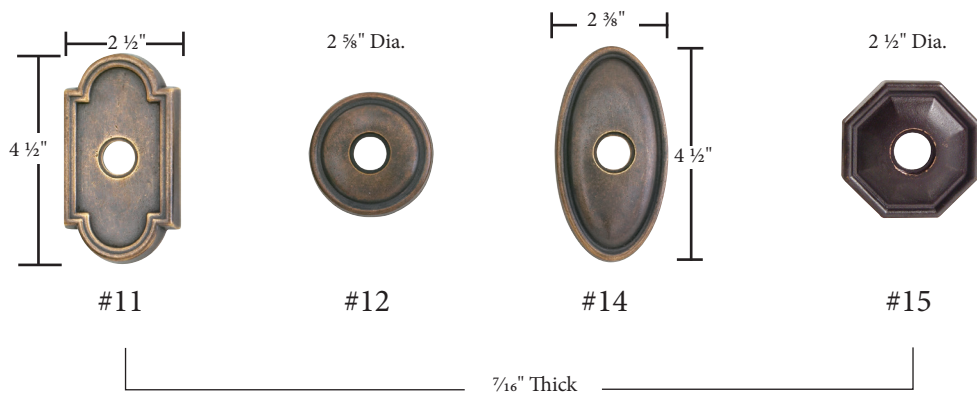
Porcelain



Sandcast Bronze

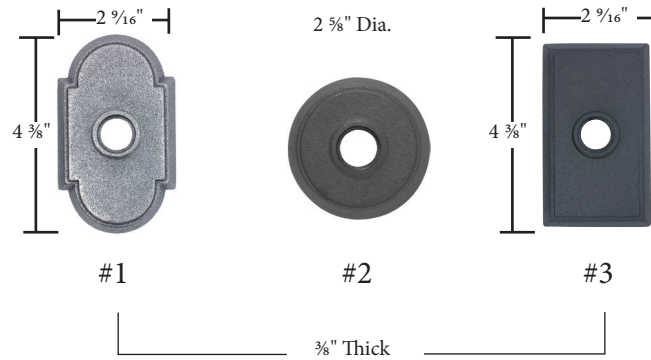


Lost Wax Cast Bronze

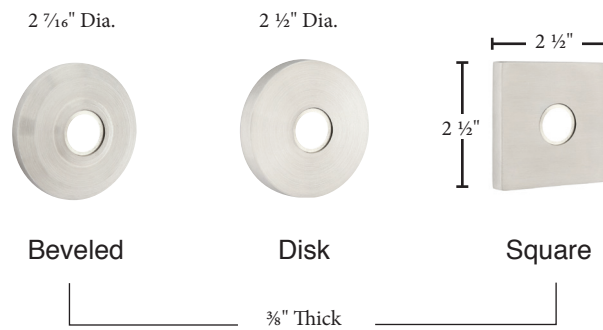


- Same dimensions for doorbell buttons
- Screw-to-Screw for rosette/doorbell buttons 1 5/8"

Wrought Steel



Stainless Steel



- Same dimensions for doorbell buttons
- Screw-to-Screw for rosette/doorbell buttons 1 5/8"