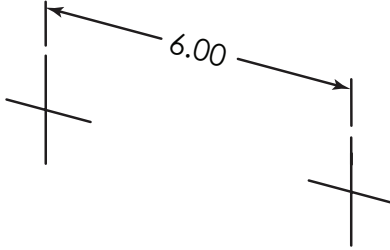


# Toilet Paper Holder with Spring Rod Installation Guide

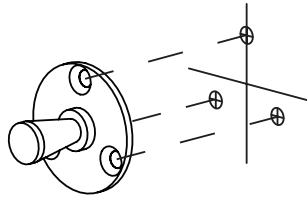
## 1 Mark center of mounting plates

Make two marks on wall to locate center of mounting plates. Center to center spacing for mounting plates is 6 inches.



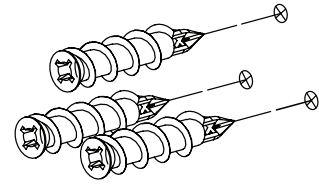
## 2 Mark hole locations

Using the mounting plate, mark three hole locations per mounting plate.



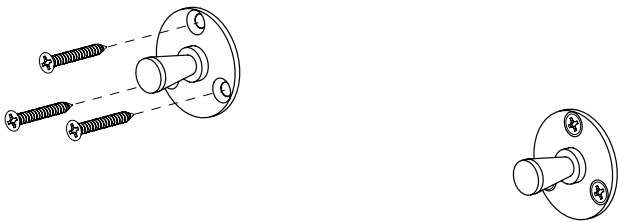
## 3 Install Screw Anchors

Use a screw driver to install six screw anchors into the wall (3 per plate)



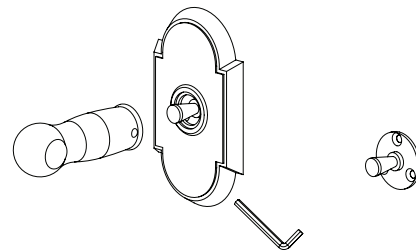
## 4 Install Mounting Plate

Install mounting plates on top of the Screw Anchors. Secure using screws provided.



## 5 Install trim plate and post

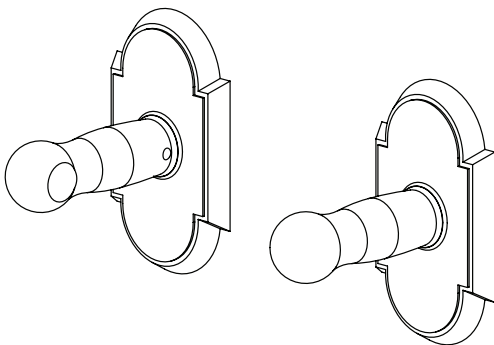
Slip trim plate and post over mounting plate stud. Tighten set screw at the base of post with Allen Wrench provided.



Trim Plates vary depending on style

## 6 Install trim plate and post cont.

Repeat step 5 for other trim plate and post.



## 7 Install Paper Holder Spring Rod

