



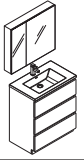
# SENZA

## **INSTALLATION GUIDE**

FVN9330

## CONTENTS:

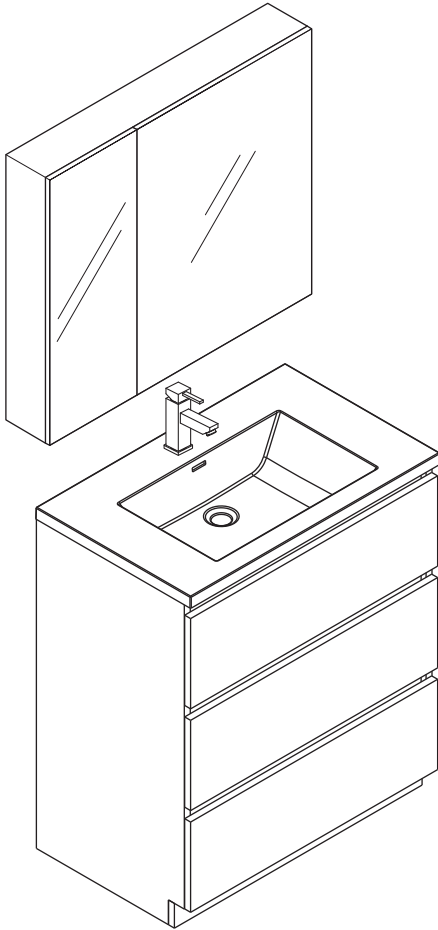
Mirror.....	FMC8090.....	PAGE 3
Cabinet.....	FCB9330.....	PAGE 5
Sink.....	FVS9330WH.....	PAGE 5



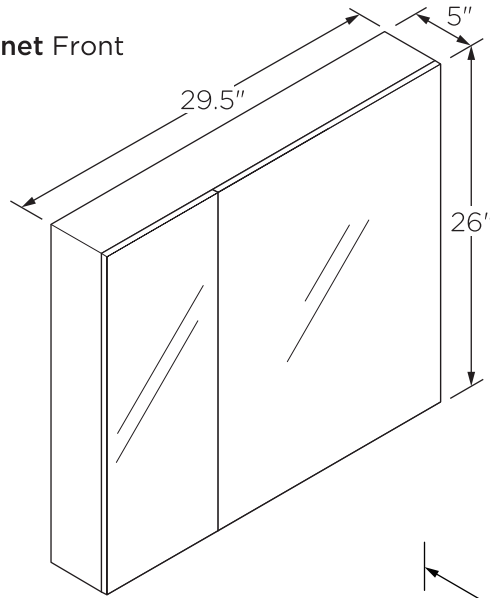
**FVN9330**  
**SENZA**  
**INSTALLATION GUIDE**



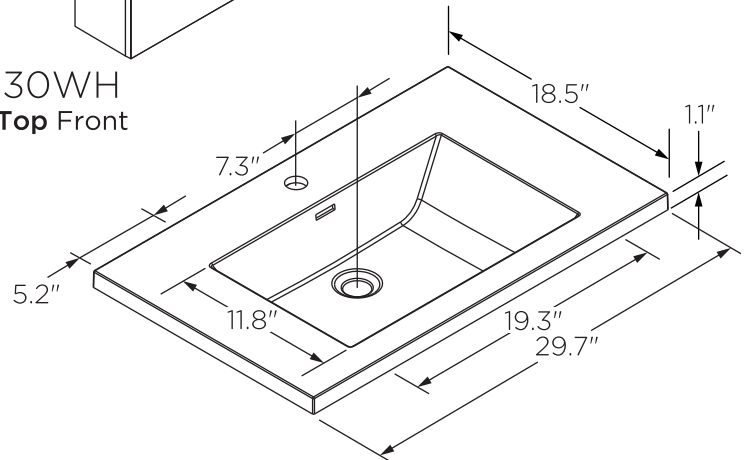
**FVN9330**  
**Vanity Front**



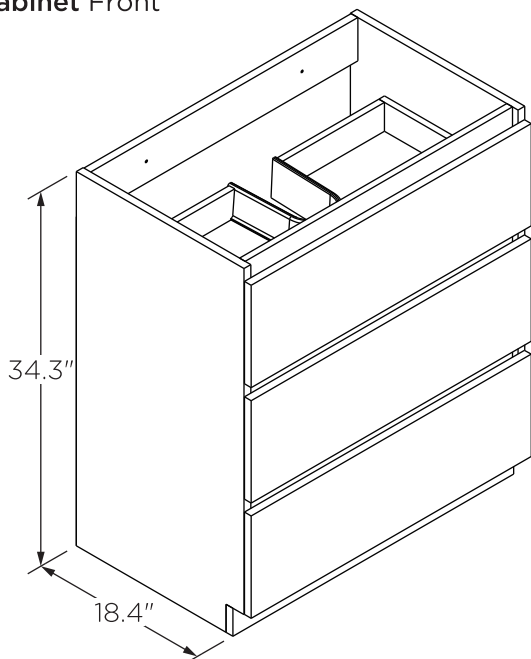
**FMC8090**  
**Medicine Cabinet Front**



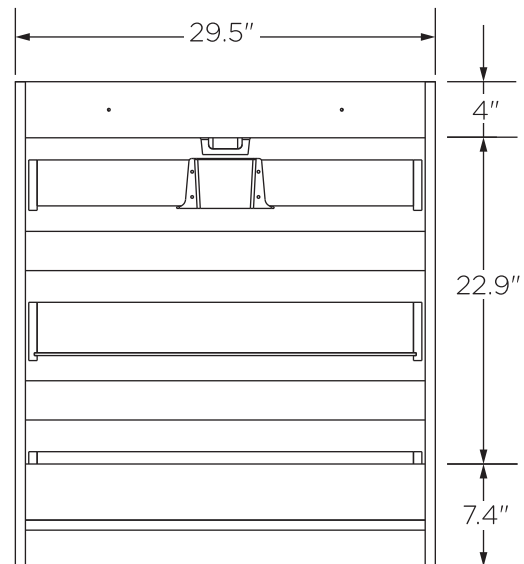
**FVS9330WH**  
**Counter Top Front**



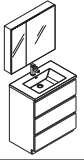
**FCB9330**  
**Cabinet Front**



**FCB9330**  
**Cabinet Front**



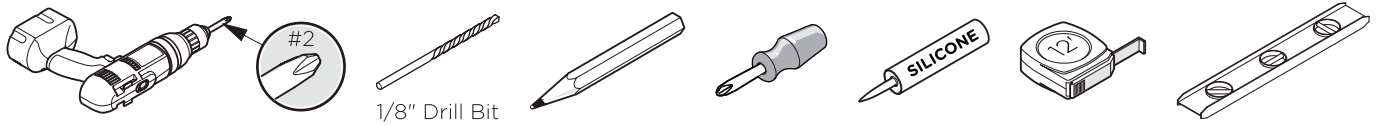
**NOTE:** All dimensions & specifications are approximate and subject to change without notice.



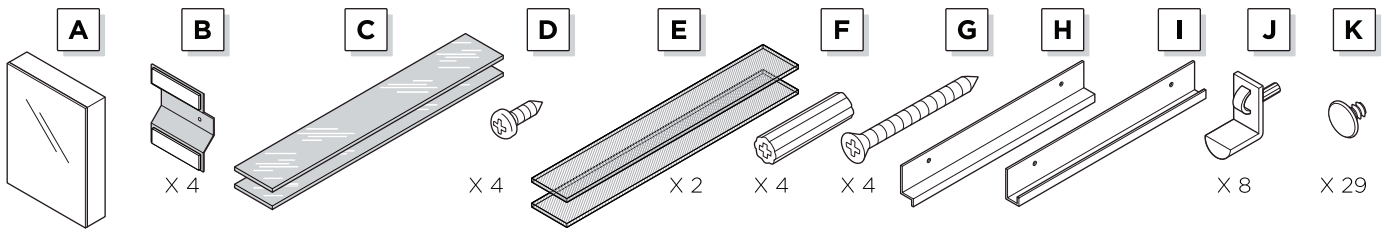
# FVN9330 SENZA INSTALLATION GUIDE



## TOOLS FOR ASSEMBLY



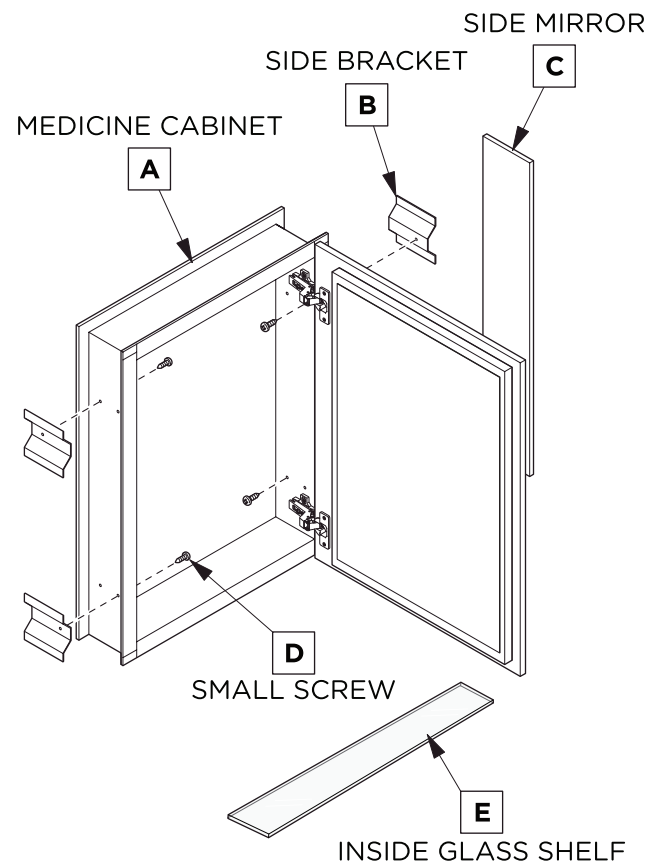
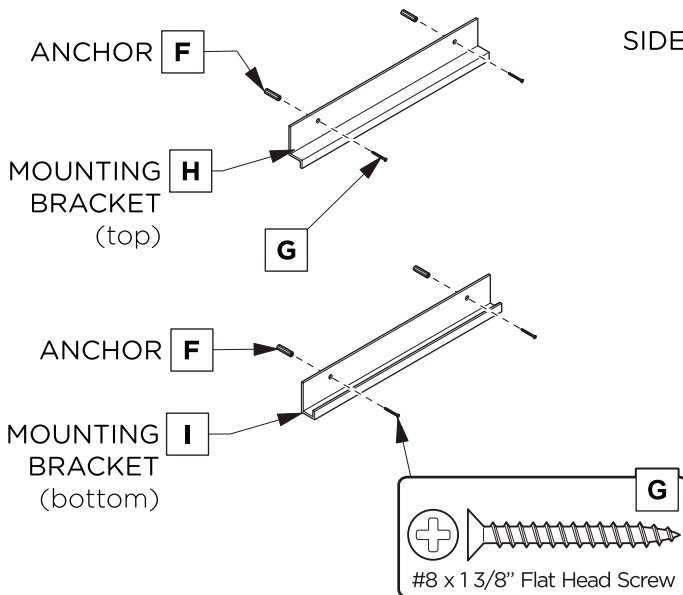
## SUPPLIED PARTS



Your item may appear slightly different from the illustration

### MEDICINE CABINET DIMENSIONS

Model SKU	Width <b>A</b>	Height <b>B</b>	Depth
<b>FMC8058</b>	19.5"	26"	5"
<b>FMC8090</b>	29.5"	26"	5"
<b>FMC8010</b>	39.5"	26"	5"



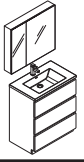
#### DANGER:

Risk of electronic shock. Avoid existing electrical wiring or plumbing when mounting this product to the wall.



#### WARNING:

Risk of property damage. Use anchors rated for the loaded weight of the product. Refer to the anchor manufacturer's instructions.



**SURFACE-MOUNT INSTALLATION**

**1**

Level and mark the medicine cabinet's location on the wall from point **a** to point **b**.

**2**

**IMPORTANT:** Consult an expert for the proper screws/bolts to use when attaching to various constructions. Screws provided **do not** attach to all wall construction types. Anchors are not required if brackets are installed in stud.

Level and mark.

Drill the holes in the wall with a 3/16" drill bit.

Insert the anchors in the holes.

Attach bottom bracket to the wall.

**3**

With assistance, rest the medicine cabinet on the bottom mounting bracket and hold it in place.

**4**

Hold the medicine cabinet (**A**) while it's placed on the bottom bracket, then secure by fitting the top bracket (**H**) on top of the medicine cabinet, and attach the top bracket (**H**) to the wall.

**5**

Align mirrored side panels (**C**) to each side of the medicine cabinet.

**6**

Attach mirrored side panels to the medicine cabinet using a screwdriver and provided screws (**D**).

**7**

Push and twist the snap-in pins (**J**) into place.

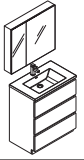
**8**

Fill remaining holes with the plugs (**K**).

**9**

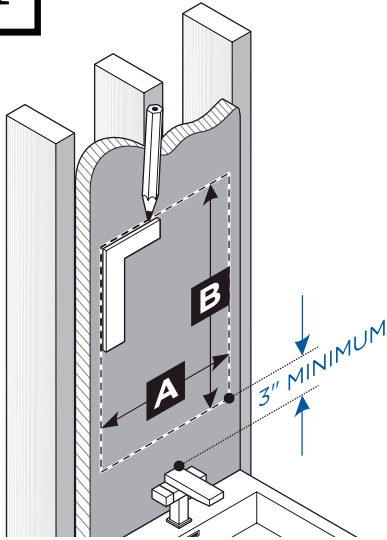
Push a side of the shelf (**E**) into left or right pins (**J**).

Snap the shelf (**E**) down into the opposite side.



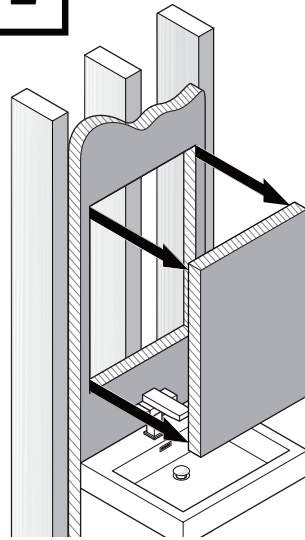
**RECESS-MOUNT INSTALLATION**

**1**



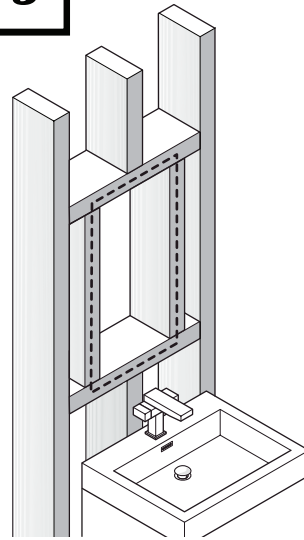
Draw the perimeter of the medicine cabinet on the wall.

**2**



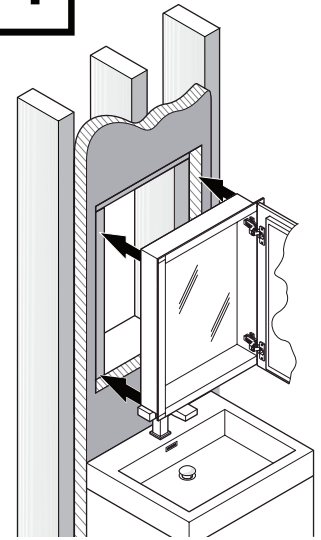
Place and hold the medicine cabinet in the cutout opening.

**3**



Frame the cutout opening.

**4**

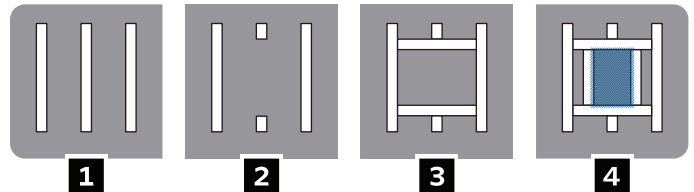


Cut the marked perimeter with appropriate tool.

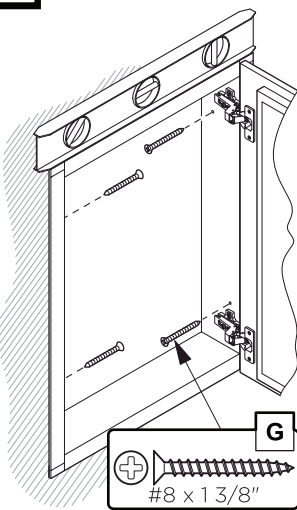
**ROUGH IN DIMENSIONS**

Model SKU	Width <b>A</b>	Height <b>B</b>	Depth
<b>FMC8058</b>	19.5"	26"	5"
<b>FMC8090</b>	29.5"	26"	5"
<b>FMC8010</b>	39.5"	26"	5"

**4 STEPS TO FRAME THE CUTOUT OPENING**

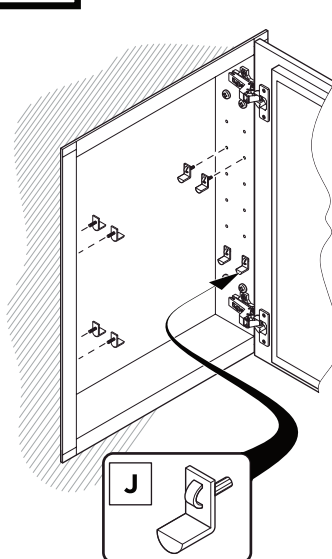


**5**



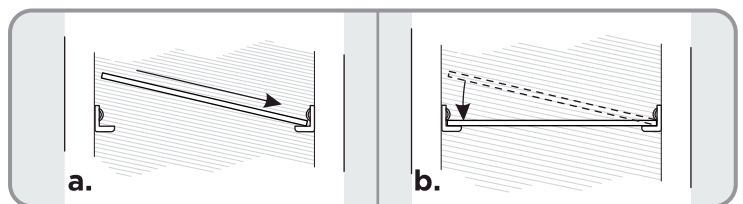
Level, then secure the medicine cabinet with the screws (**G**) through the mounting holes into the framing studs.

**6**



Choose the position for your shelves then push and twist the snap-in pins (**J**) into place.

**7**



**a.** Push a side of the glass shelf (**C**) into left or right pins (**J**).

**b.** Snap the glass shelf (**C**) into the opposite side.

**c.** Fill remaining holes with the plugs (**K**).

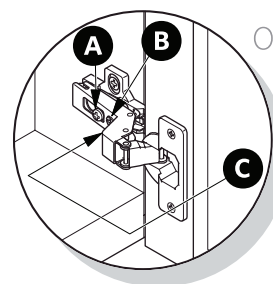
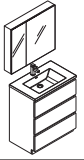


Illustration A.

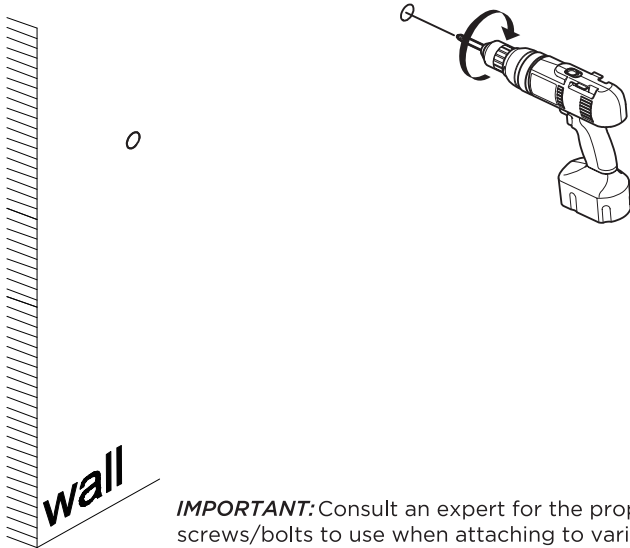
**OPTIONAL DOOR ADJUSTMENT:**

- A** This screw allow you to adjust pitch side to side.
- B** This screw releases cabinet's door and allows up and down adjustment.
- C** This screw allow you to adjust the gap between doors.



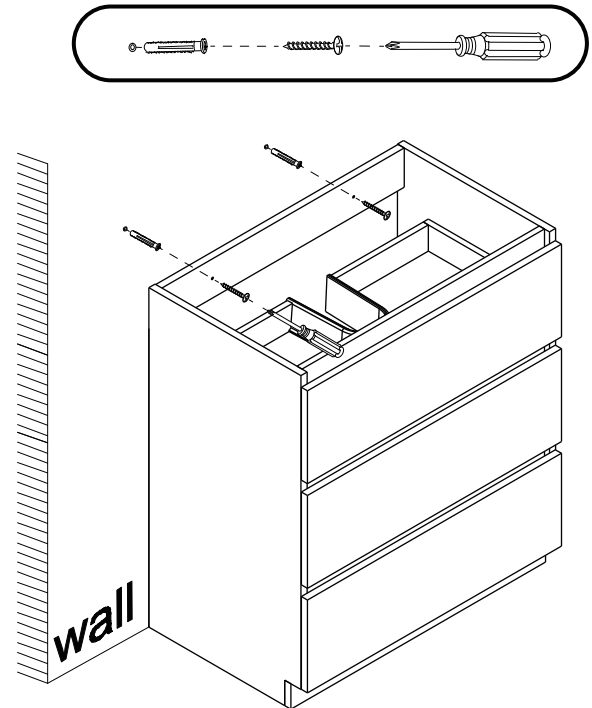
## CABINET INSTALLATION

**1** Drill holes and insert the dowels.

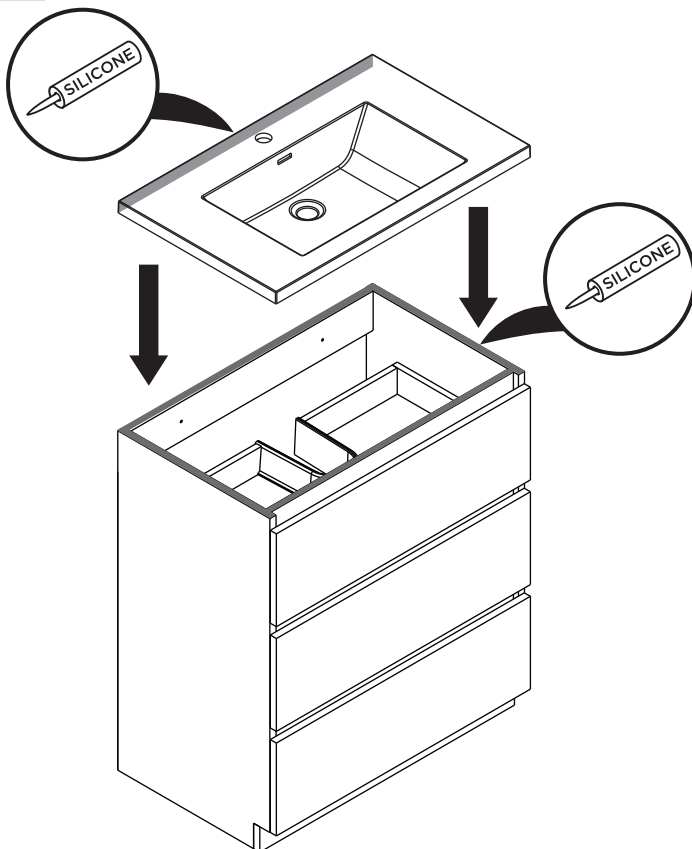


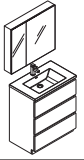
**IMPORTANT:** Consult an expert for the proper screws/bolts to use when attaching to various constructions. Screws provided do not attach to all wall construction types. Anchors are not required if brackets are installed in stud.

**2** Mark anchor mounting hole locations on wall as shown. Drill holes in the finished wall as required.



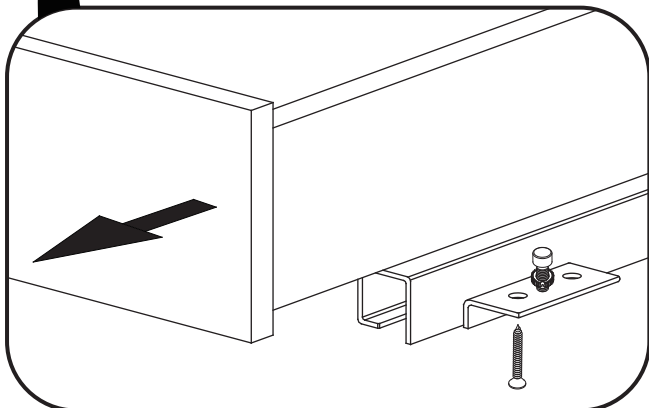
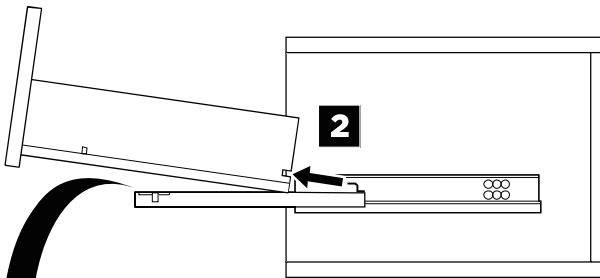
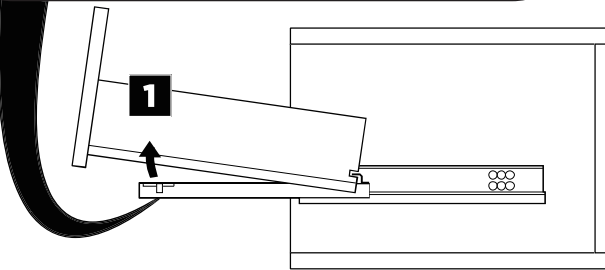
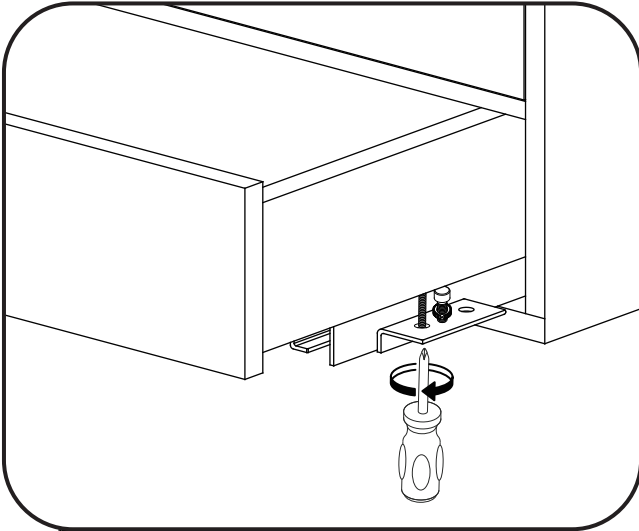
**3** Apply silicone and install sink.



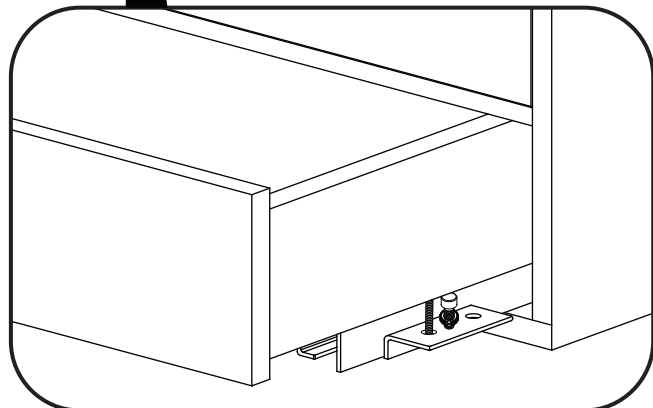
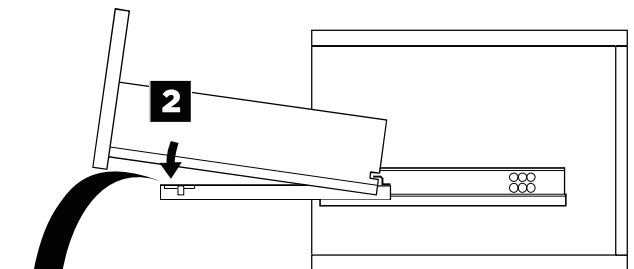
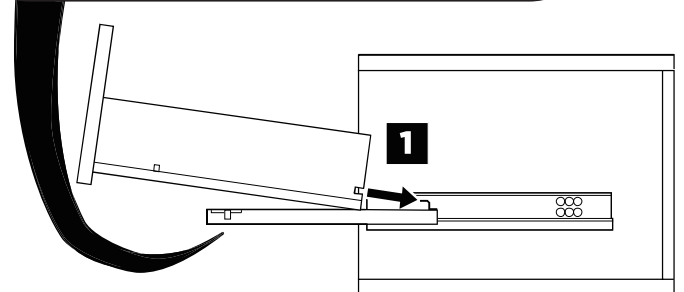
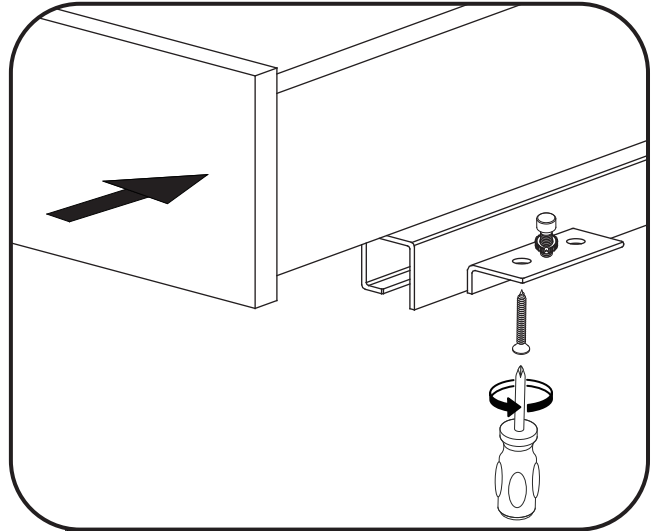


## DRAWER REMOVAL & INSTALLATION

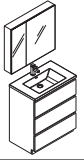
### REMOVAL



### INSTALLATION

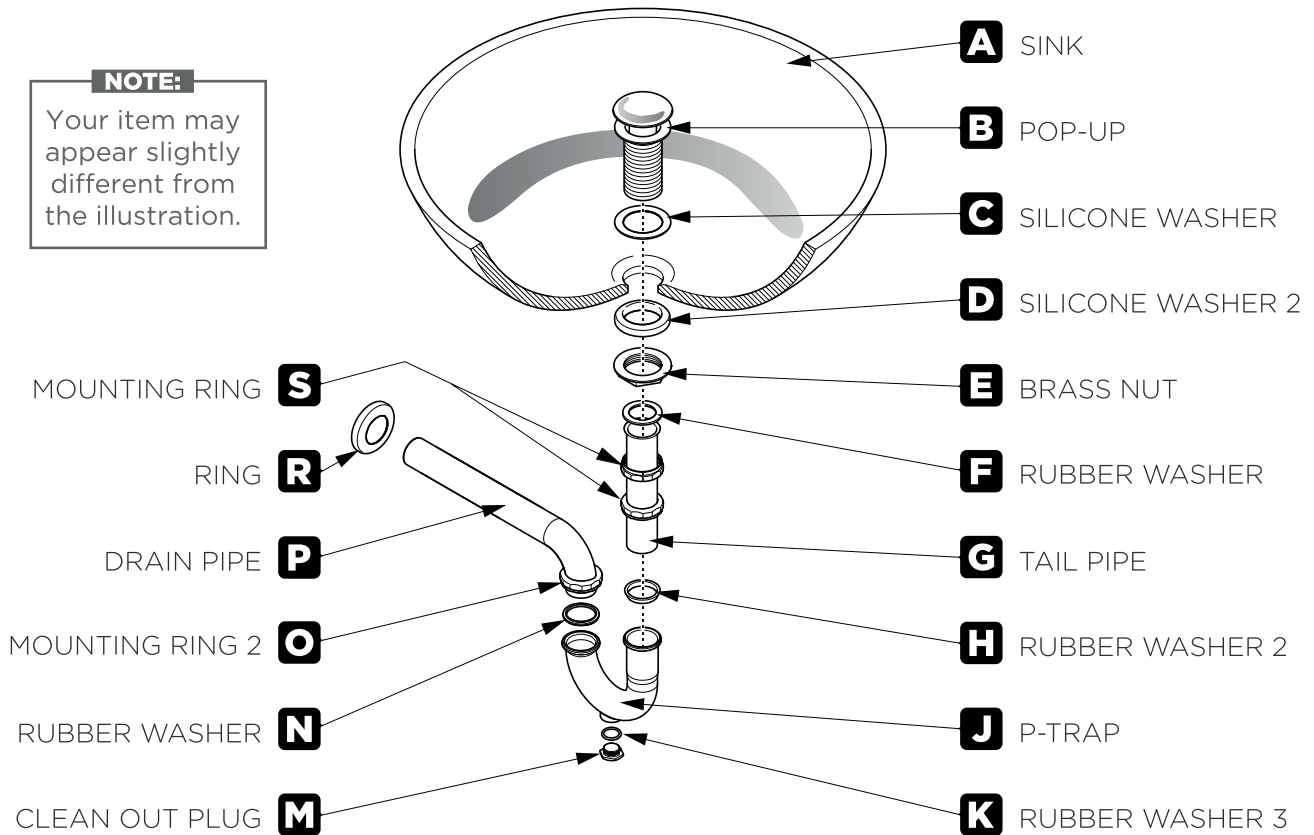






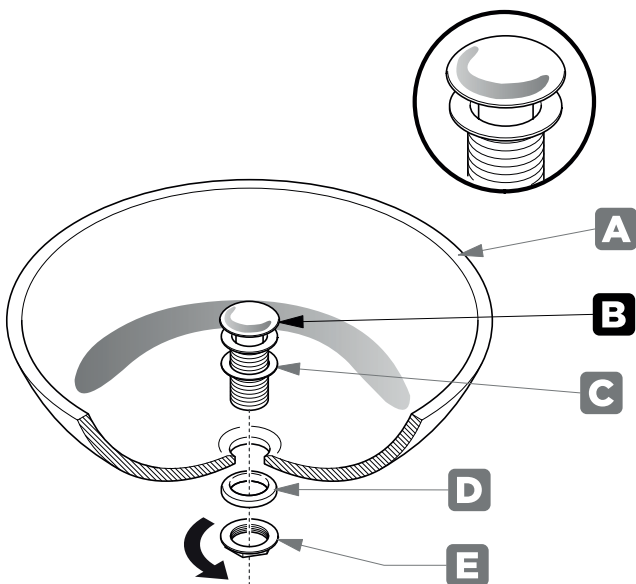
**P-TRAP AND POP-UP INSTALLATION INSTRUCTIONS**

**NOTE:**  
Your item may appear slightly different from the illustration.



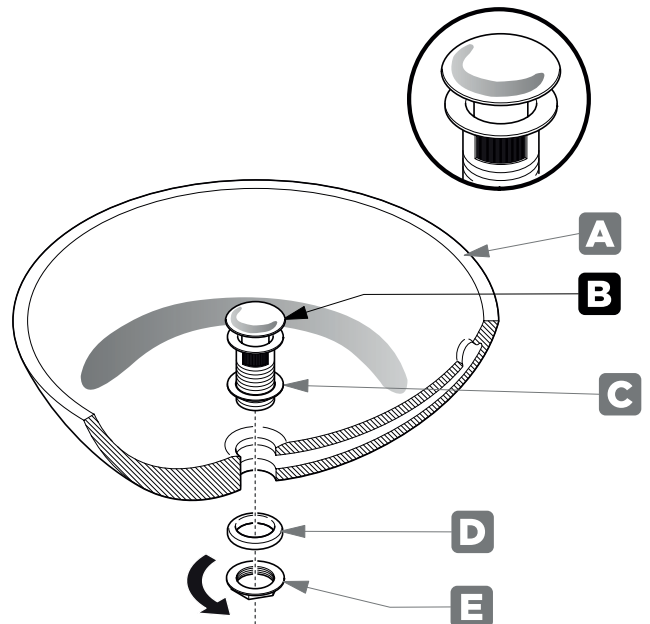
**POP-UP INSTALLATION INSTRUCTIONS**

**FOR SINKS**  
WITHOUT OVERFLOW

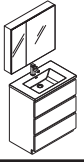


OR

**FOR SINKS**  
WITH OVERFLOW

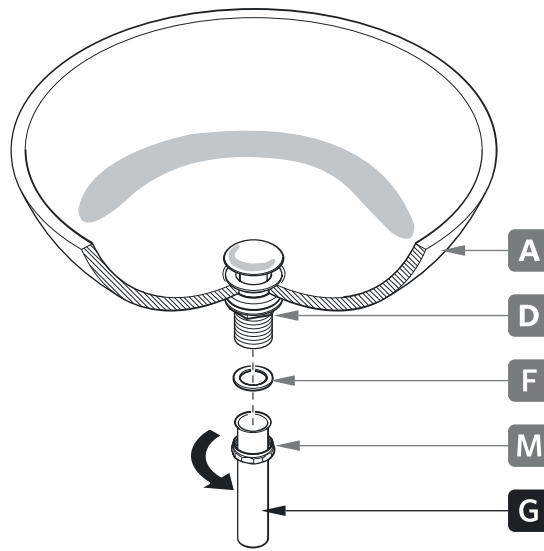






## P-TRAP INSTALLATION

**1** Install tail pipe (G)



**2** Install p-trap (J)

