



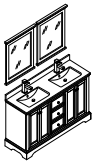
# WINDSOR

## INSTALLATION GUIDE

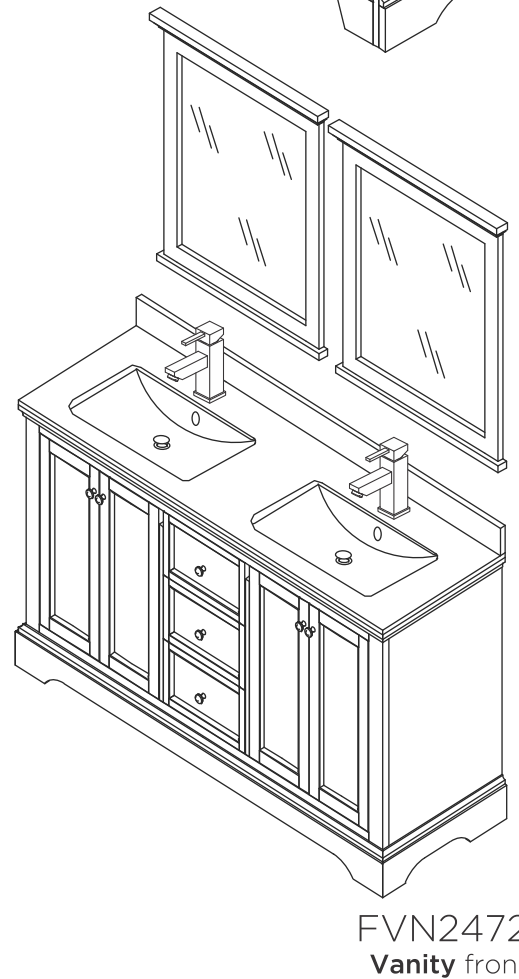
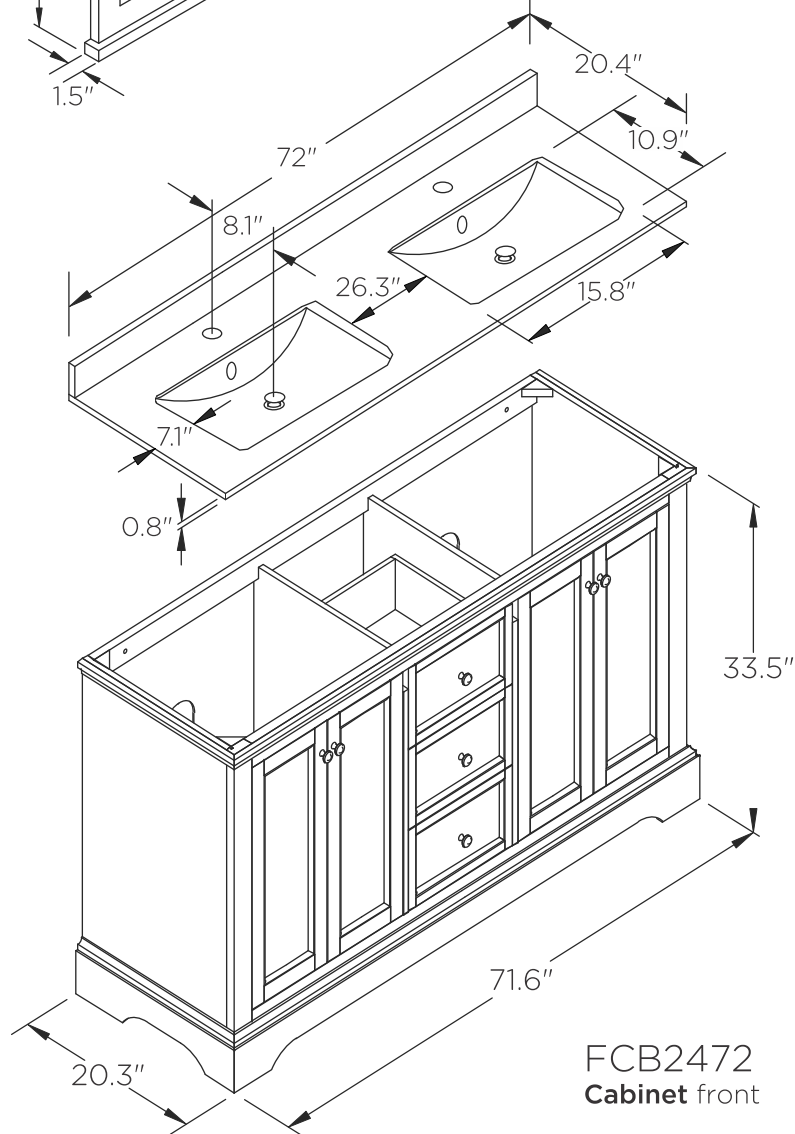
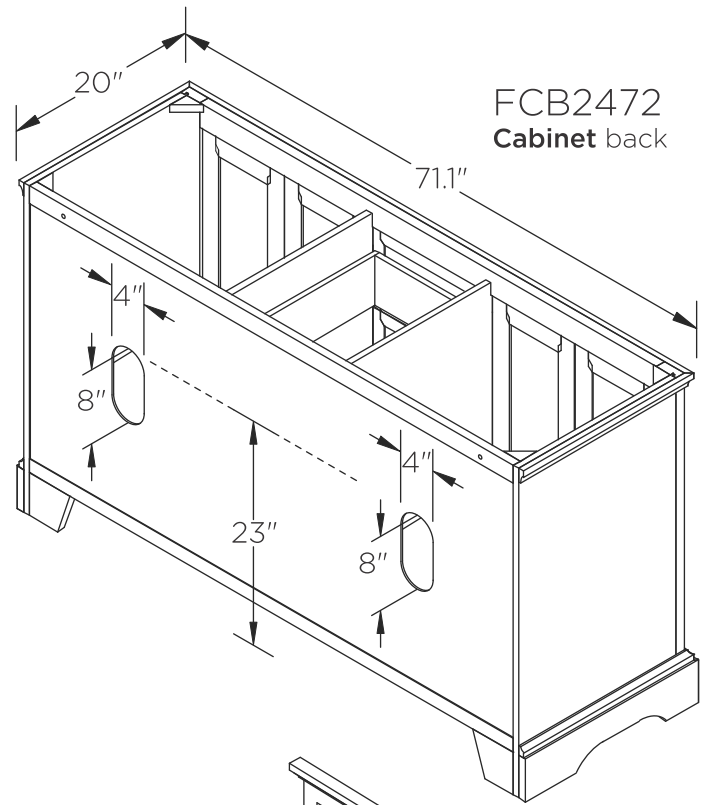
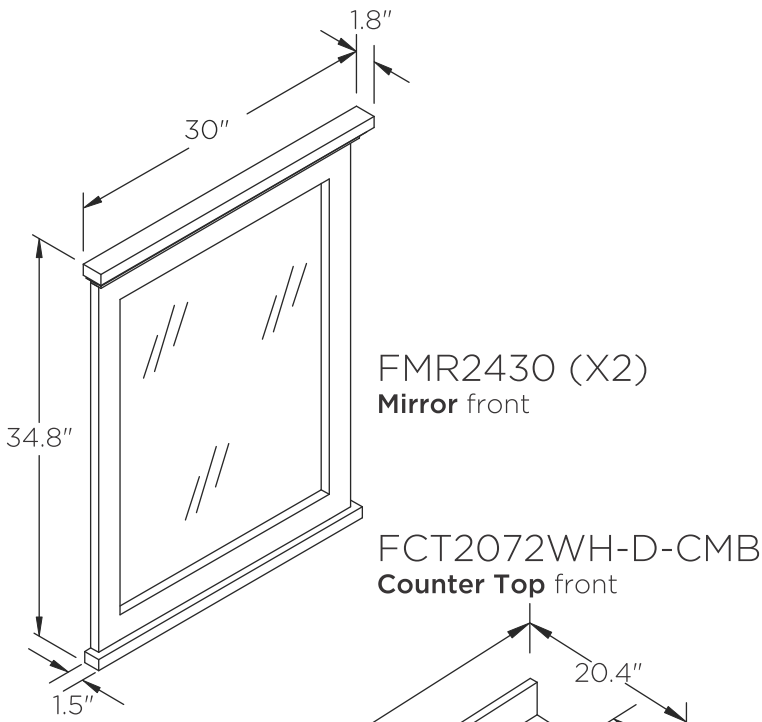
# FVN2472

## CONTENTS:

Mirror .....	FMR2430 .....	PAGE <b>2</b>
Cabinet .....	FCB2472 .....	PAGE <b>3</b>
Sink .....	FCT2072WH-D-CMB .....	PAGE <b>3</b>



# FVN2472 WINDSOR INSTALLATION GUIDE



**NOTE:** All dimensions & specifications are approximate and subject to change without notice.

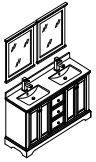


**FVN2472**

**WINDSOR**

**INSTALLATION GUIDE**

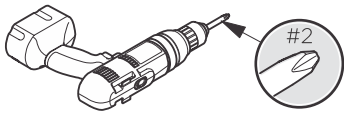
PAGE 1



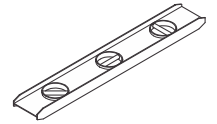
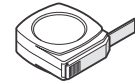
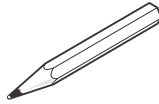
# FVN2472 WINDSOR INSTALLATION GUIDE



## TOOLS FOR ASSEMBLY

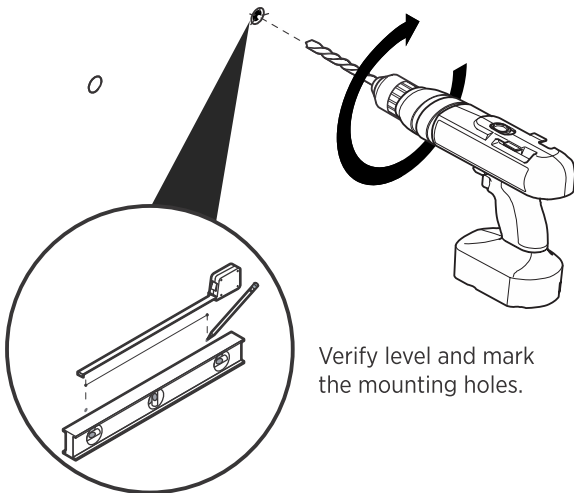


1/4" & 3/8" Drill Bit



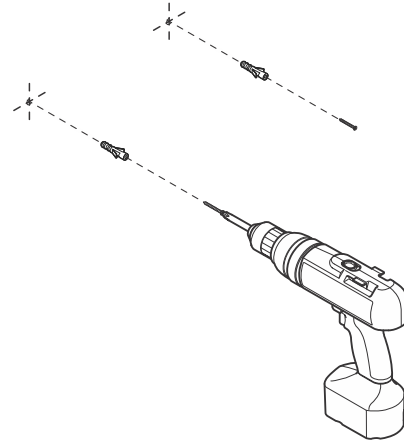
## MIRROR INSTALLATION

- 1** Measure distance between the holes and mark it on the wall using a level.



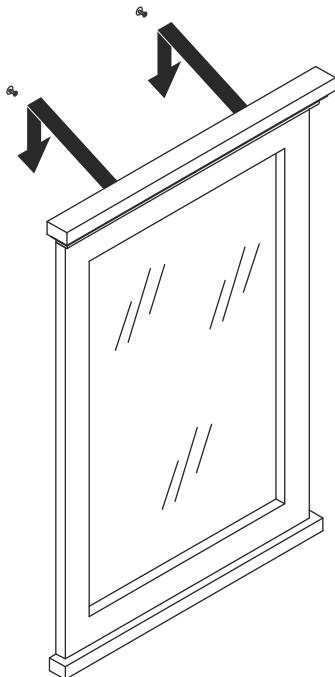
Verify level and mark the mounting holes.

- 2** Press the anchors into the holes.

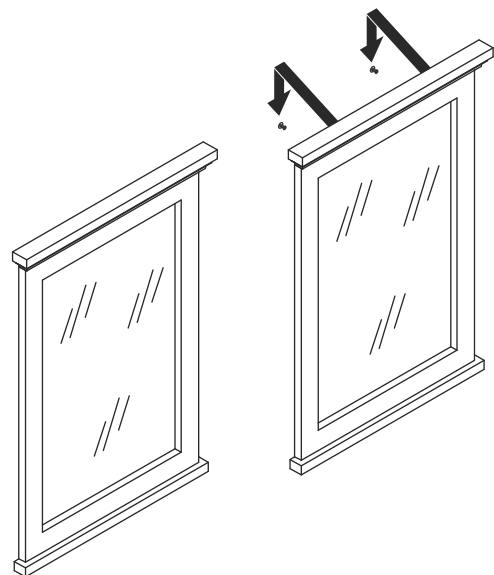


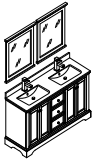
**IMPORTANT:** Consult an expert for the proper screws/bolts to use when attaching to various constructions. Screws provided **do not** attach to all wall construction types. Anchors are not required if brackets are installed in stud.

- 3** Hang mirror on the screws.



- 4** Repeat the step 1 to the step 3 for the second mirror.



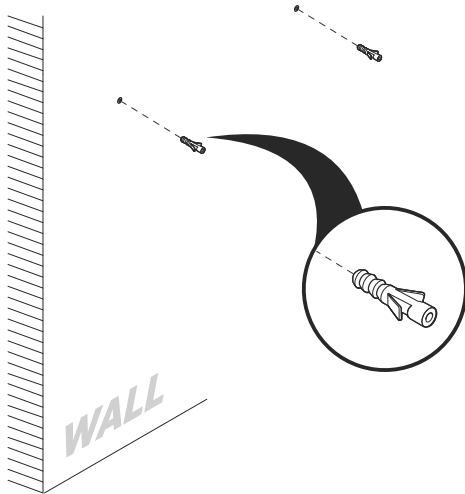


# FVN2472 WINDSOR INSTALLATION GUIDE



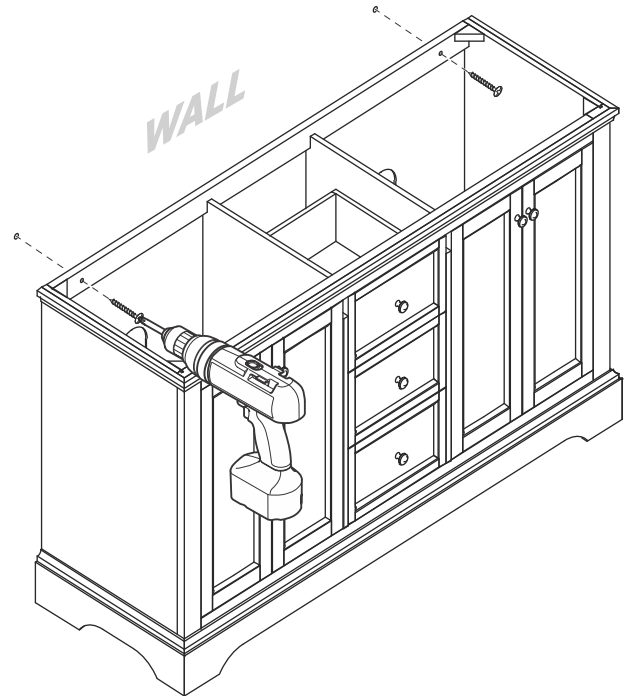
## CABINET INSTALLATION

- 1** Drill holes in the wall and insert the anchors.

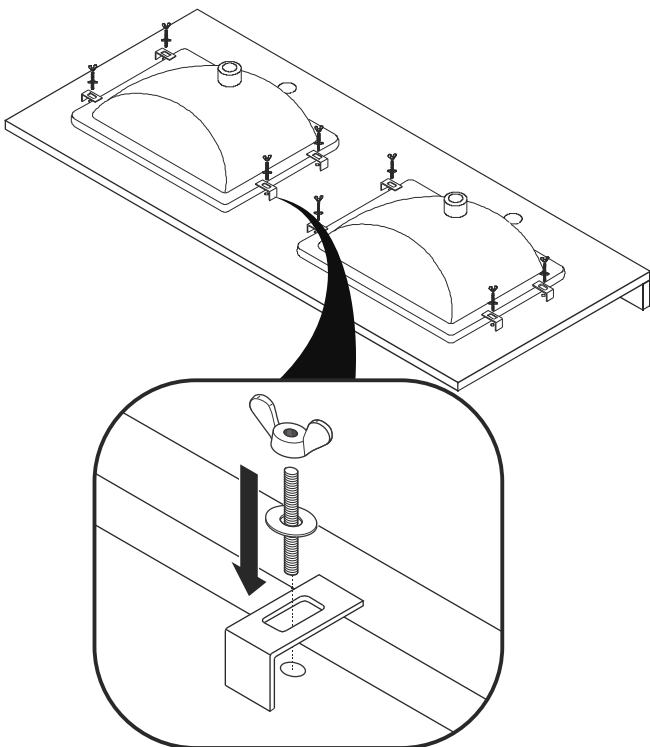


**IMPORTANT:** Consult an expert for the proper screws/bolts to use when attaching to various constructions. Screws provided do not attach to all wall construction types. Anchors are not required if brackets are installed in stud.

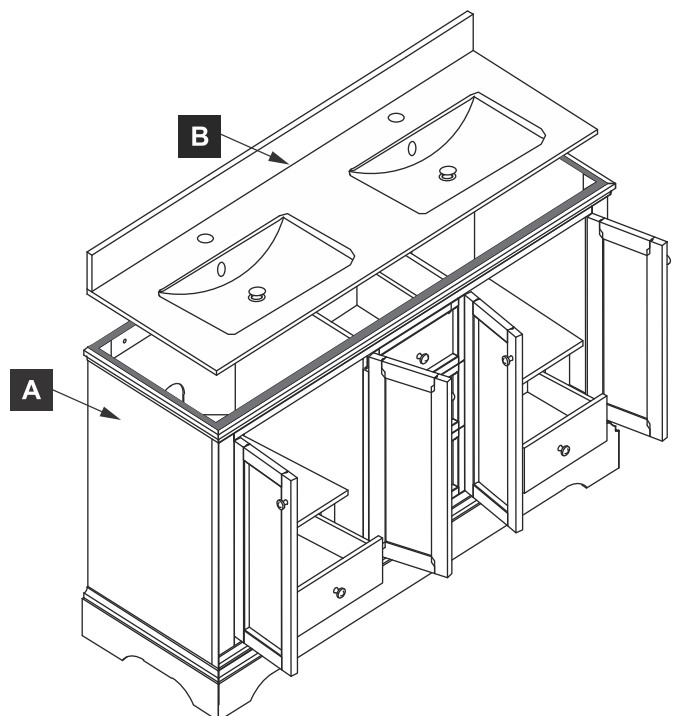
- 2** Mark anchor mounting hole locations on the wall as shown.



- 3** Flip counter top upside down and attach sink to it using provided brackets & screws.



- 4** Apply silicone to the top of the cabinet (A) and place counter top with sink (B) already attached to it.

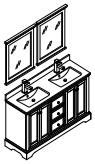


**FVN2472**

**WINDSOR**

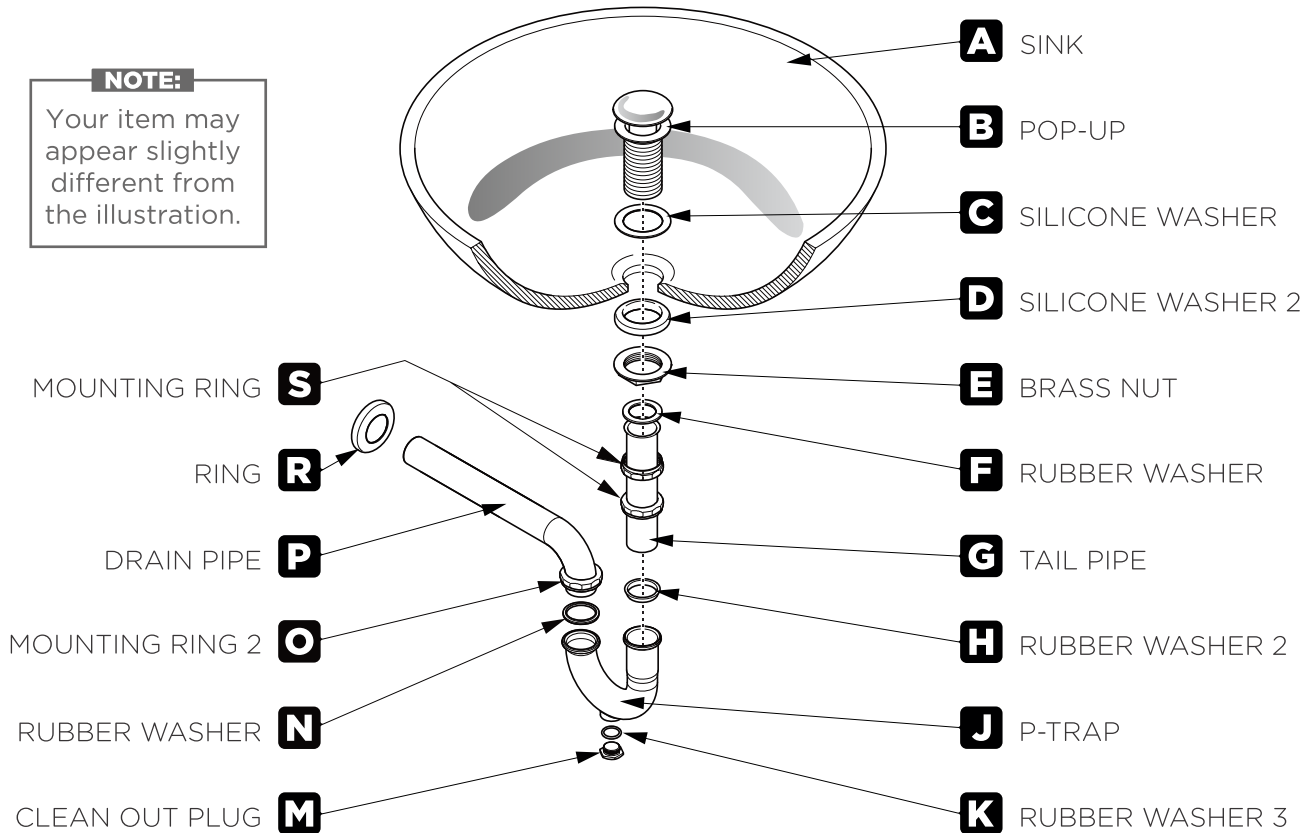
**INSTALLATION GUIDE**

PAGE 3



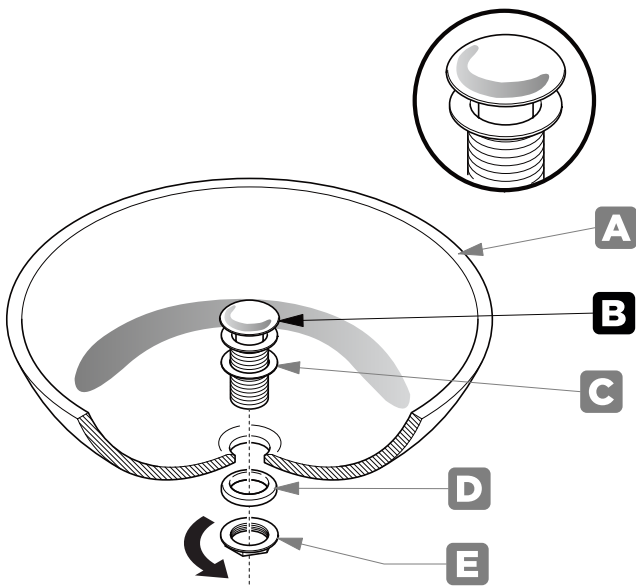
**P-TRAP & POP-UP INSTALLATION INSTRUCTIONS**

**NOTE:**  
Your item may appear slightly different from the illustration.



**POP-UP INSTALLATION INSTRUCTIONS**

**FOR SINKS WITHOUT OVERFLOW**



**OR**

**FOR SINKS WITH OVERFLOW**

