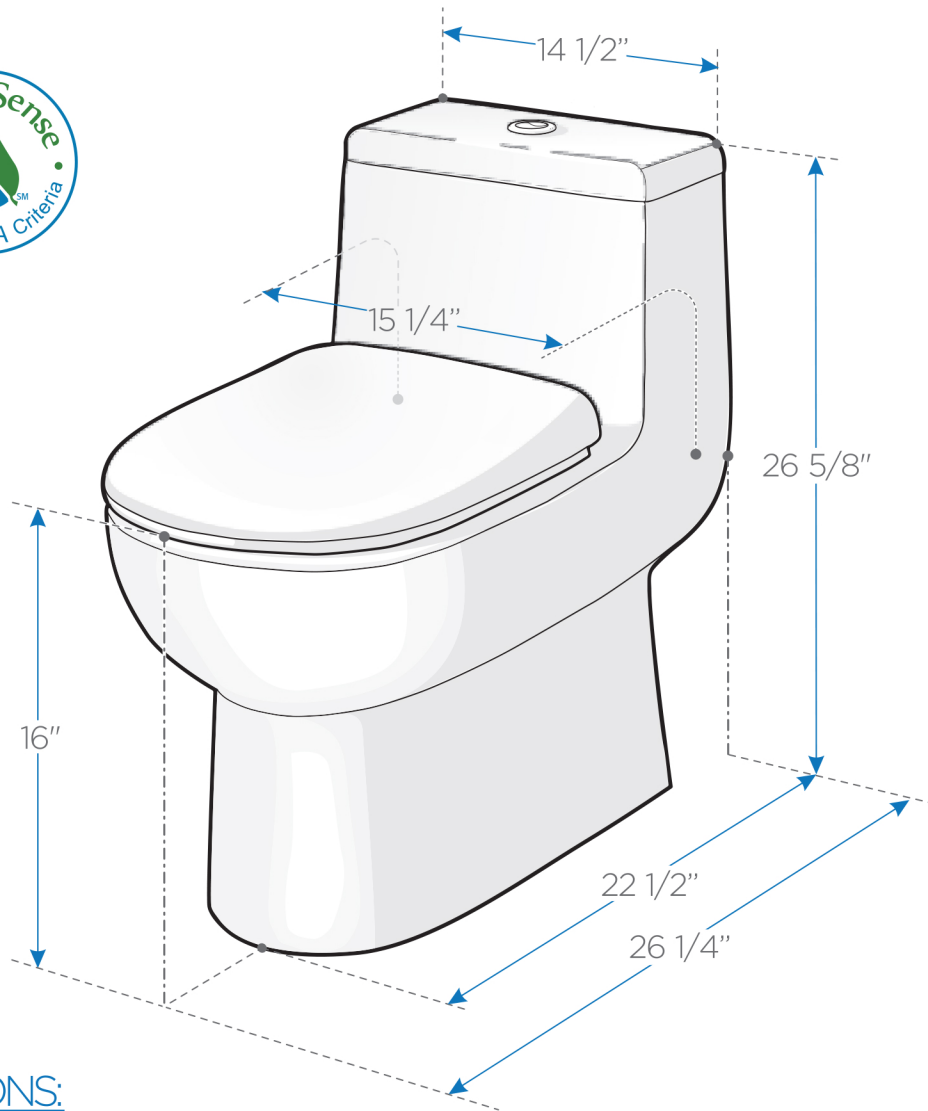



ANTILA

One-Piece Dual Flush Toilet w/ Soft Close Seat



314

SPECIFICATIONS:

- UPC Approval 
- Water Sense EPA Certification
- Eco-Friendly Push Button Dual Flush Mechanism
- 1.1/1.6 GPF Water Consumption
- 12" Trap Distance
- One Piece Construction
- Elongated Bowl Type
- Soft Close / Non Slamming Seat Included
- Drain w/ Trap Included
- High Quality Stain Resistant Polish w/ Fully Glazed Trapway
- 3 Years Parts Warranty

BOX DIMENSIONS: L32" W19" H30" G.W.100LB

