



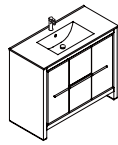
# FVN8140

# ALLIER

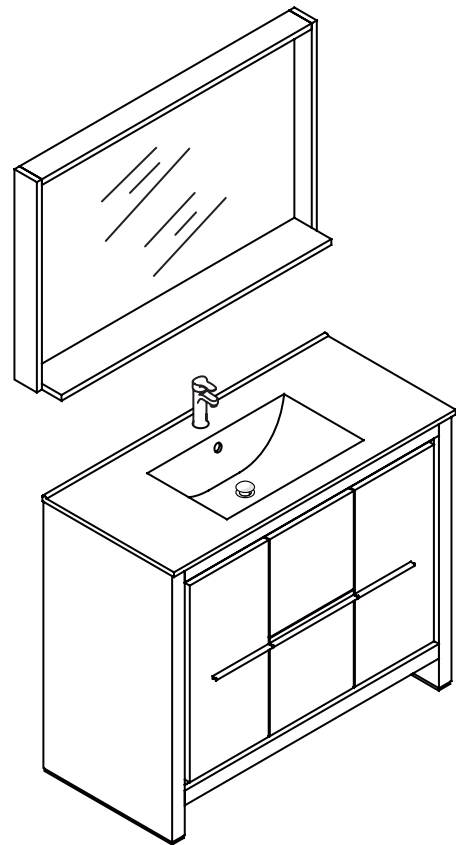
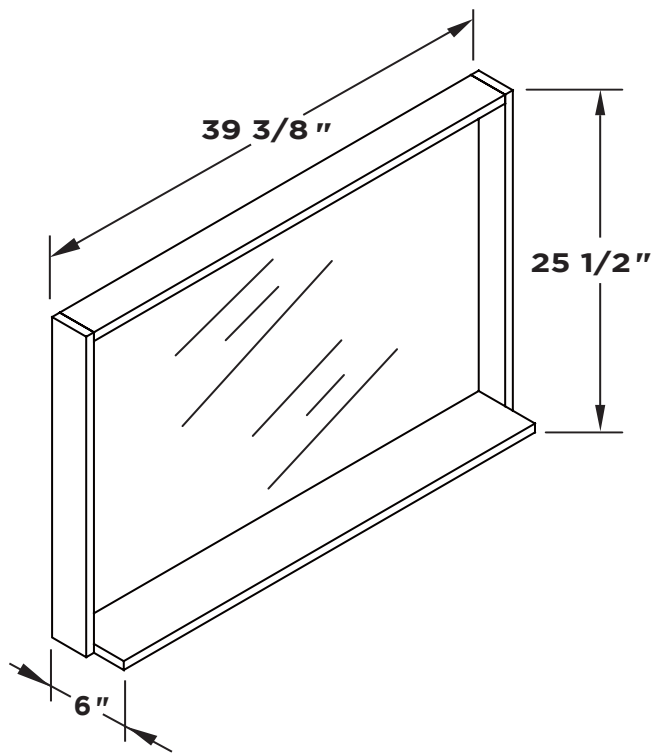
## INSTALLATION GUIDE

### CONTENTS:

Cabinet...(FCB8140).....	PAGE 3 (STEP 1)
Sink.....(FVS8140).....	PAGE 3 (STEP 2)
Mirror.....(FMR8140).....	PAGE 2

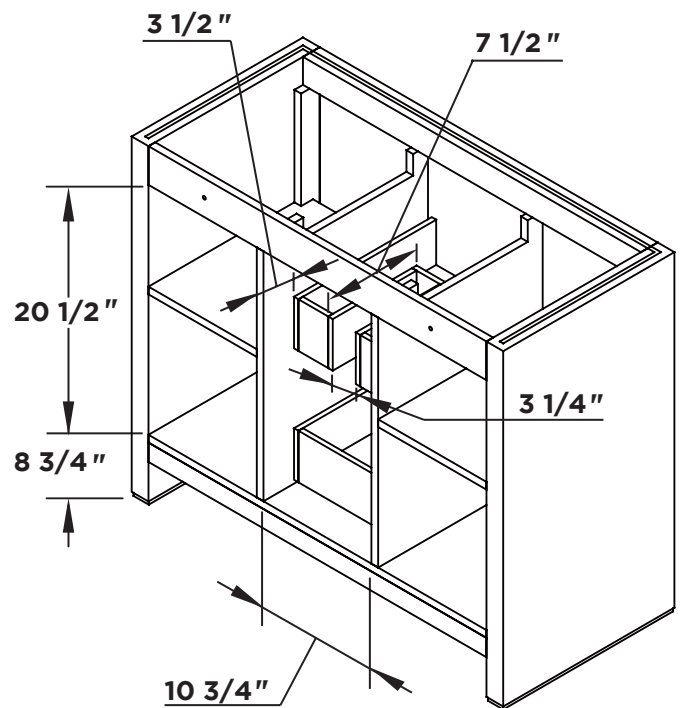
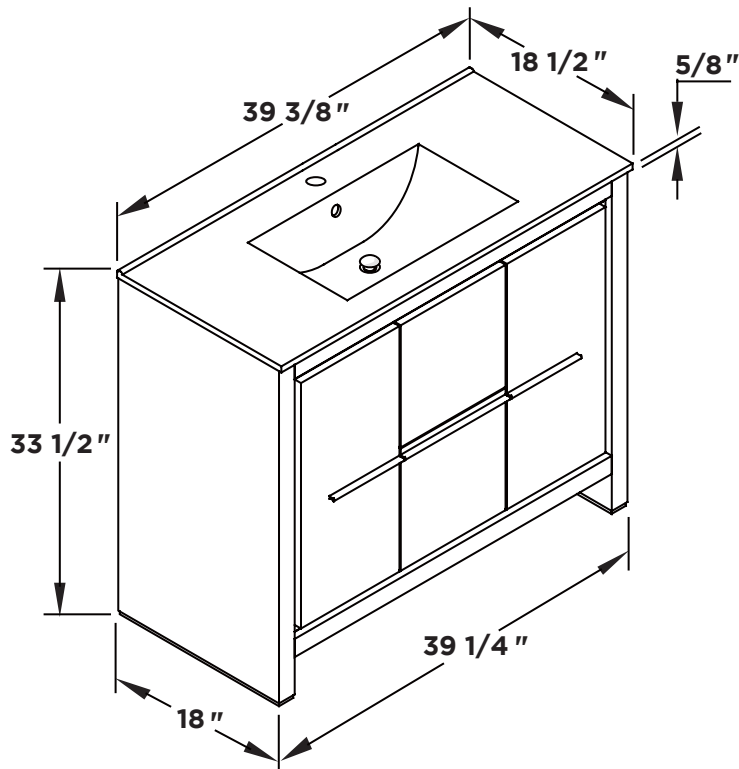


Mirror

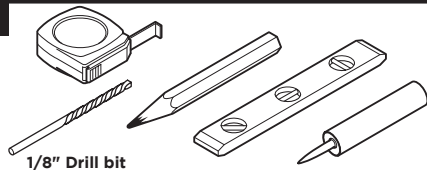
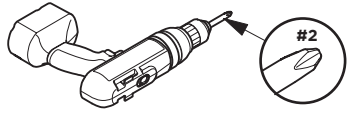


Vanity Front

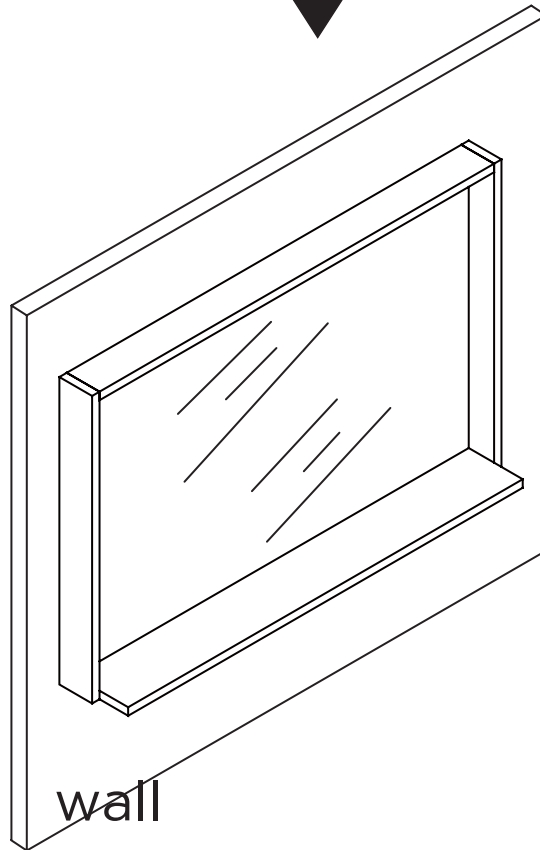
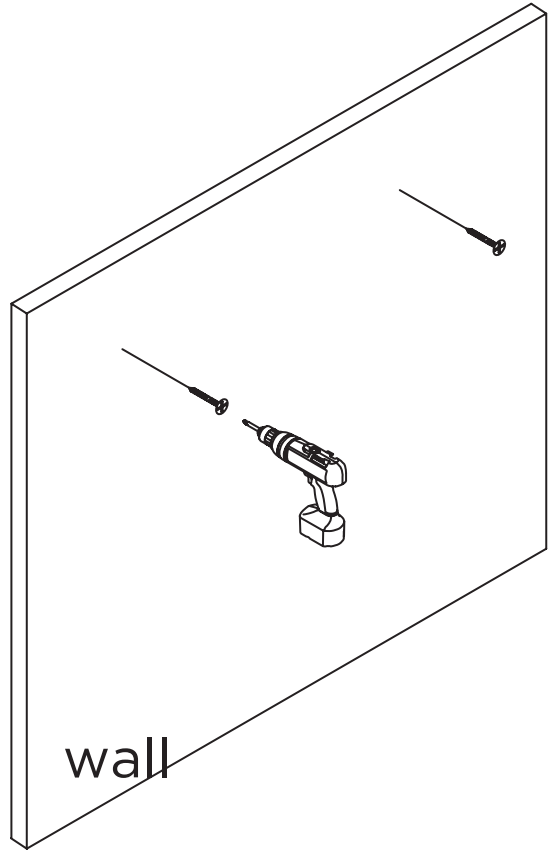
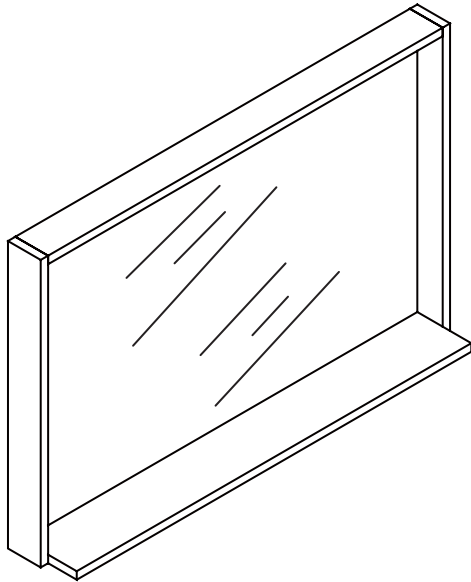
Vanity Back



**TOOLS FOR ASSEMBLY**

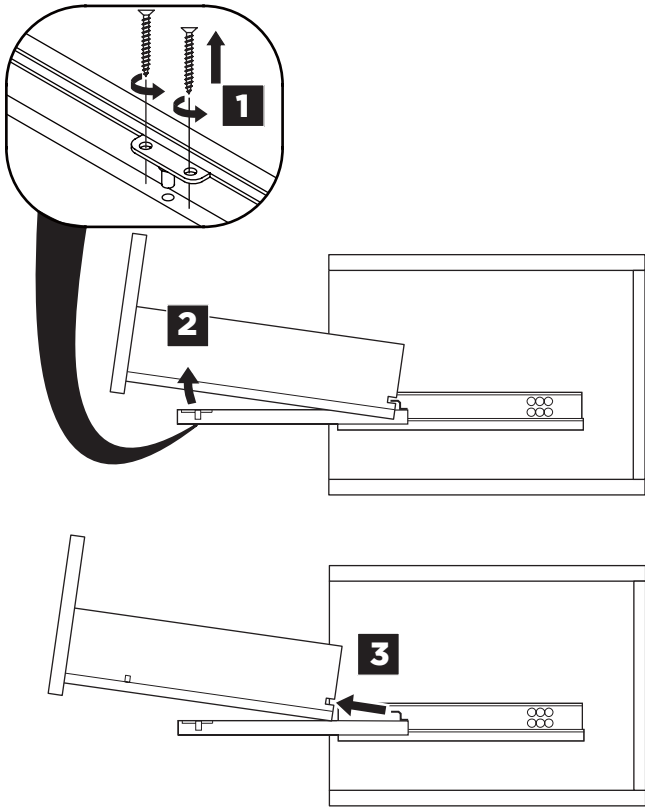


**MIRROR INSTALLATION**

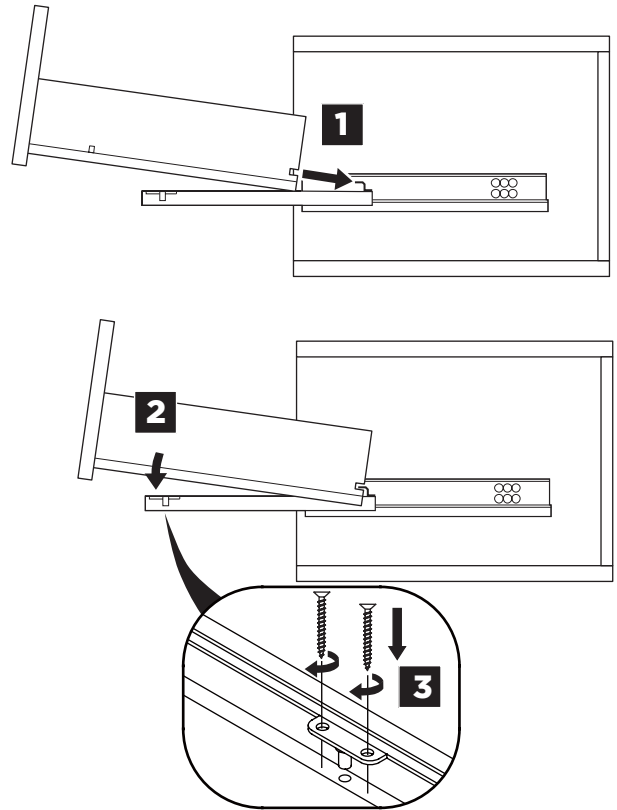


# DRAWER REMOVAL & INSTALLATION

## REMOVAL



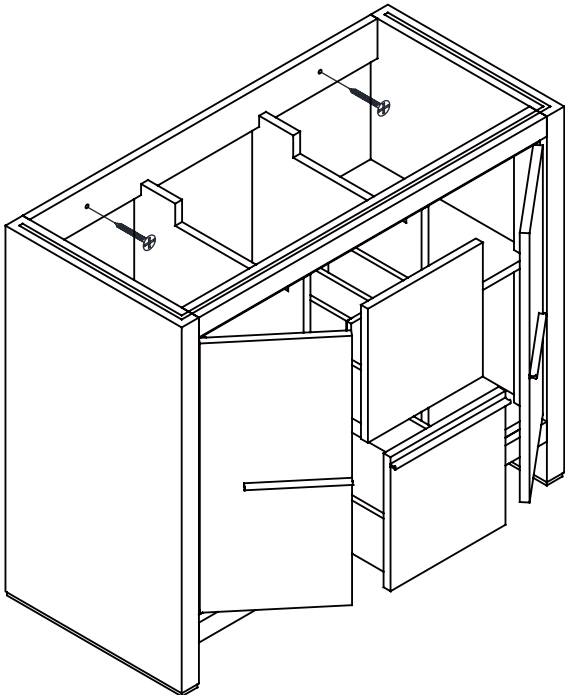
## INSTALLATION



**1**

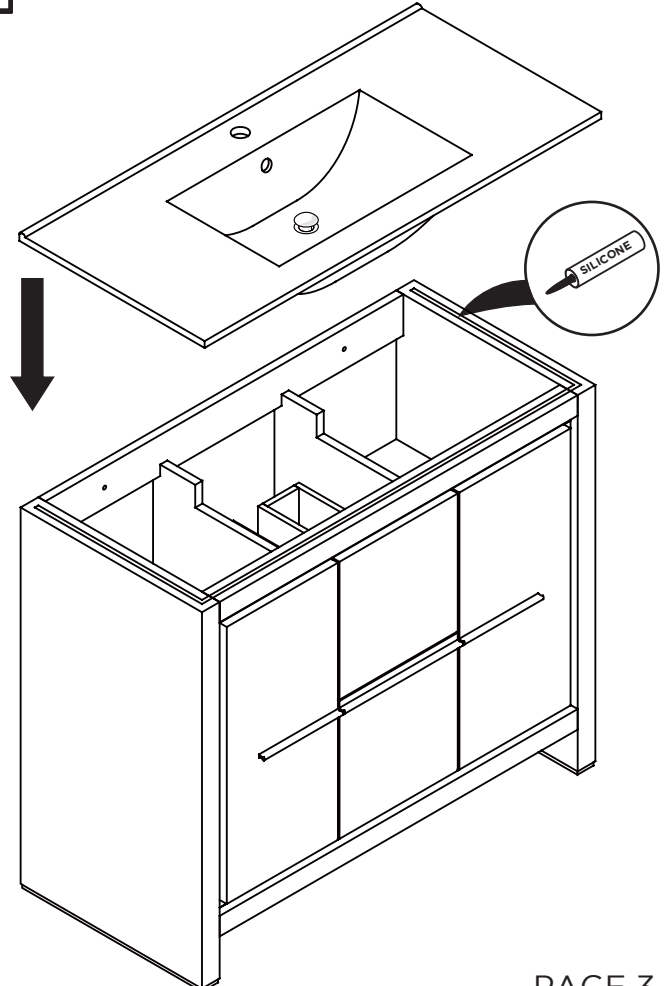
Remove drawer and open the door

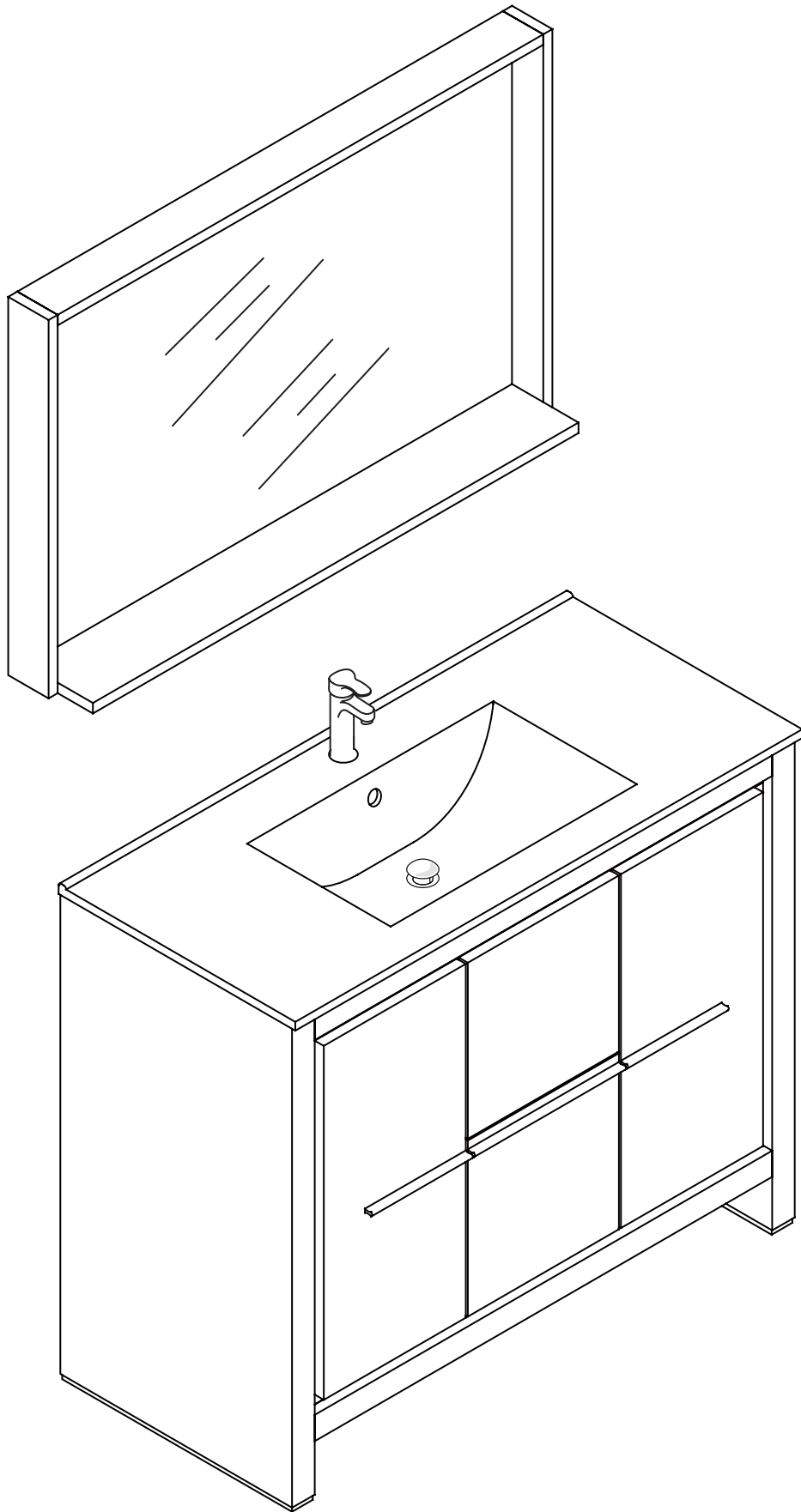
**IMPORTANT:** Consult an expert for the proper screws/bolts to use when attaching to various wall constructions. Screws provided do not attach to all wall construction types.



**2**

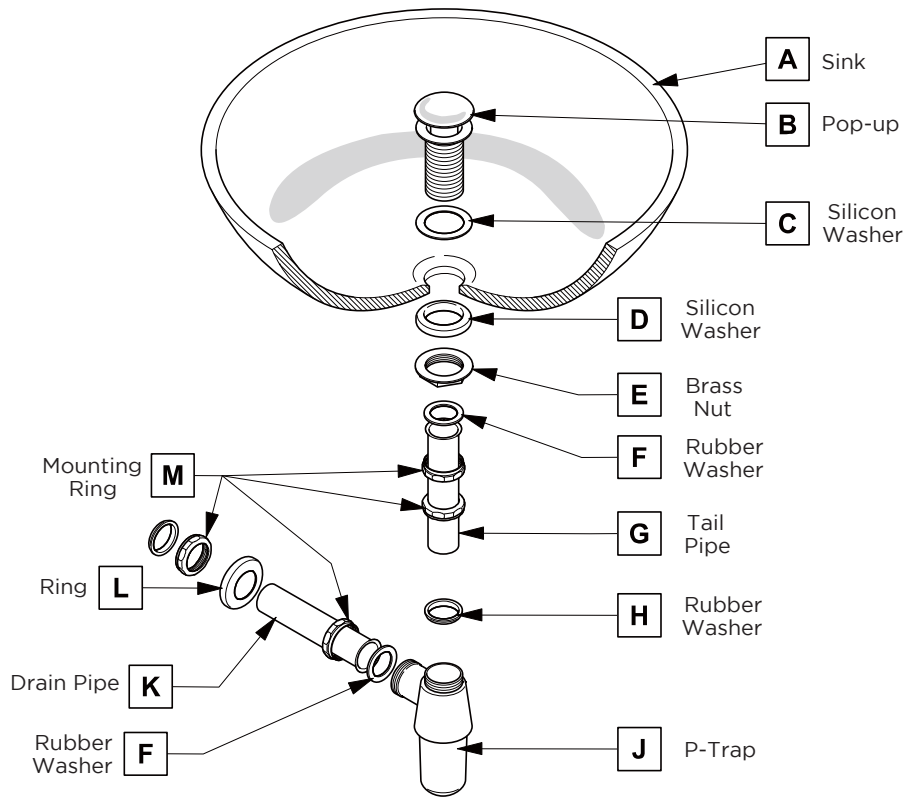
Install top panel





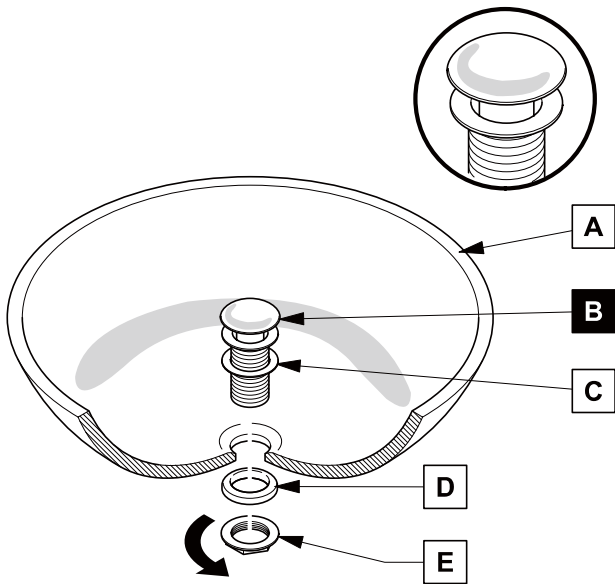
## P-TRAP AND POP-UP INSTALLATION INSTRUCTIONS

Generic sink used for illustrations. Your sink may vary



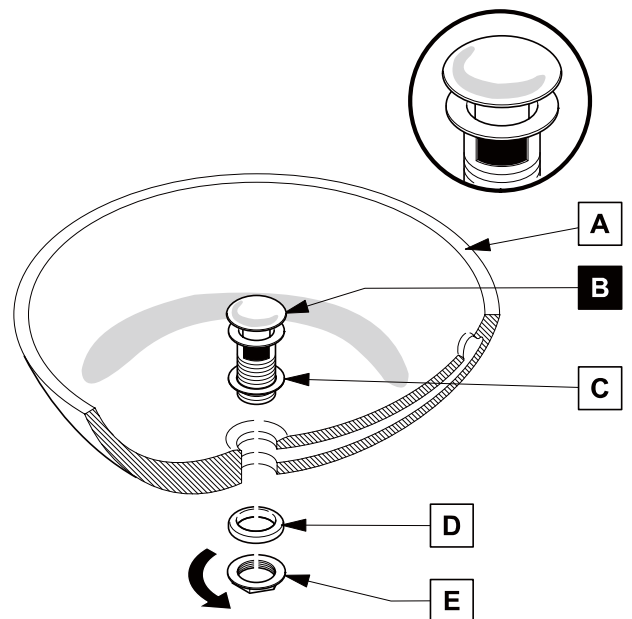
### POP-UP INSTALLATION

#### FOR SINKS WITHOUT OVERFLOW



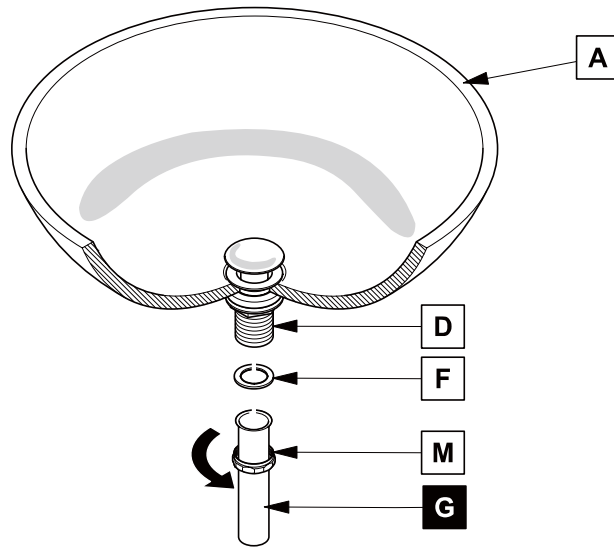
**OR**

#### FOR SINKS WITH OVERFLOW



# P-TRAP INSTALLATION

## 1 Install tail pipe (G)



## 2 Install p-trap (J)

