



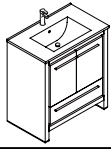
FVN8130

ALLIER

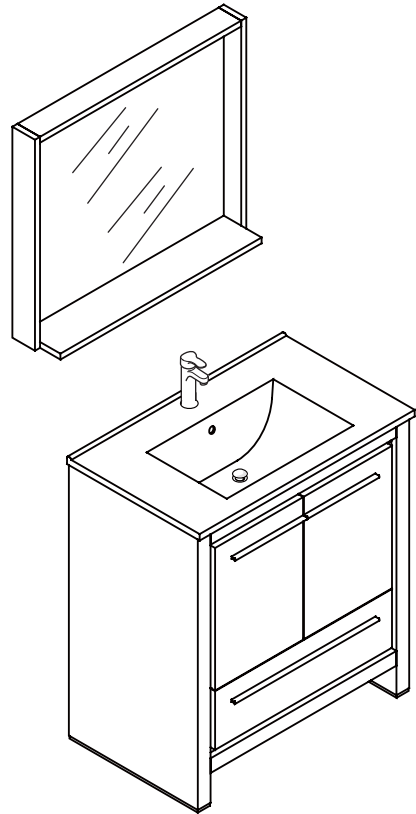
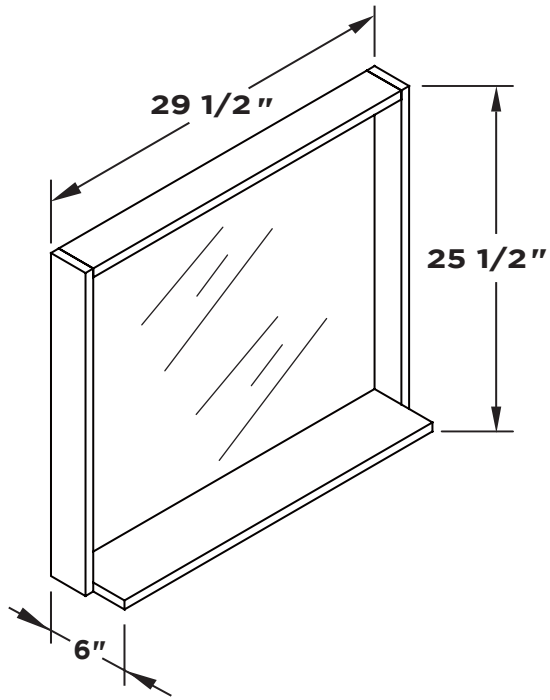
INSTALLATION GUIDE

CONTENTS:

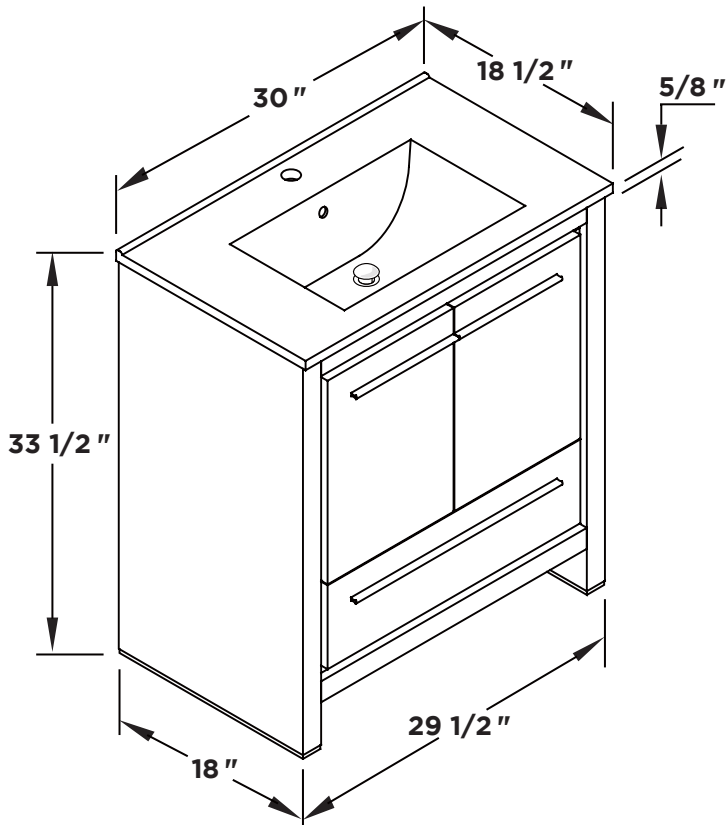
Cabinet...(FCB8130).....	PAGE 3 (STEP 1)
Sink.....(FVS8130).....	PAGE 3 (STEP 2)
Mirror.....(FMR8130).....	PAGE 2



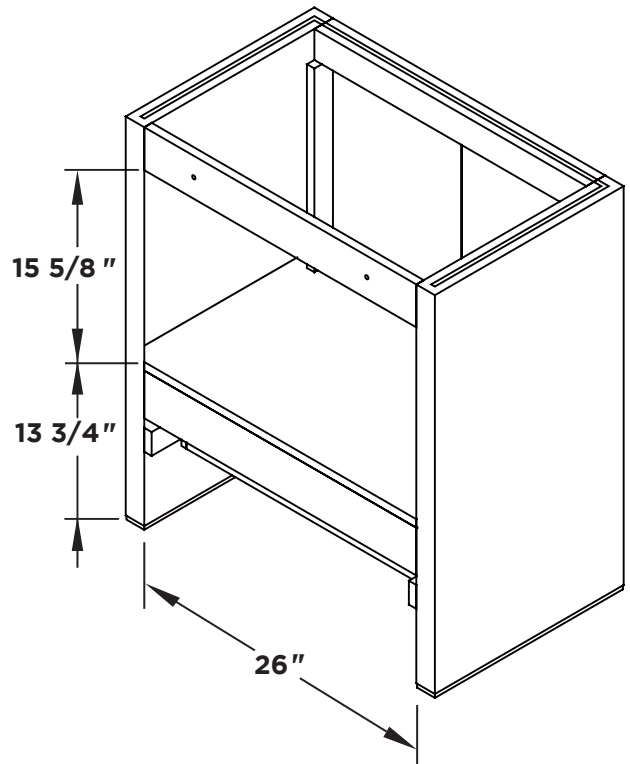
Mirror



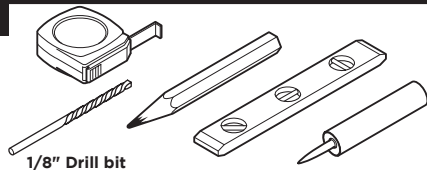
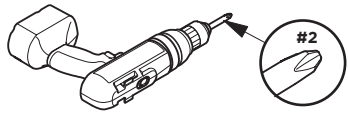
Vanity Front



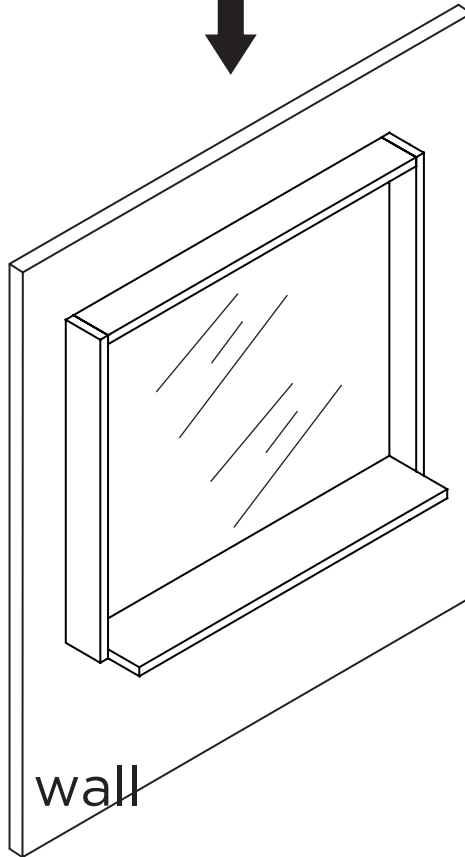
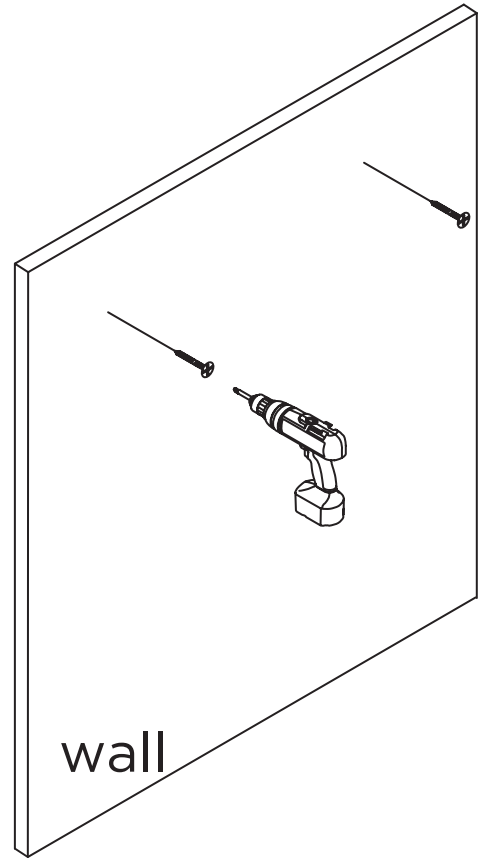
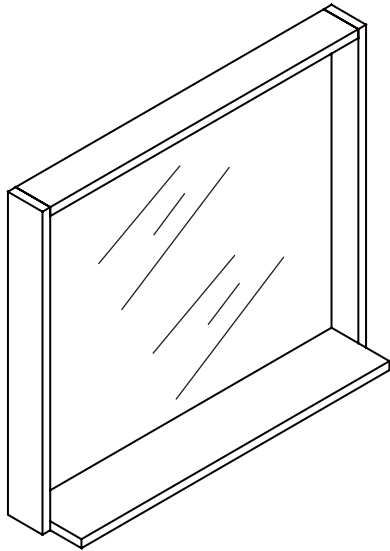
Vanity Back



TOOLS FOR ASSEMBLY

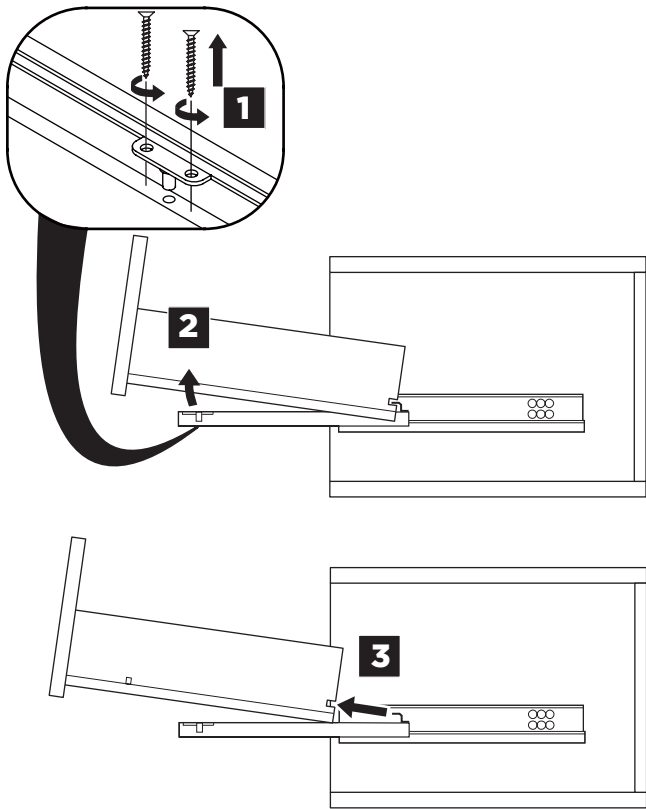


MIRROR INSTALLATION

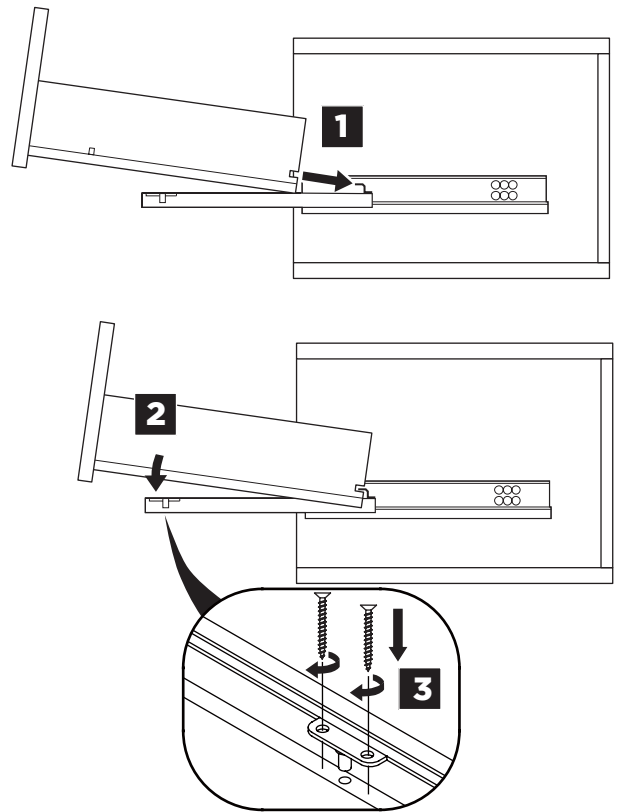


DRAWER REMOVAL & INSTALLATION

REMOVAL



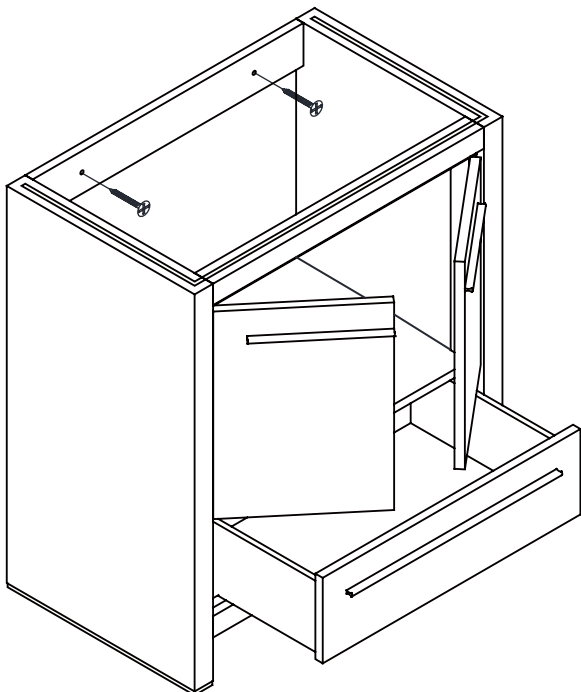
INSTALLATION



1

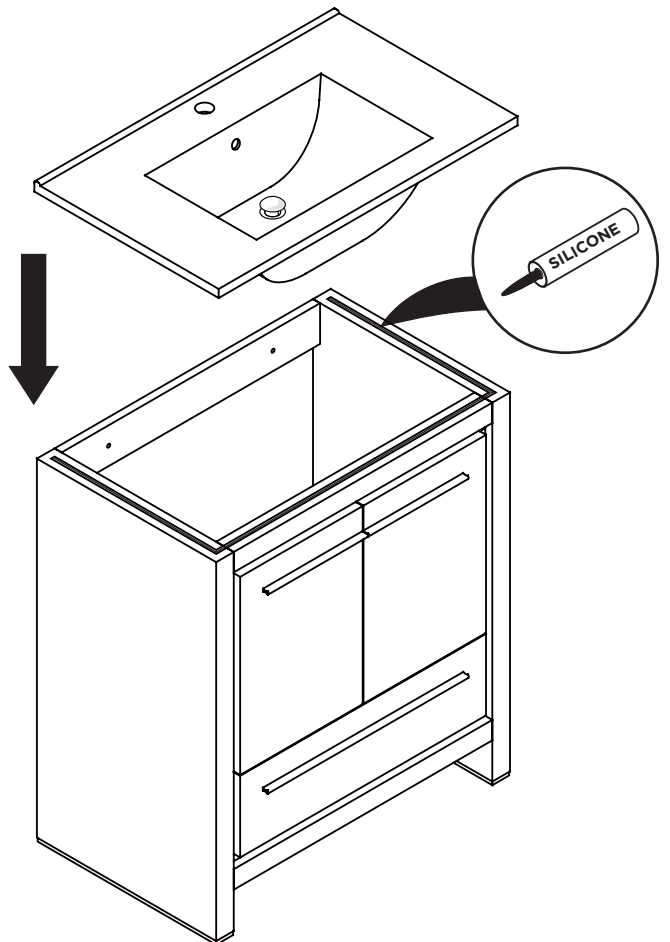
Remove drawer and open the door

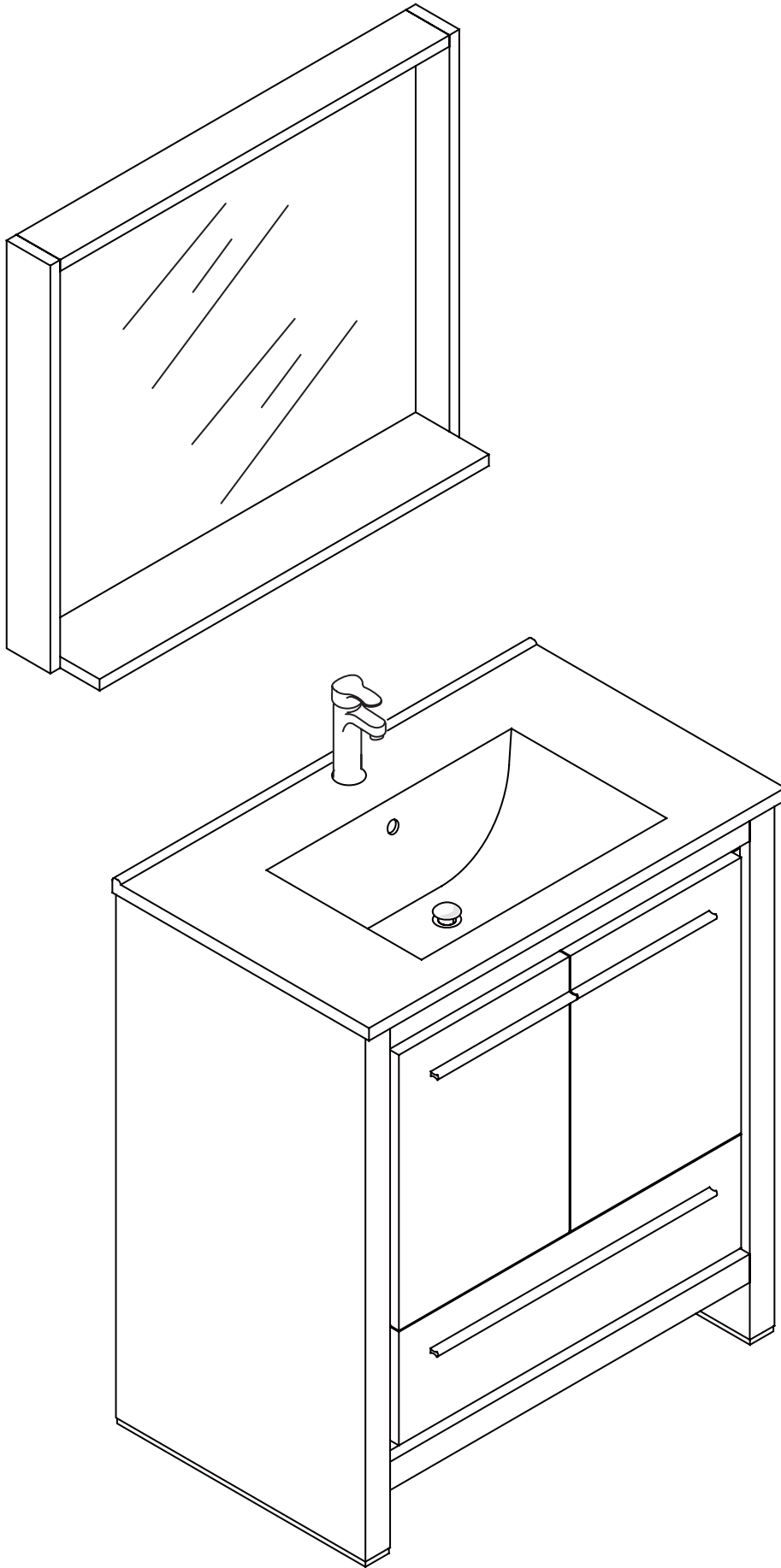
IMPORTANT: Consult an expert for the proper screws/bolts to use when attaching to various wall constructions. Screws provided do not attach to all wall construction types.



2

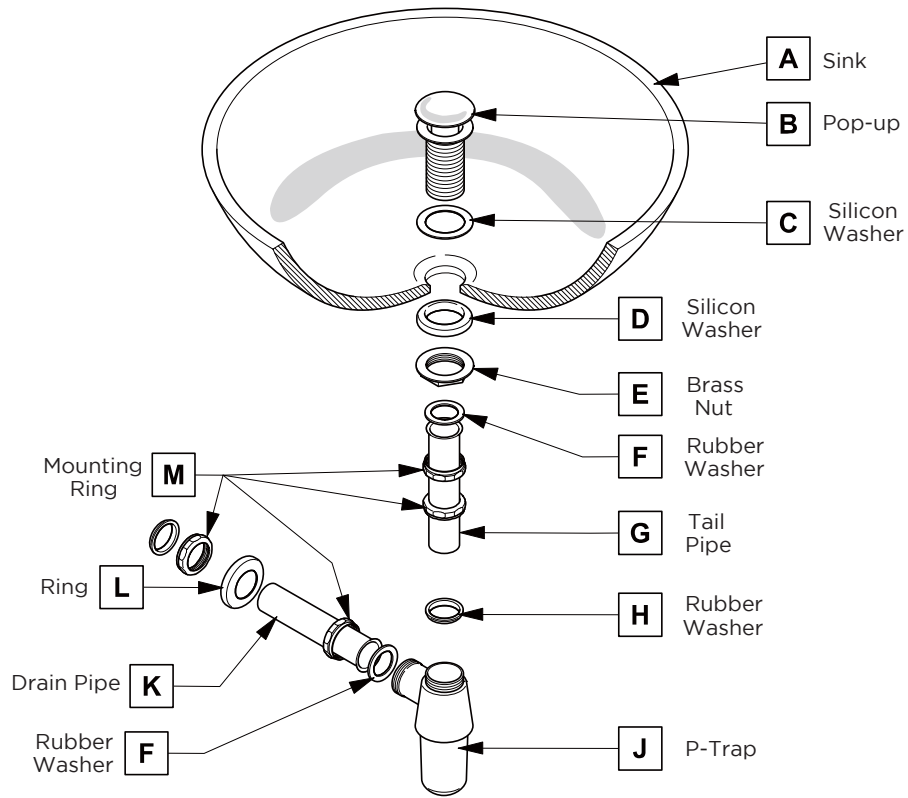
Install top panel





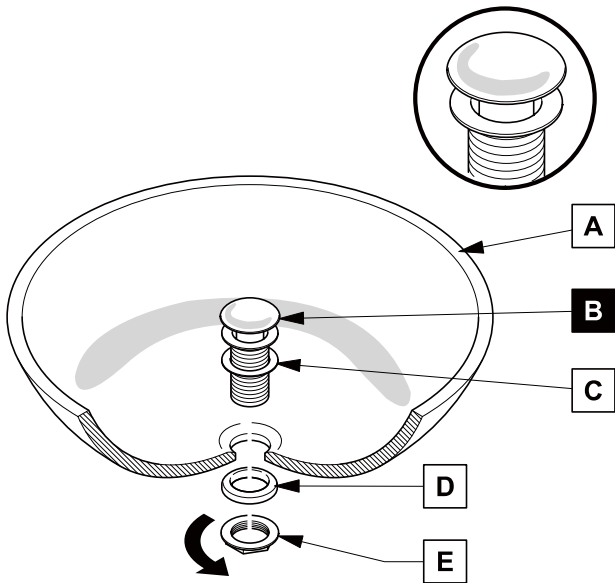
P-TRAP AND POP-UP INSTALLATION INSTRUCTIONS

Generic sink used for illustrations. Your sink may vary



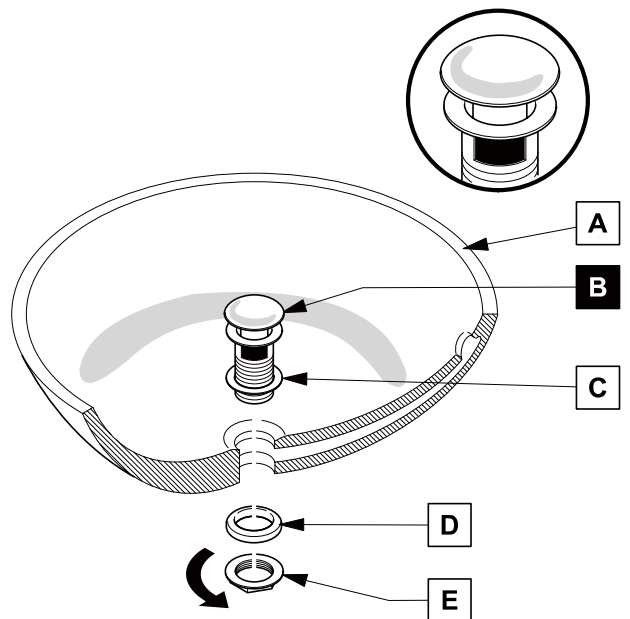
POP-UP INSTALLATION

FOR SINKS WITHOUT OVERFLOW



OR

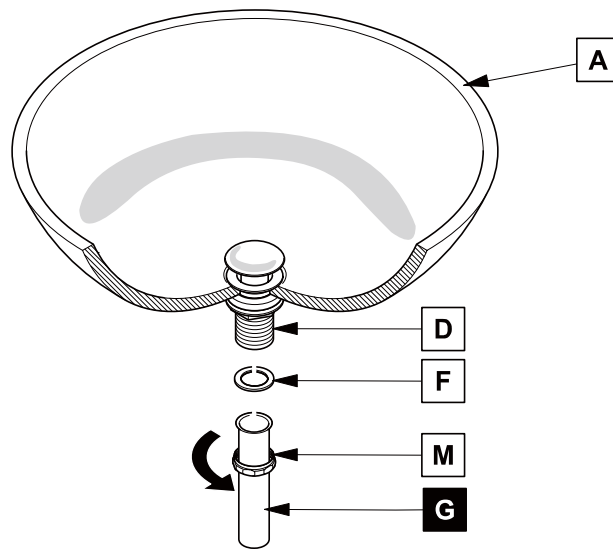
FOR SINKS WITH OVERFLOW



P-TRAP INSTALLATION

1

Install tail pipe (G)



2

Install p-trap (J)

