



FVN1053

VITALE

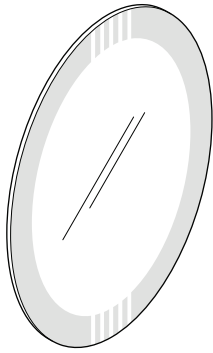
INSTALLATION GUIDE

CONTENTS:

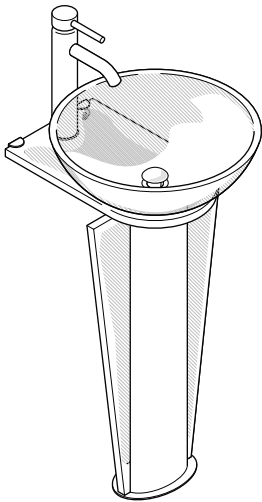
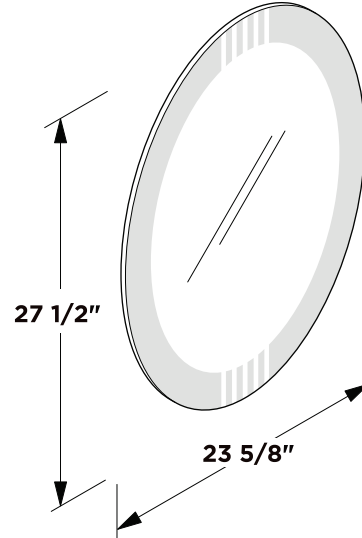
Cabinet.....	(CMB1053).....	PAGE 2
Mirror.....	(FMR1053).....	PAGE 2



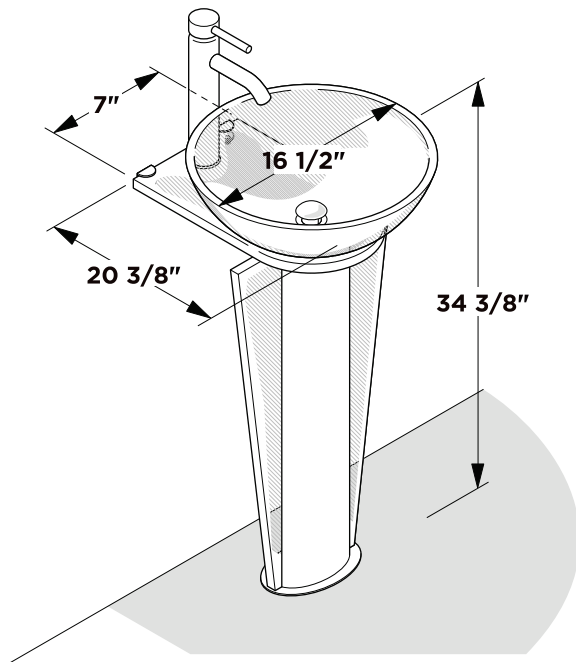
FVN1053 VITALE INSTALLATION GUIDE



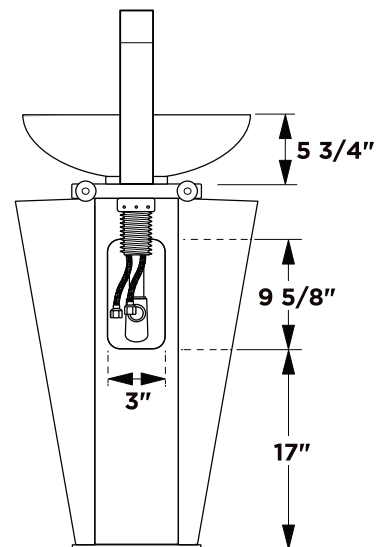
Mirror



Vanity Front

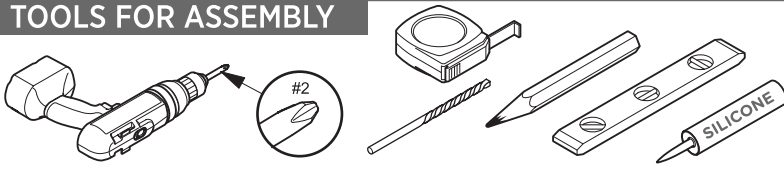


Vanity Back

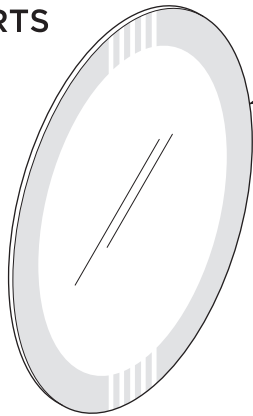


NOTE: ALL DIMENSIONS & SPECIFICATIONS ARE APPROXIMATE AND SUBJECT TO CHANGE WITHOUT NOTICE.

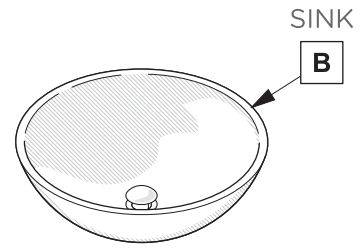
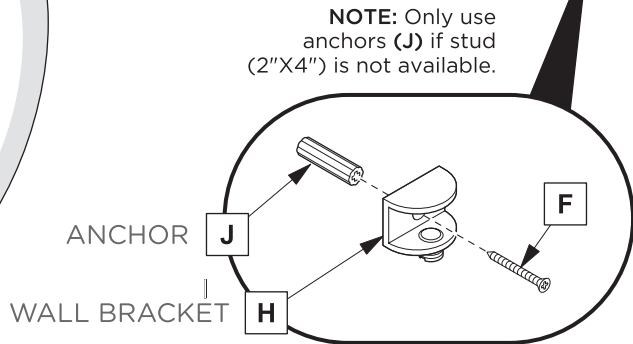
TOOLS FOR ASSEMBLY



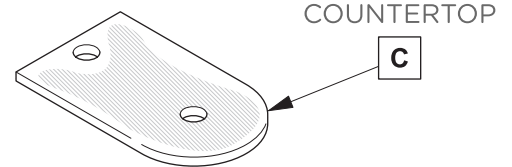
PARTS



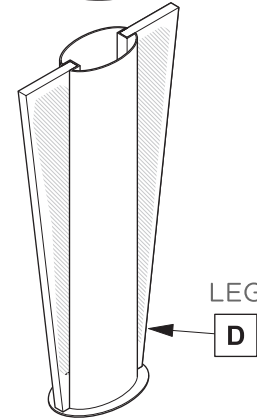
A MIRROR



SINK **B**



COUNTERTOP **C**

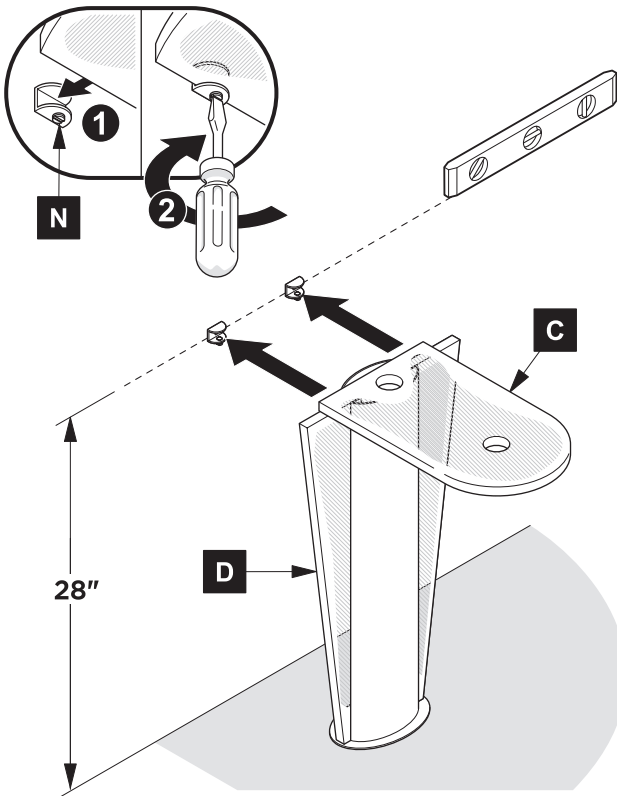


LEG **D**

1 Attach brackets (H) to the wall

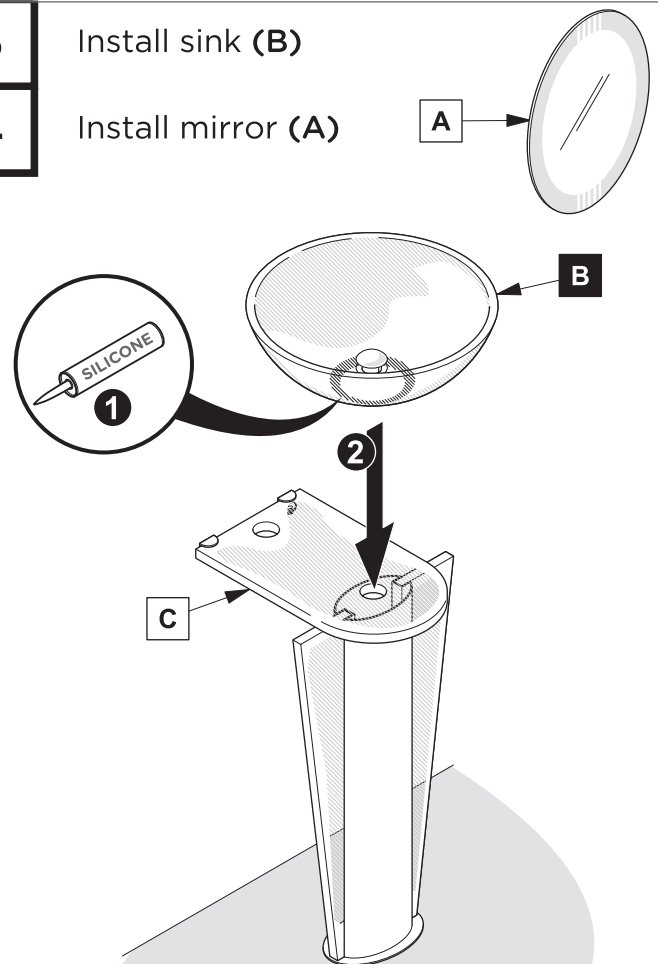
IMPORTANT: Consult an expert for the proper screws/bolts to use when attaching to various constructions. Screws provided do not attach to all wall construction types.

2 Slide countertop (C) into the brackets (H) and tighten the bottom screw (N)



3 Install sink (B)

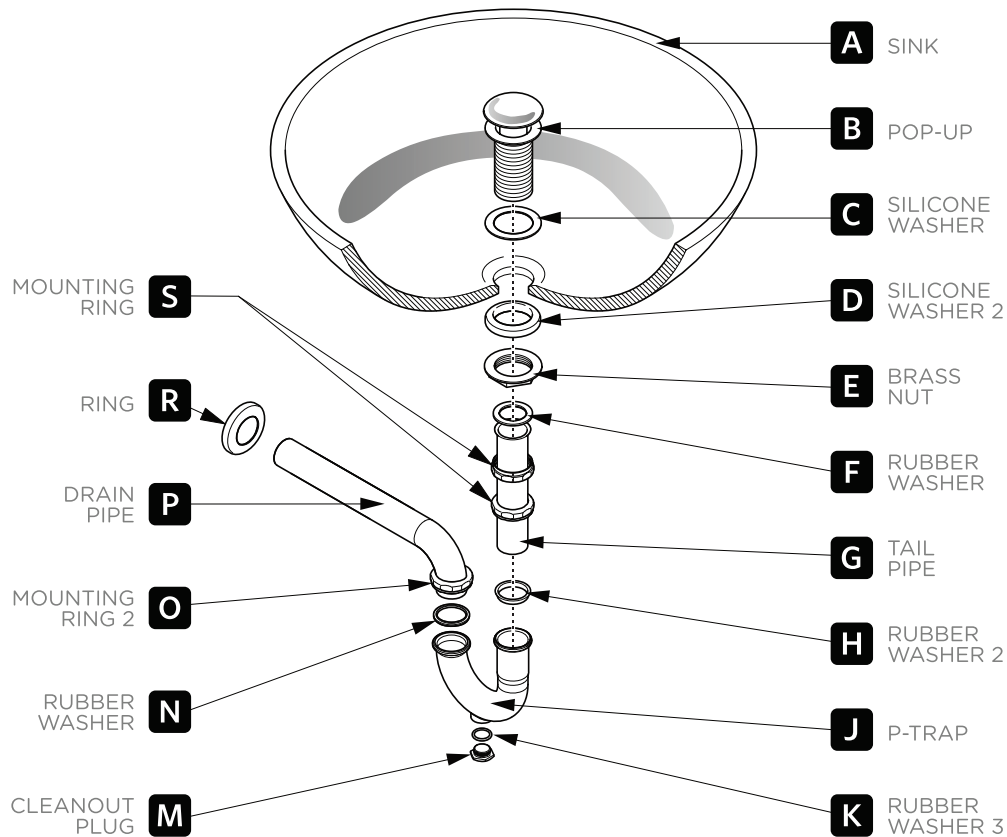
4 Install mirror (A)



P-TRAP & POP-UP

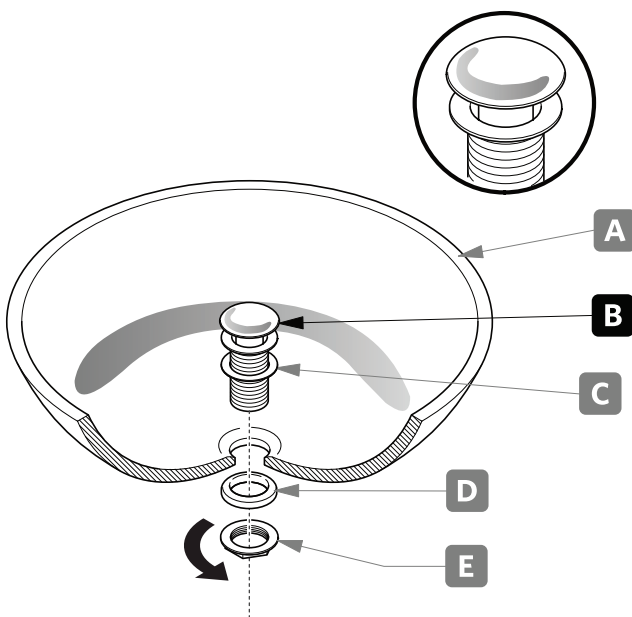
INSTALLATION INSTRUCTIONS

Your item may appear slightly different from the illustration.



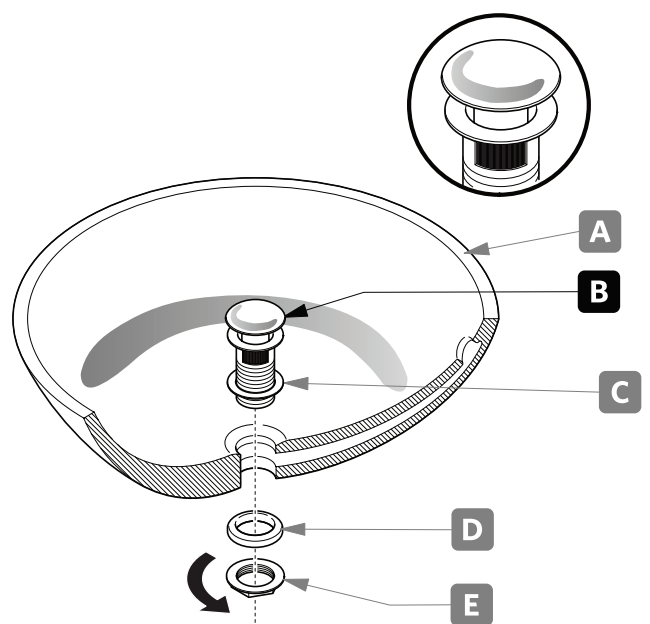
POP-UP INSTALLATION

FOR SINKS WITHOUT OVERFLOW



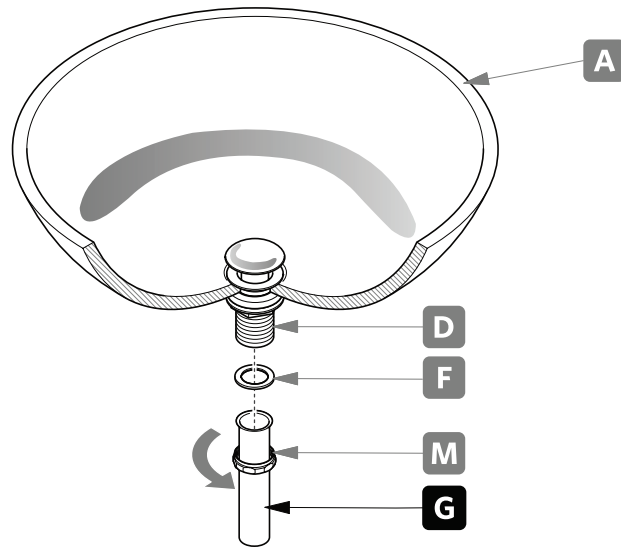
OR

FOR SINKS WITH OVERFLOW



P-TRAP INSTALLATION

1. Install tail pipe **(G)**.



2. Install P-trap **(J)**.

