



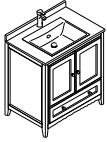
# FVN2030

# OXFORD

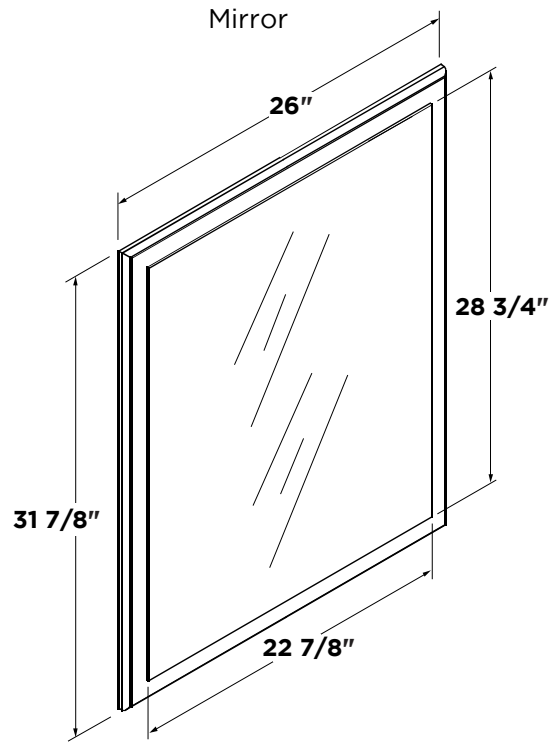
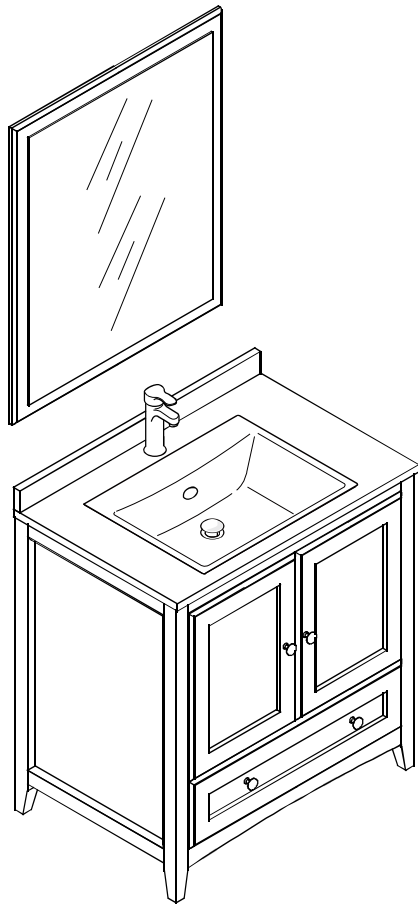
## INSTALLATION GUIDE

### CONTENTS:

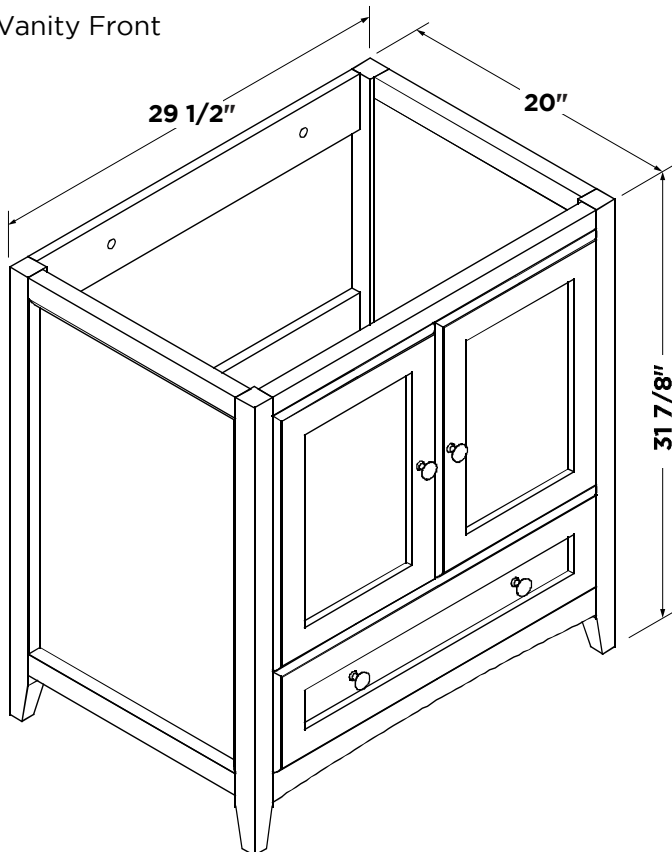
Cabinet..... (FCB2030).....	PAGE 4 (STEP 4)
Sink..... (FVS2017).....	PAGE 5 (STEP 5)
Countertop..... (FCT2030).....	PAGE 5 (STEP 6)
Mirror..... (FMR2030).....	PAGE 2-3 (STEPS 1-5)



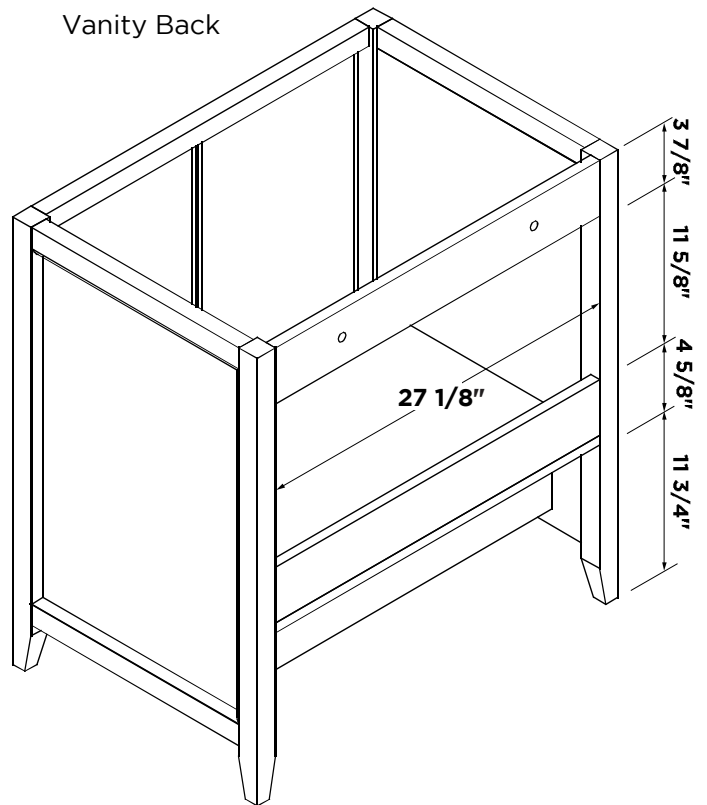
FVN2030  
OXFORD  
INSTALLATION GUIDE

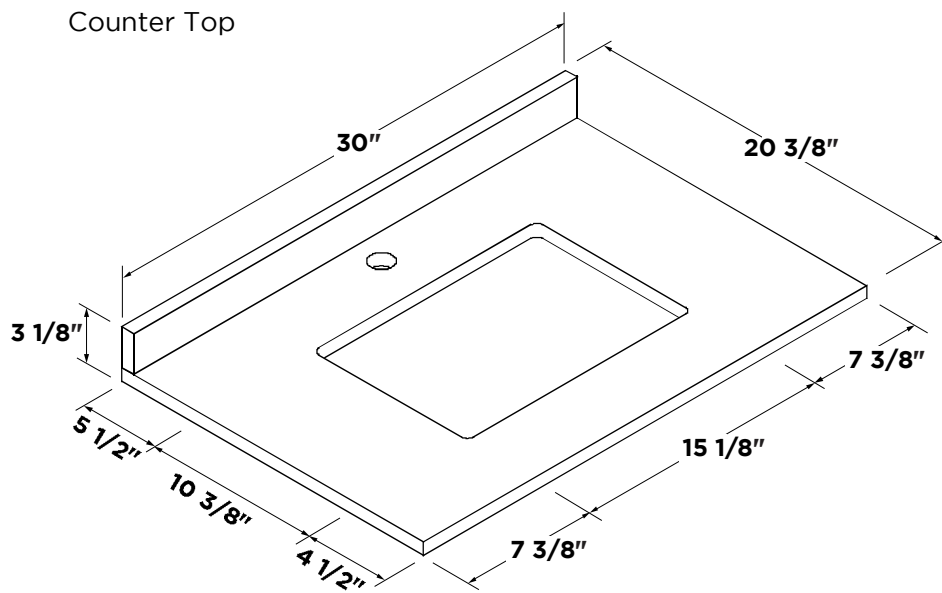


Vanity Front



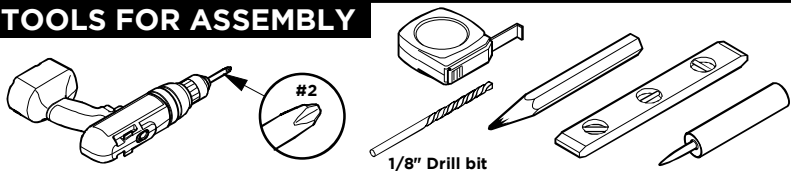
Vanity Back





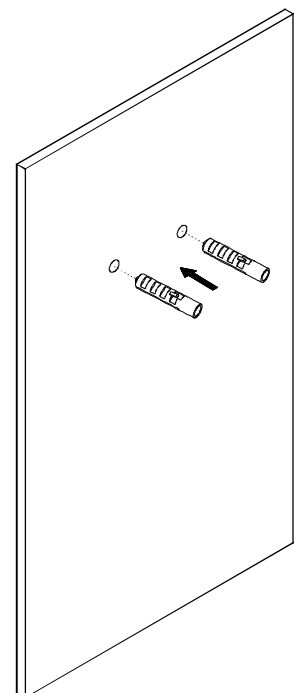
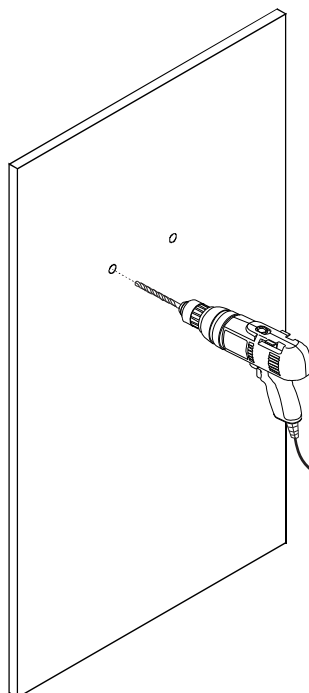
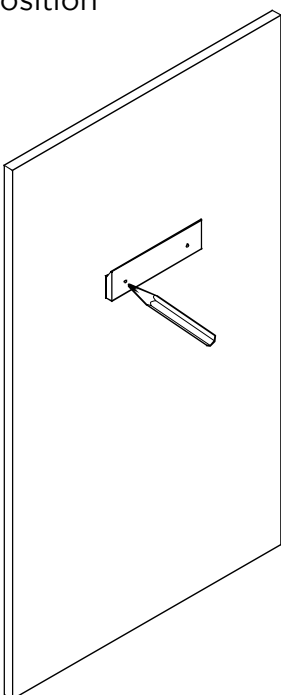
Note: All dimensions and specifications are approximate and subject to change without notice.

#### TOOLS FOR ASSEMBLY



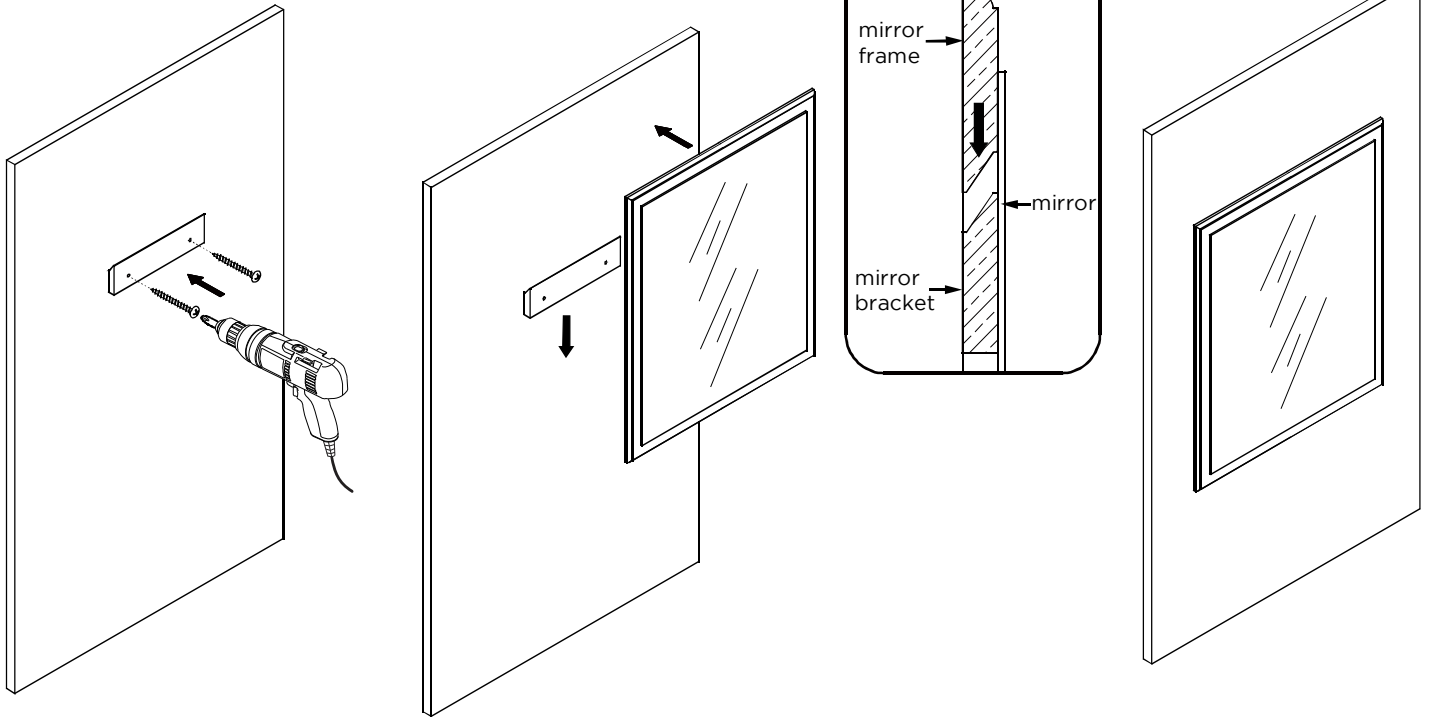
#### MIRROR INSTALLATION

- 1 Level the mirror bracket and then mark the installation position
- 2 Drill the installation holes
- 3 Insert the plastic plug



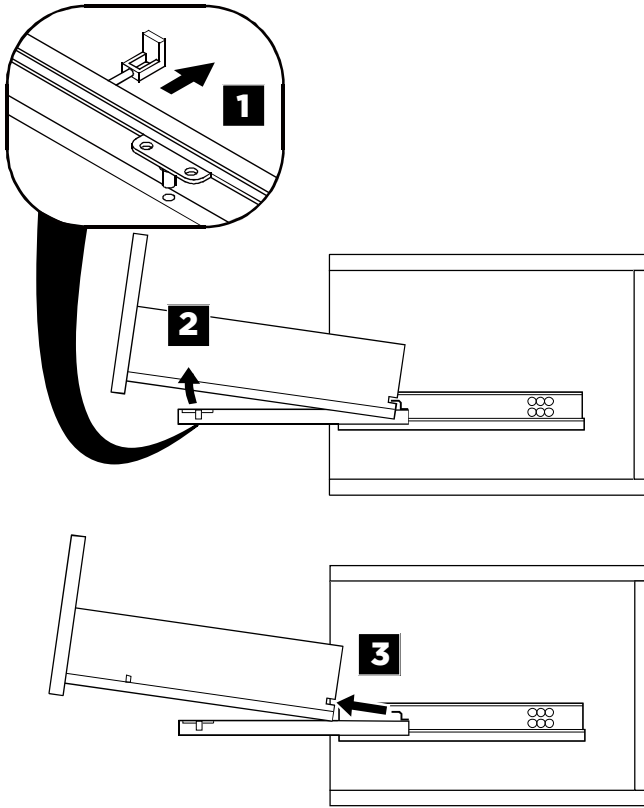
**4** Fix the mirror bracket

**5** Hang up the mirror

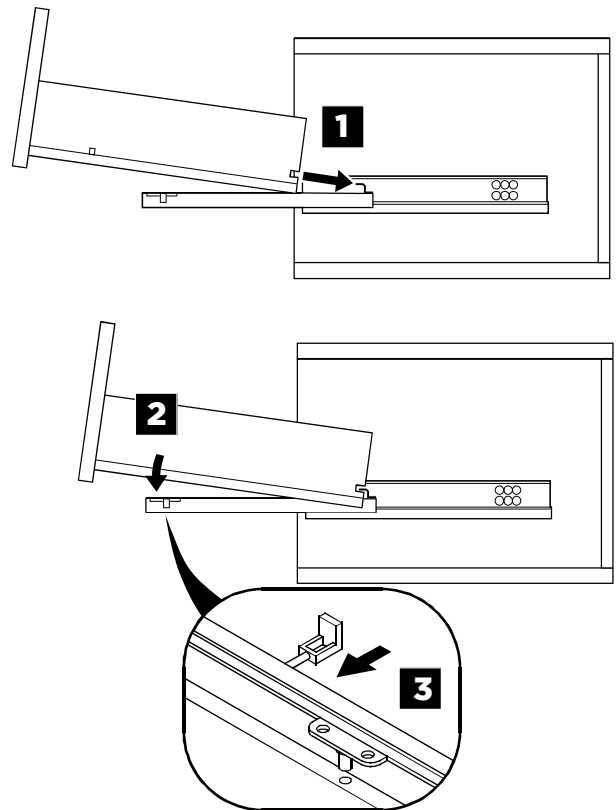


## DRAWER REMOVAL & INSTALLATION

### REMOVAL

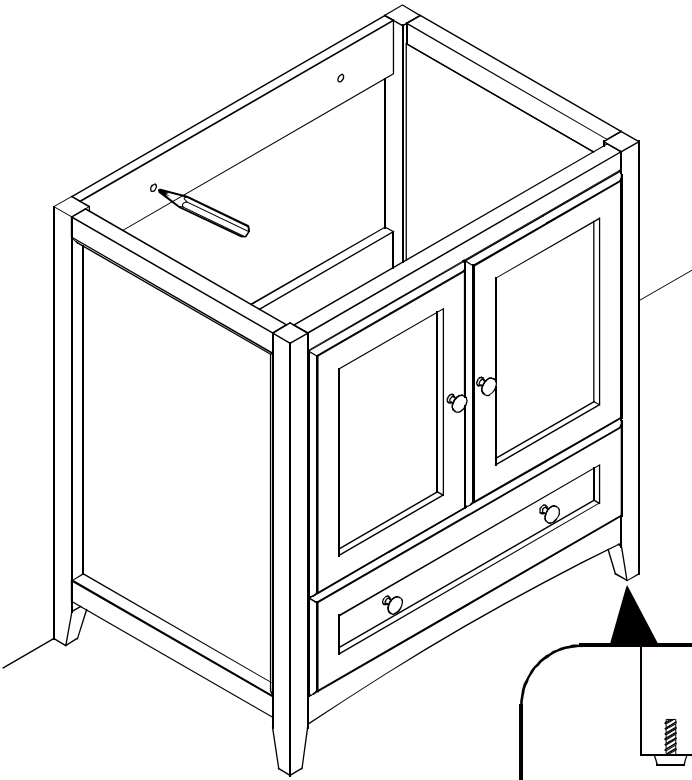


### INSTALLATION



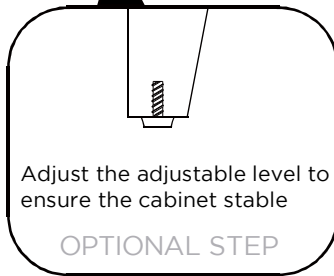
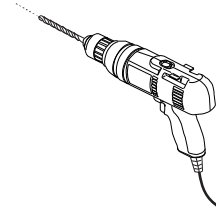
1

Level the cabinet and mark the installation position



2

Drill the installing holes

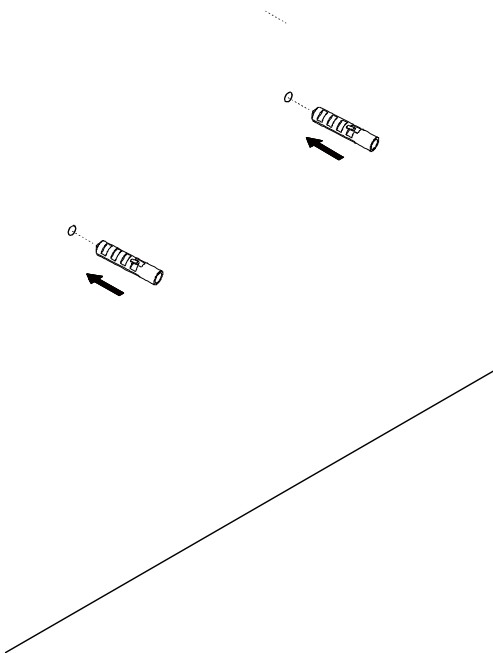


Adjust the adjustable level to ensure the cabinet stable

OPTIONAL STEP

3

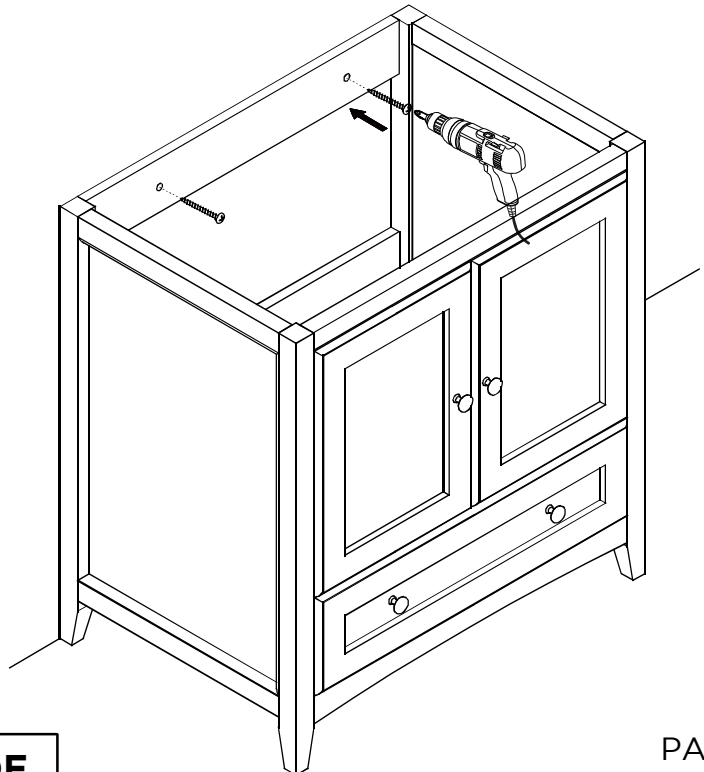
Insert the expansible plastic plugs



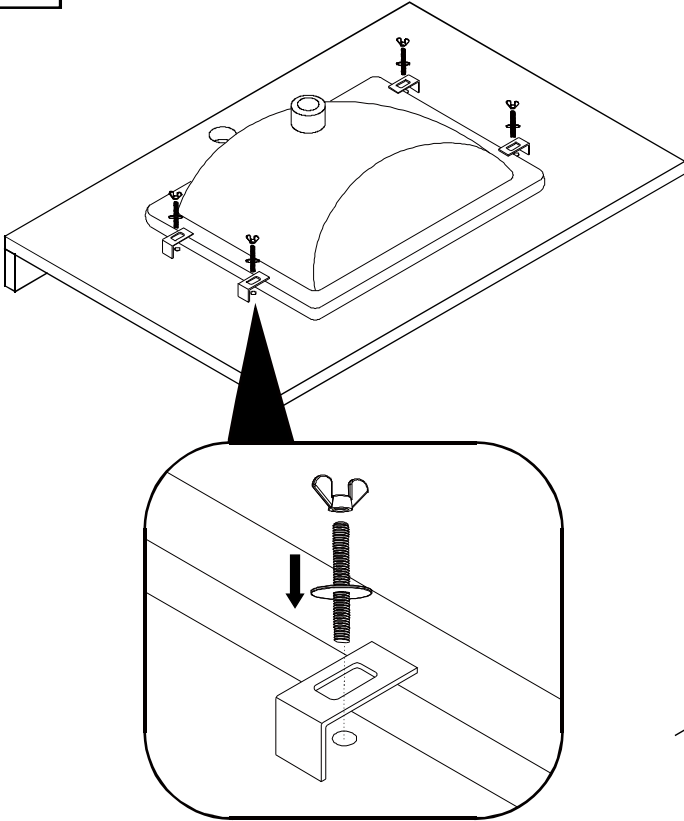
4

Install cabinet

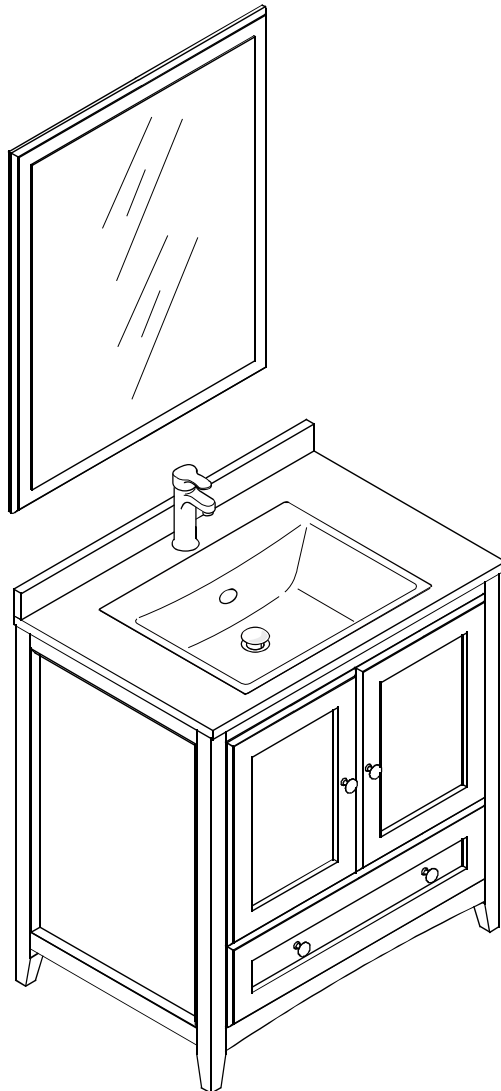
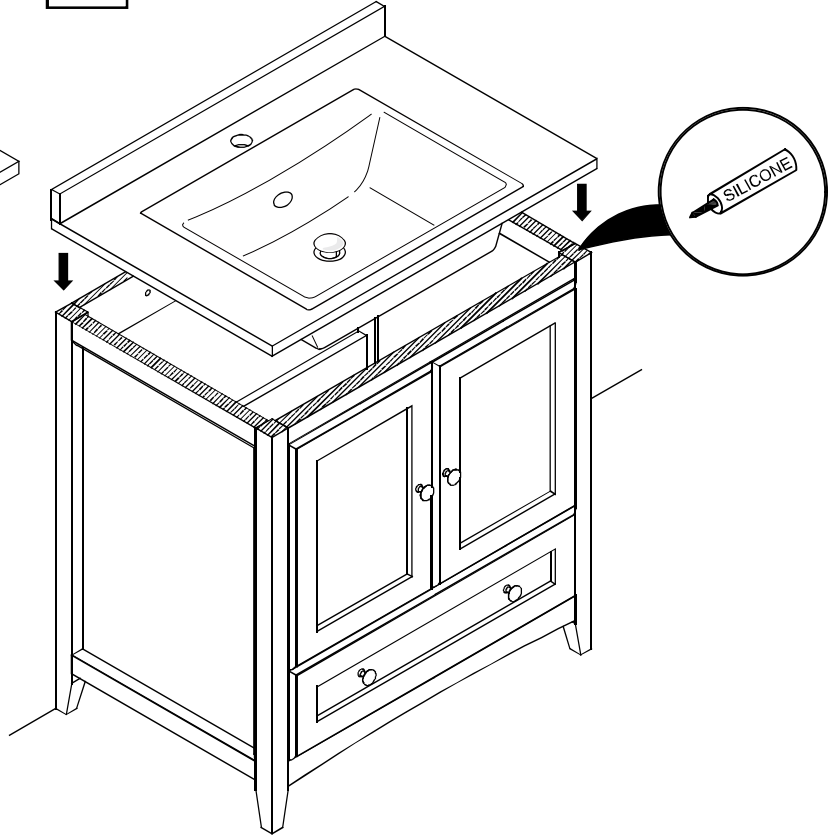
**IMPORTANT:** Consult an expert for the proper screws/bolts to use when attaching to various wall constructions. Screws provided do not attach to all wall construction types.



**5** Install sink

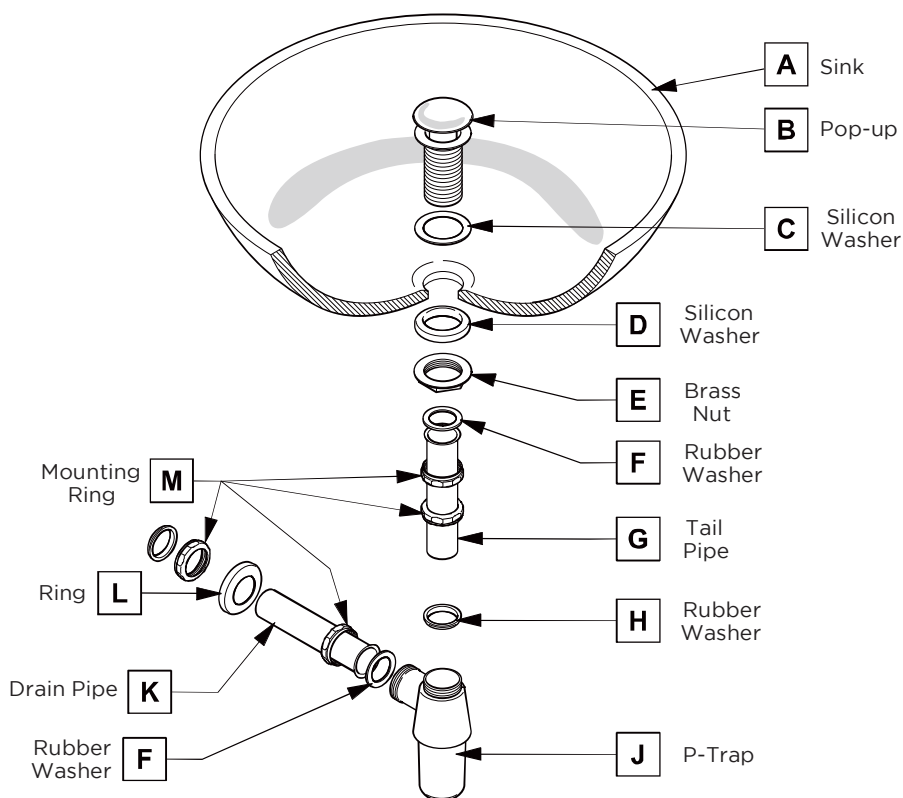


**6** Install counter top



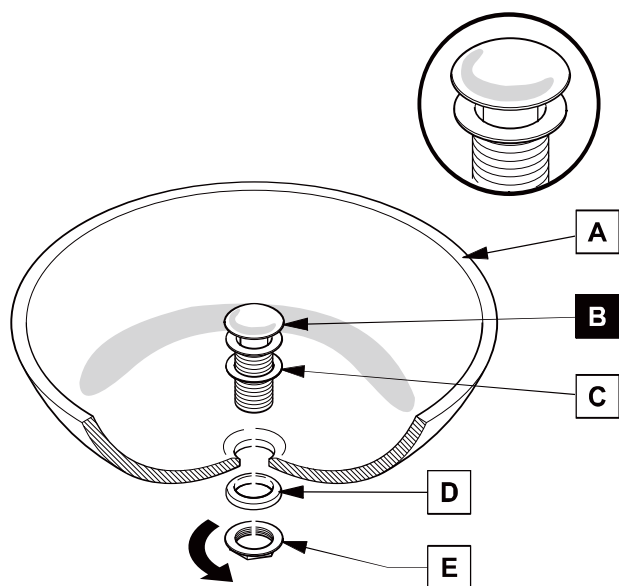
## P-TRAP AND POP-UP INSTALLATION INSTRUCTIONS

Your item may appear slightly different from the illustration



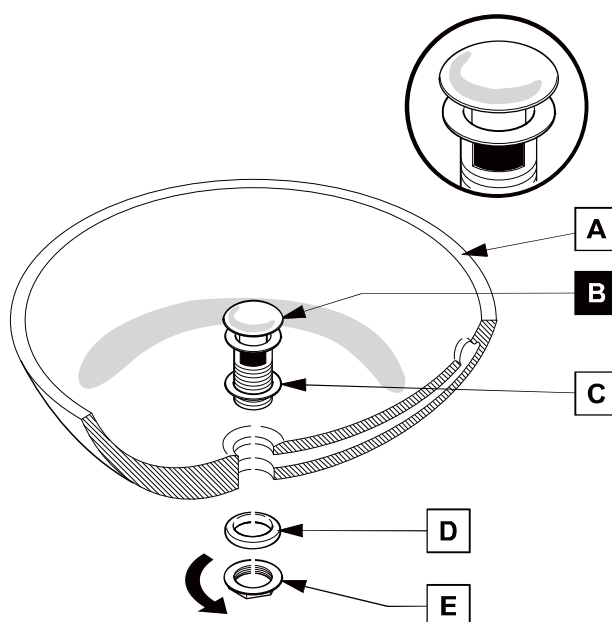
### POP-UP INSTALLATION

#### FOR SINKS WITHOUT OVERFLOW



**OR**

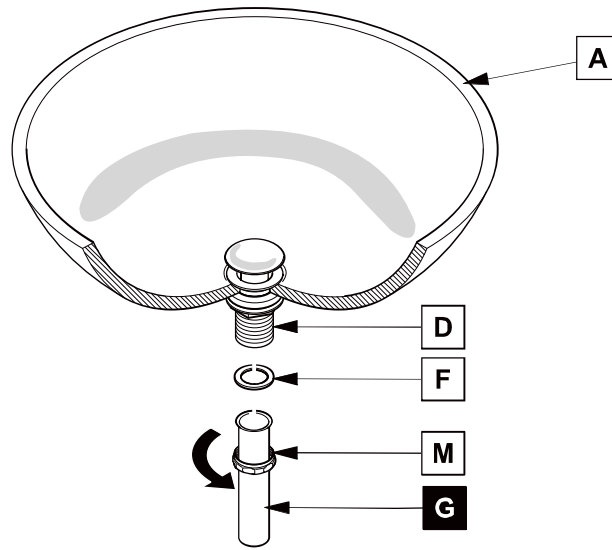
#### FOR SINKS WITH OVERFLOW



# P-TRAP INSTALLATION

1

Install tail pipe (G)



2

Install p-trap (J)

