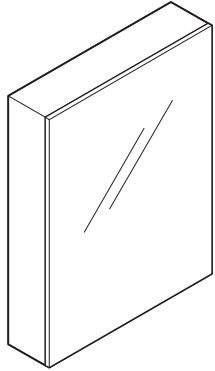


FVN5022 MESSINA INSTALLATION GUIDE

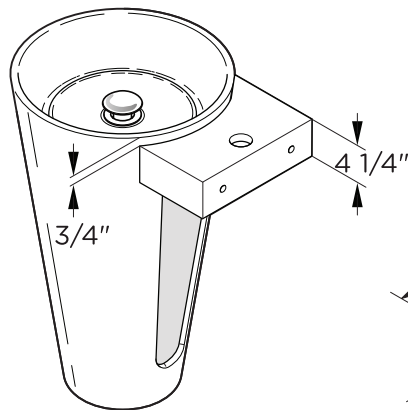
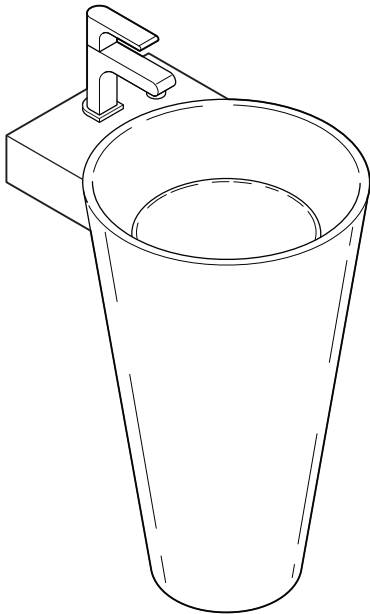
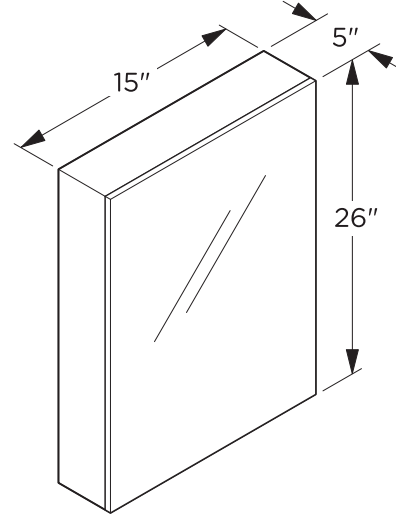


DIMENSIONS

PEDESTAL
ENSEMBLE
Front View

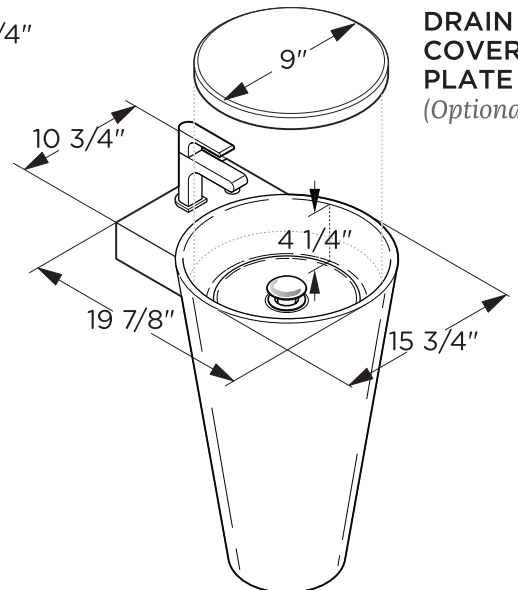


MEDICINE
CABINET
(Optional)



PEDESTAL
Rear View

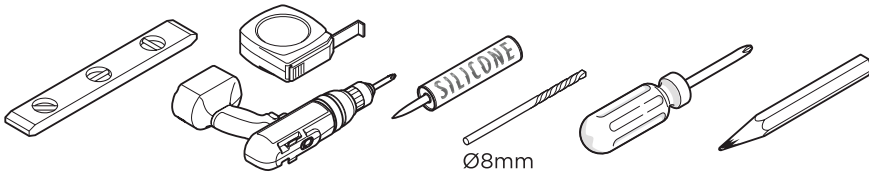
DRAIN
COVER
PLATE
(Optional)



PEDESTAL
Front View

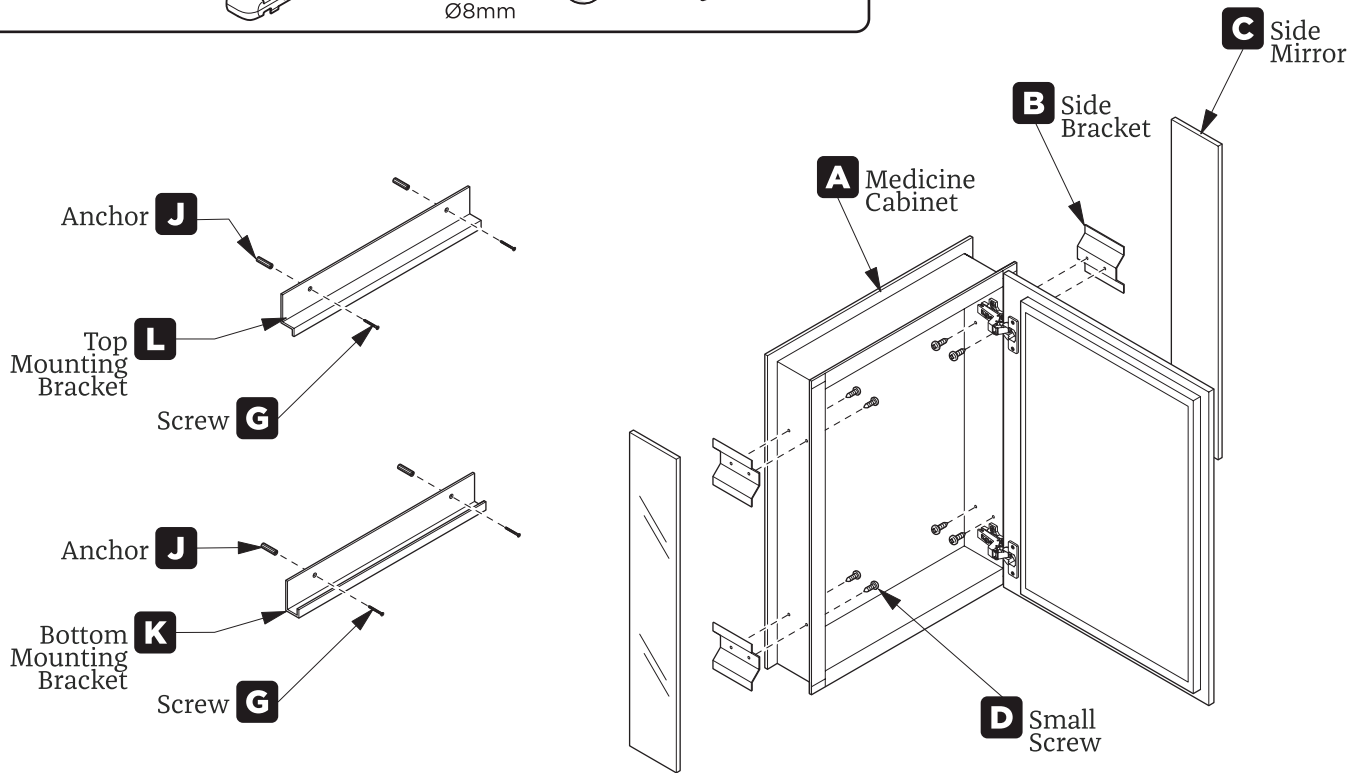
ALL DIMENSIONS &
SPECIFICATIONS ARE
APPROXIMATE AND
SUBJECT TO CHANGE
WITHOUT NOTICE.

TOOLS REQUIRED FOR INSTALLATION:



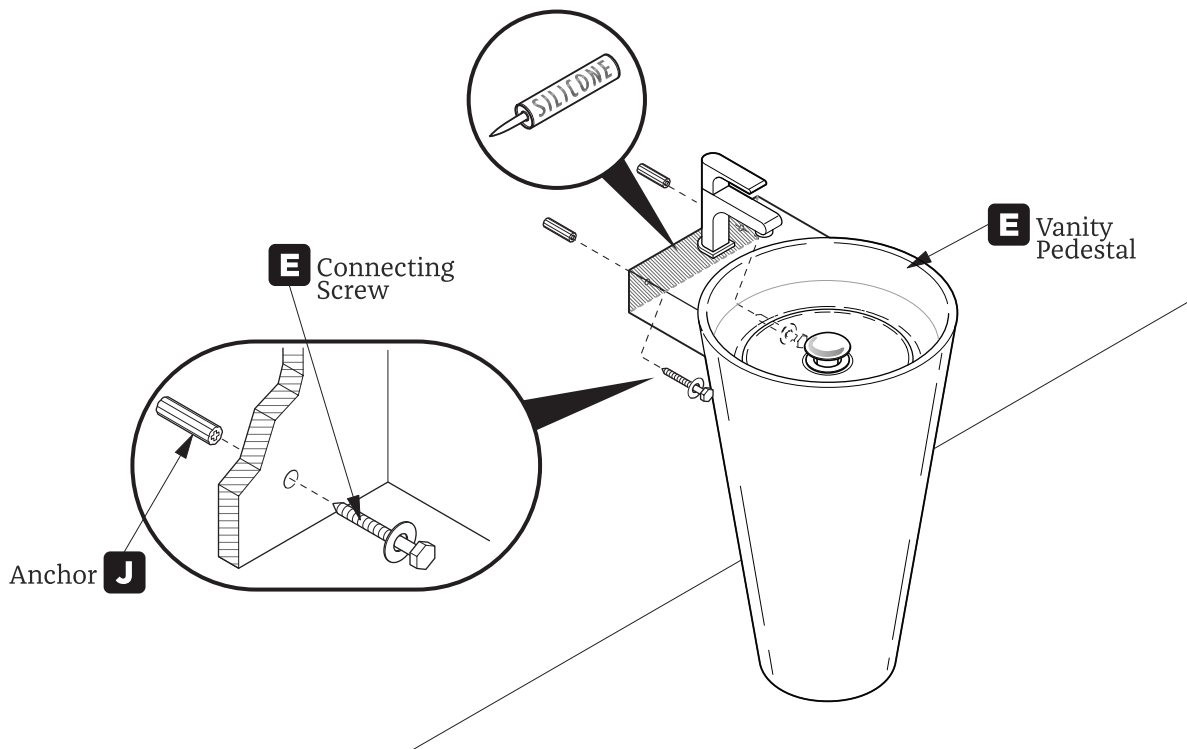
PARTS

MEDICINE CABINET



1. Connect the pedestal to the wall.

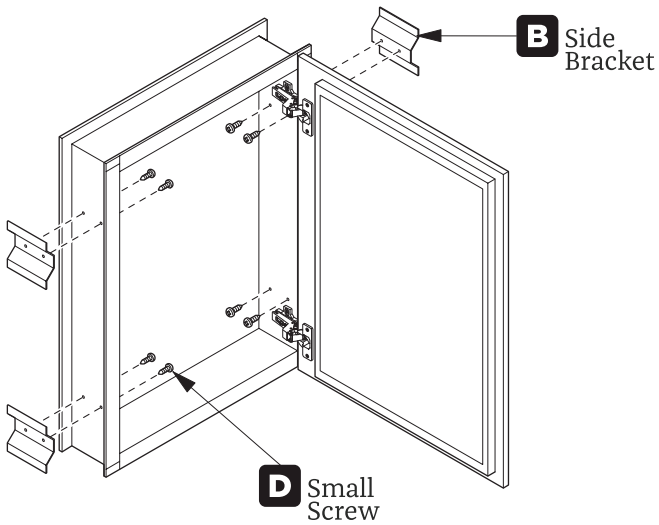
INSTALLATION



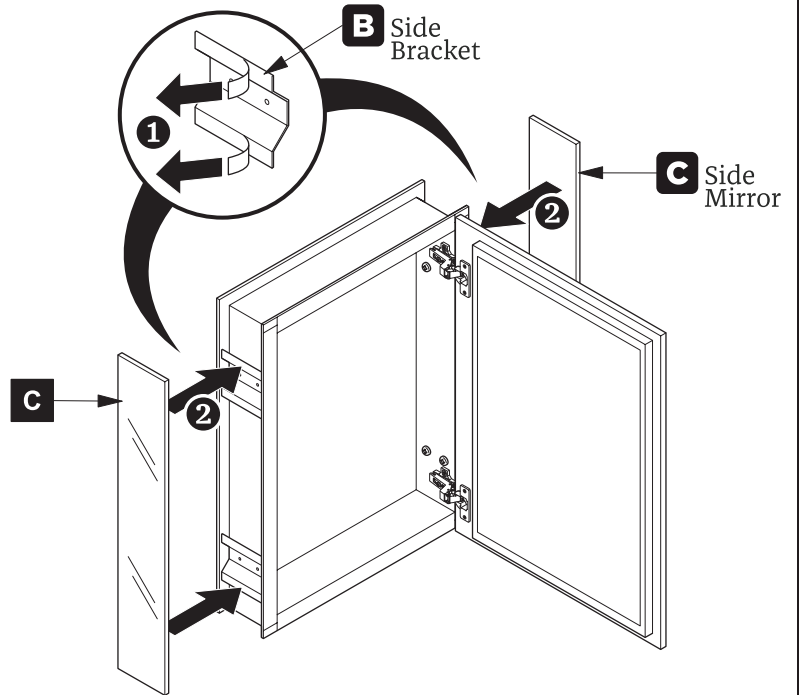
INSTALLATION

MEDICINE CABINET

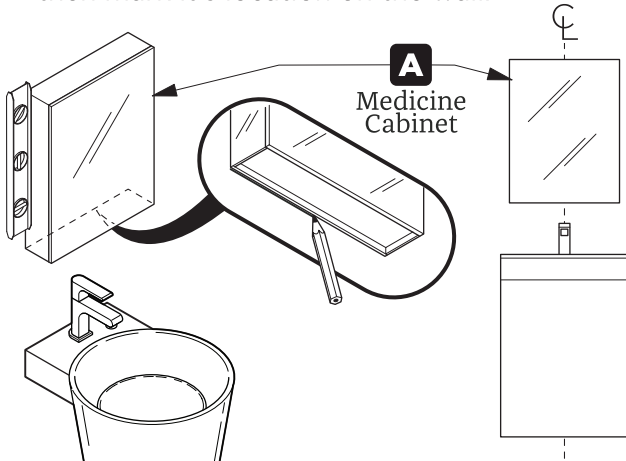
- 1.** Attach the brackets (B) to the cabinet's body using a small screws (D).



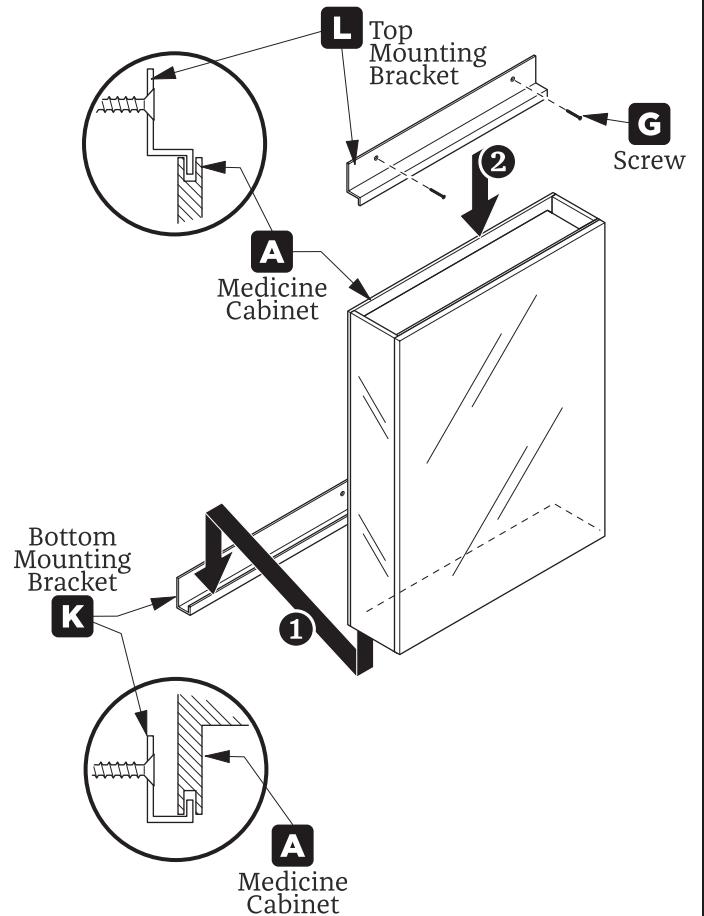
- 2.** Peel the tape from the brackets, exposing a sticky surface, then connect side mirrors (C) to the brackets (B).



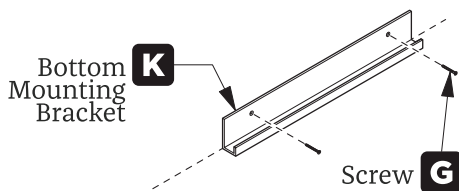
- 3.** Place cabinet (A) to designated location, then mark its location on the wall.



- 4.** With assistance, rest the cabinet on the bottom mounting bracket (K) and secure it by attaching a top bracket (L) to the wall.

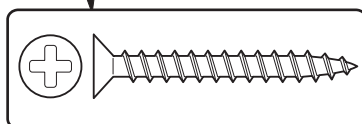


- 4.** Attach bottom bracket (K) to the wall.



IMPORTANT:

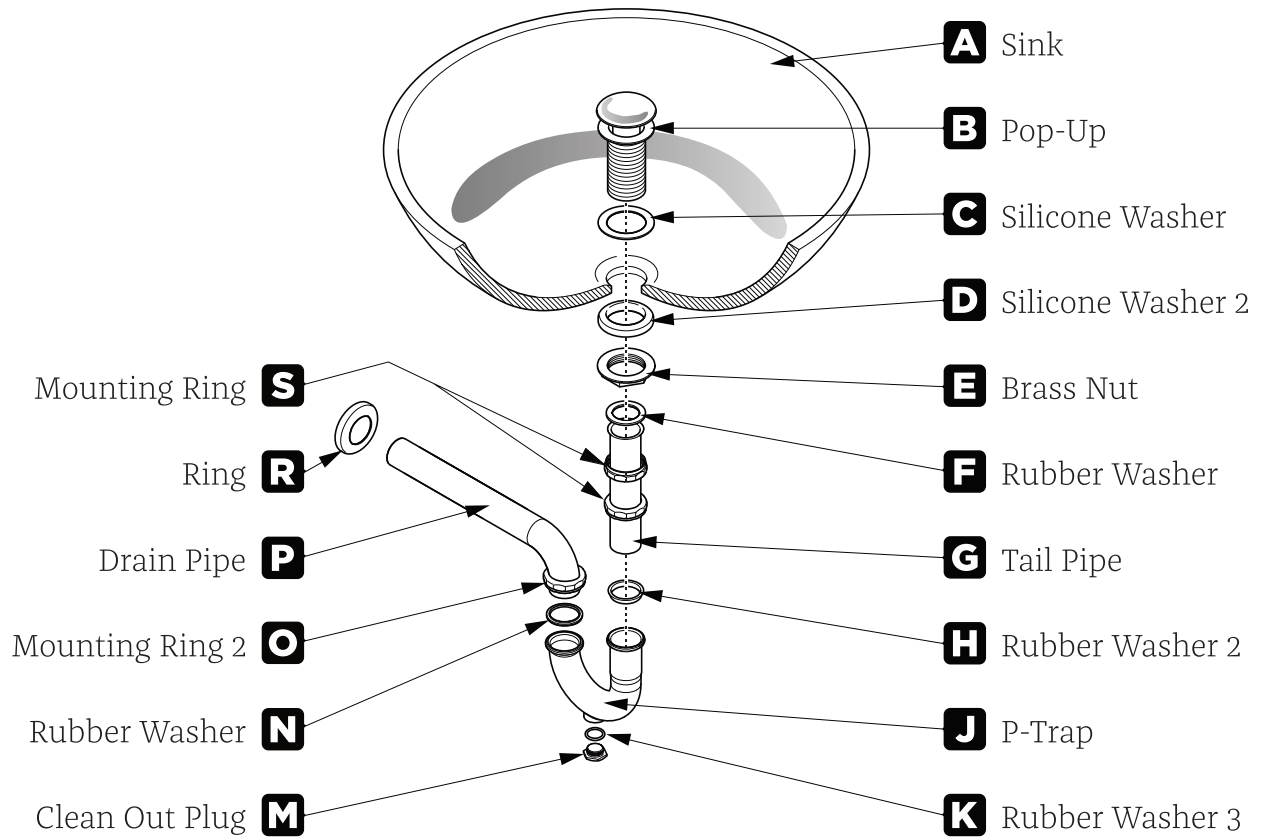
- CONSULT AN EXPERT FOR THE PROPER SCREWS/BOLTS TO USE WHEN ATTACHING TO VARIOUS WALL CONSTRUCTION TYPES.



POP-UP & P-TRAP

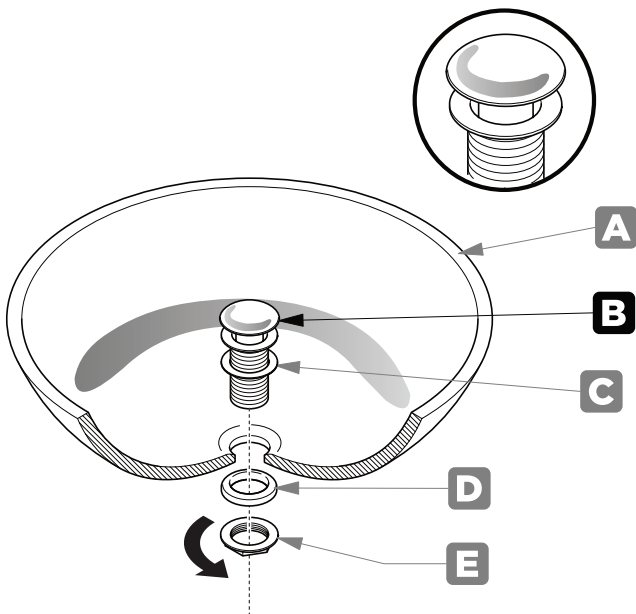
INSTALLATION INSTRUCTIONS

Your item may appear slightly different from the illustration.



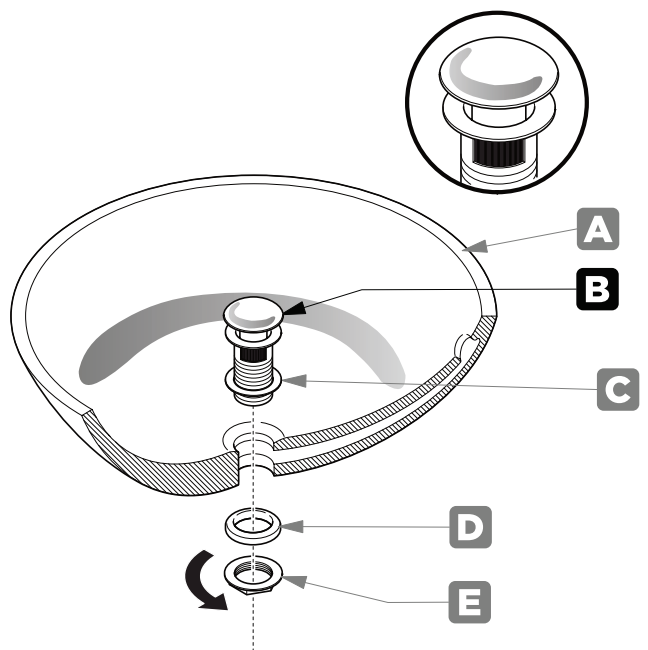
POP-UP INSTALLATION

FOR SINKS WITHOUT OVERFLOW



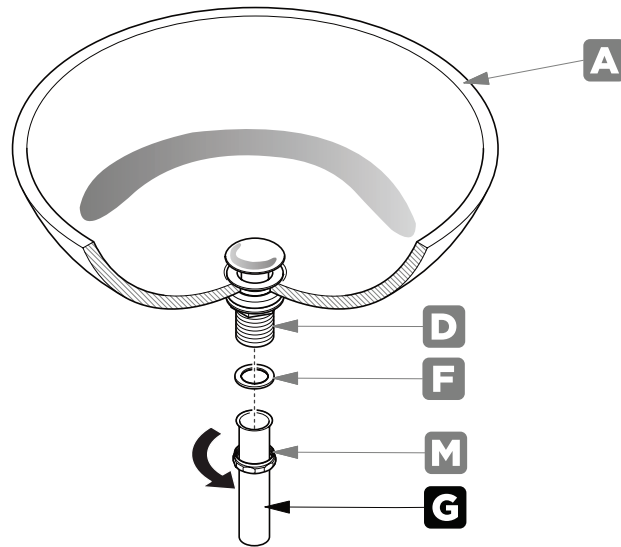
OR

FOR SINKS WITH OVERFLOW



P-TRAP INSTALLATION

1. Install tail pipe (G).



2. Install P-trap (J).

