



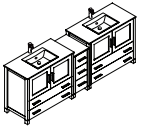
FVN62-361236-UNS

TORINO

INSTALLATION GUIDE

CONTENTS:

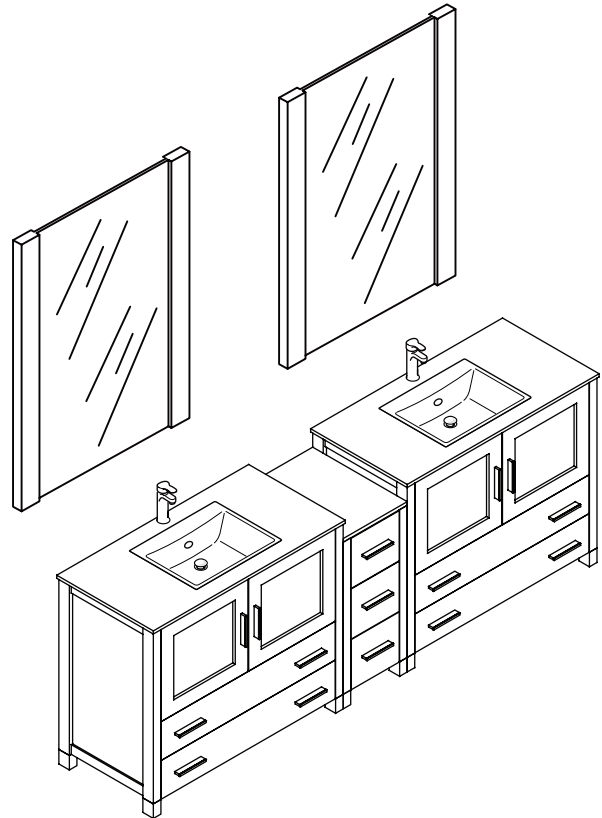
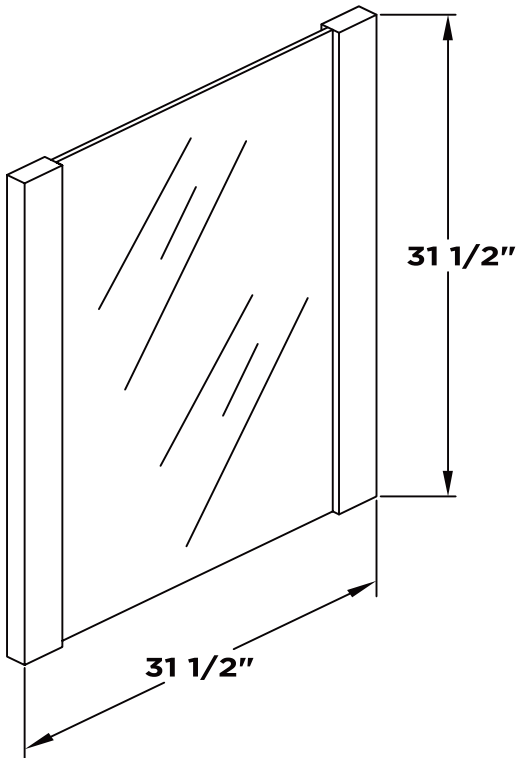
Cabinet	(FCB62-361236).....	PAGE 3
Sink	(FVS6236).....	PAGE 4
Mirror.....	(FMR6236).....	PAGE 2



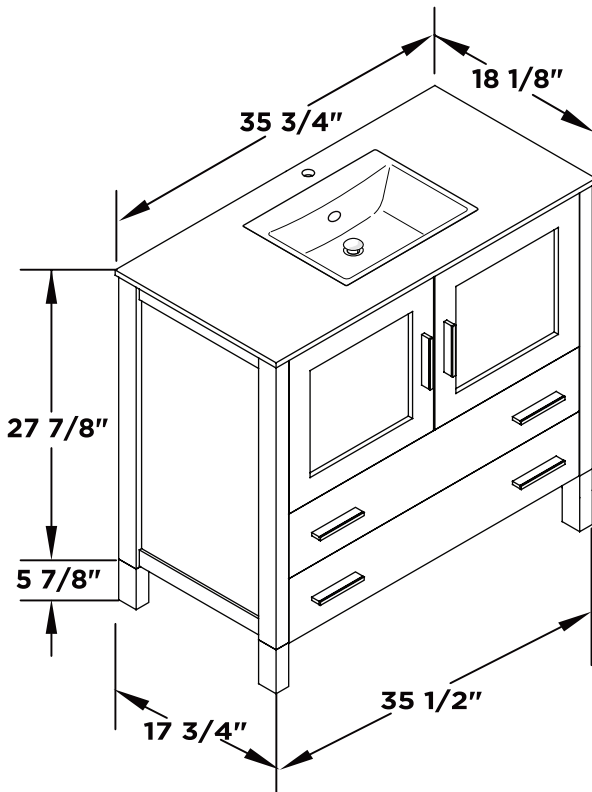
FVN62-361236-UNS
TORINO
INSTALLATION GUIDE



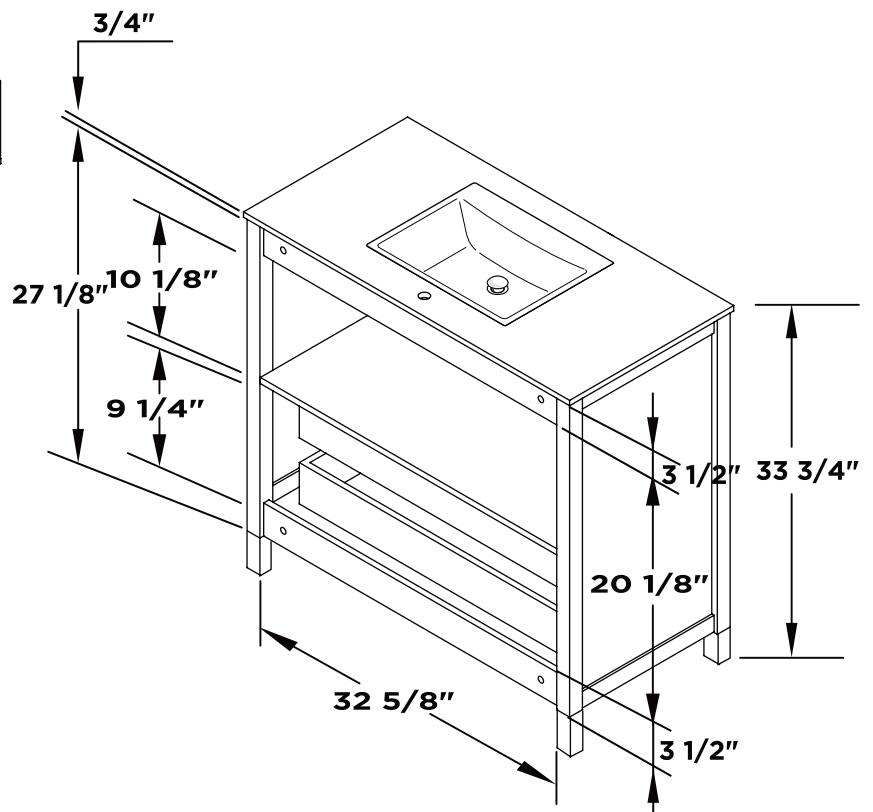
Mirror 2PCS



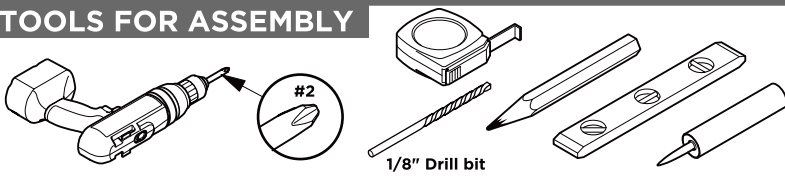
Vanity Front 2PCS



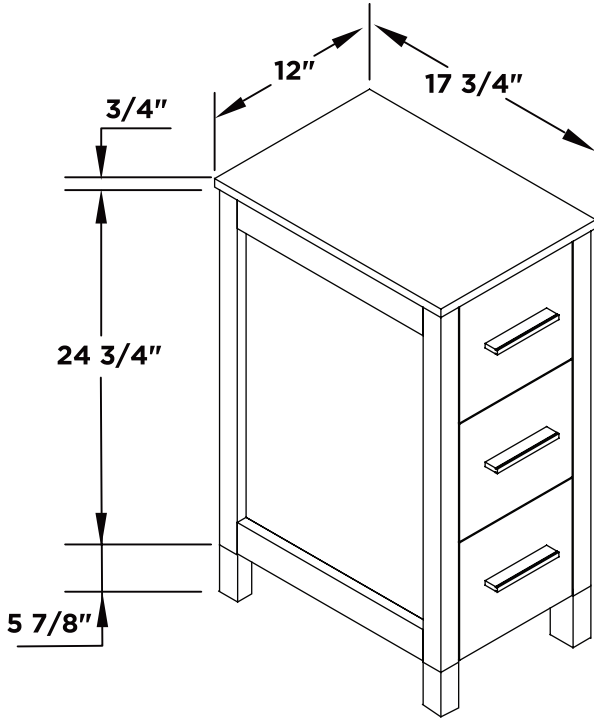
Vanity Back 2PCS



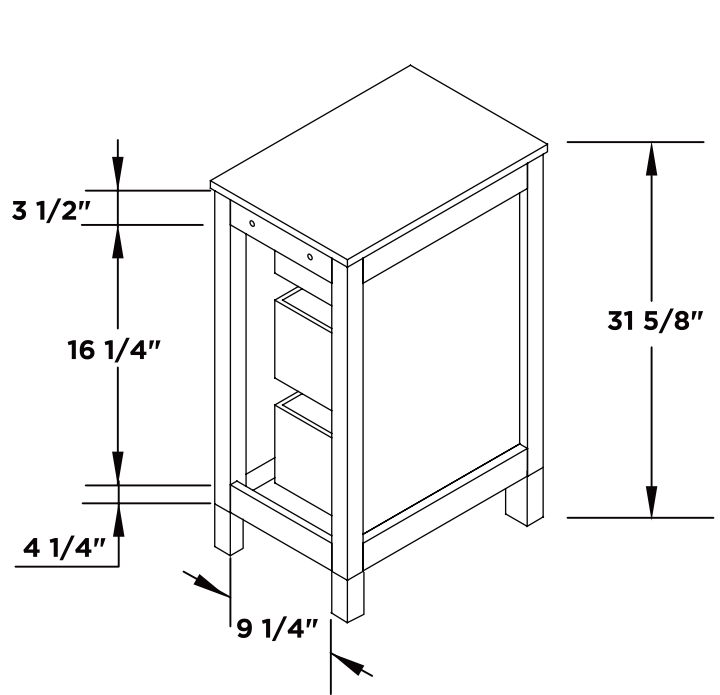
TOOLS FOR ASSEMBLY



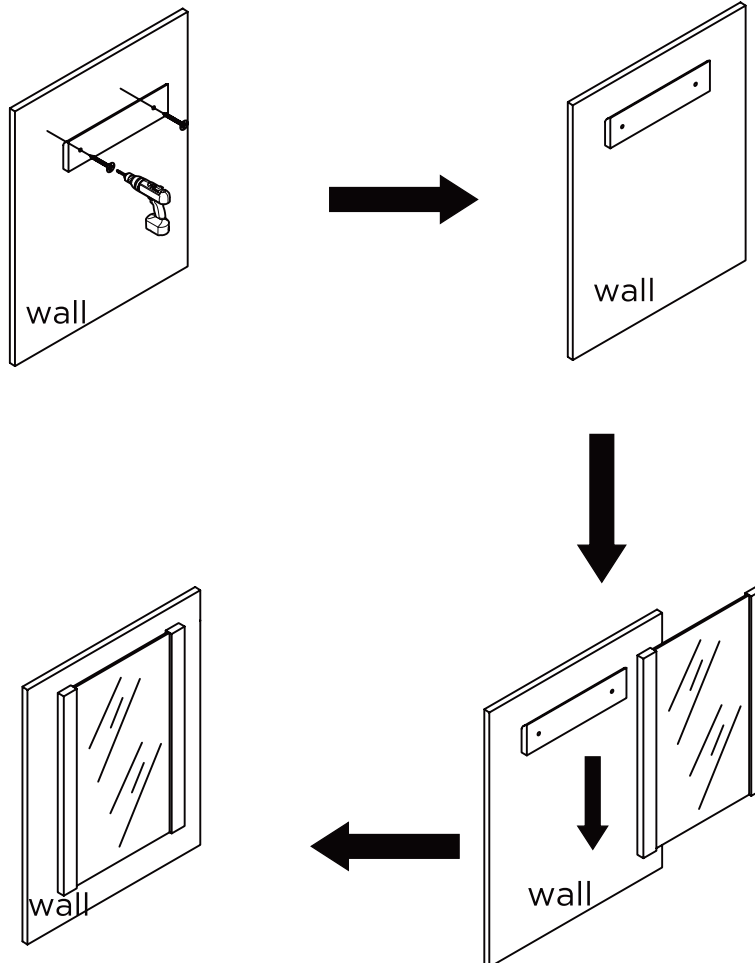
Side Cabinet Front



Side Cabinet Back

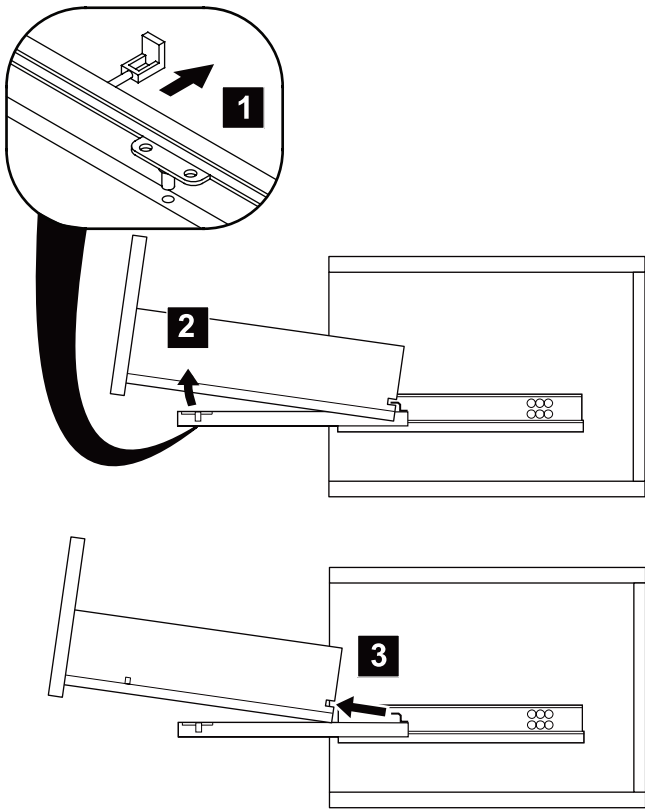


MIRROR INSTALLATION

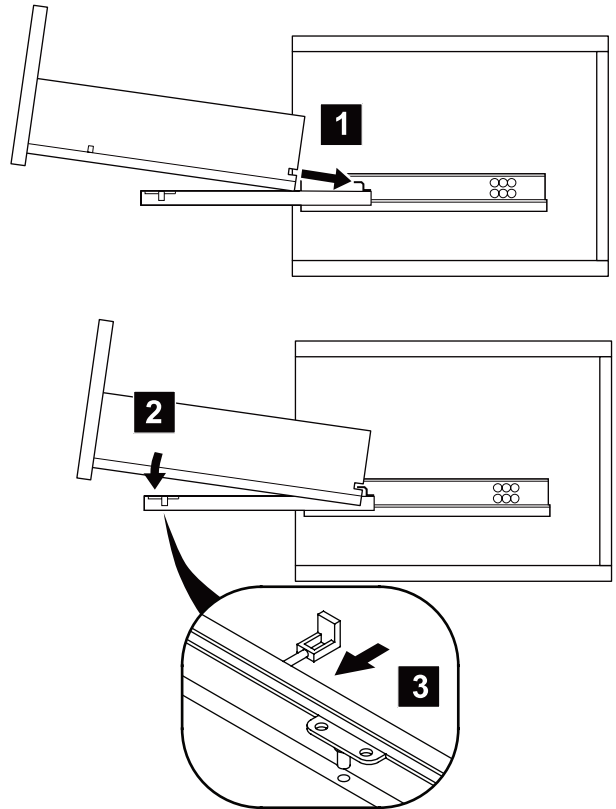


DRAWER REMOVAL & INSTALLATION

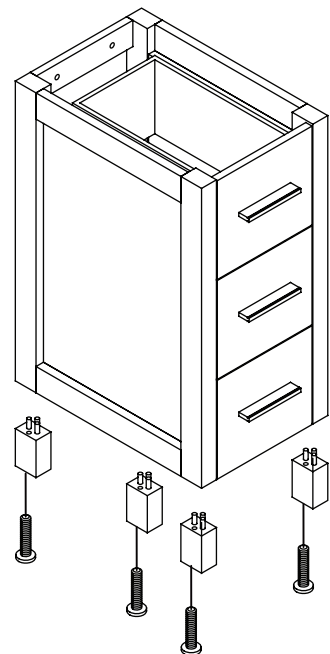
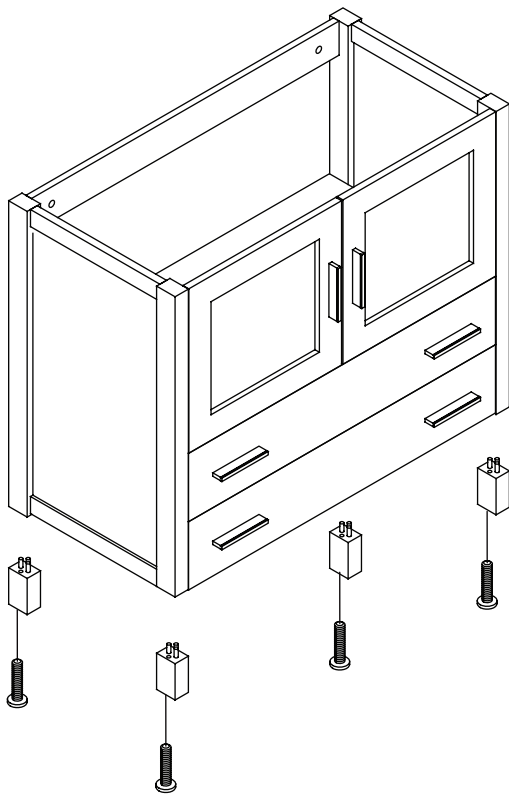
REMOVAL



INSTALLATION



1 Install leg



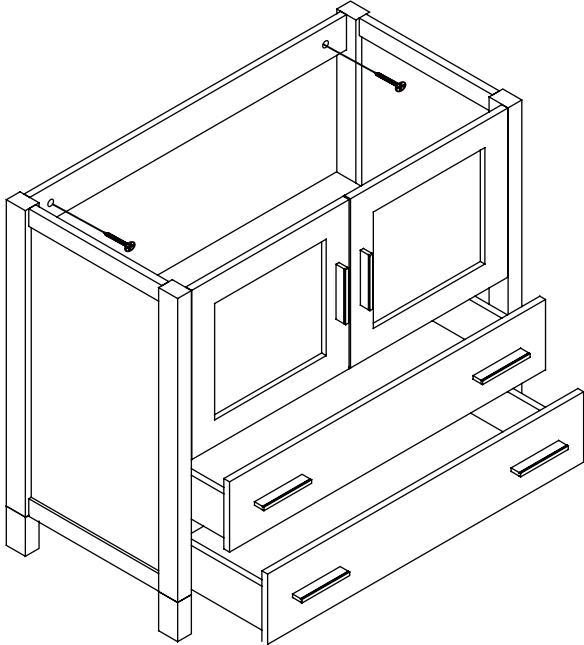
2

Remove side cabinet drawer

3

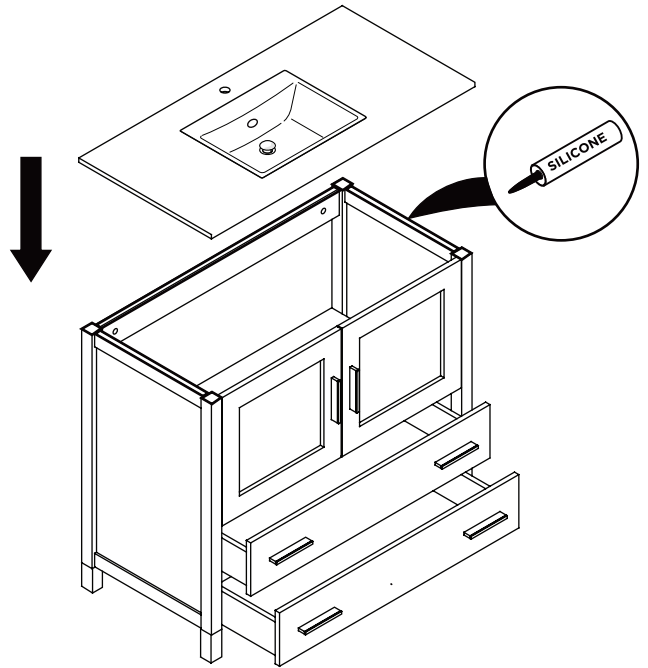
Install side cabinet

IMPORTANT: Consult an expert for the proper screws/bolts to use when attaching to various wall constructions. Screws provided do not attach to all wall construction types.



4

Install top panel

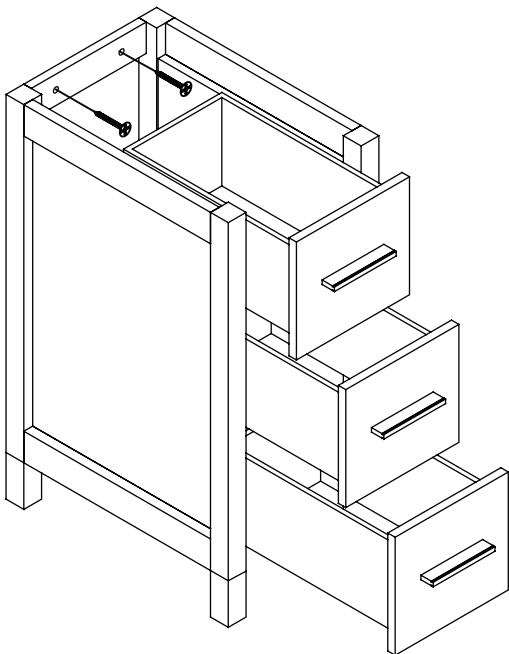


5

Remove side cabinet drawer

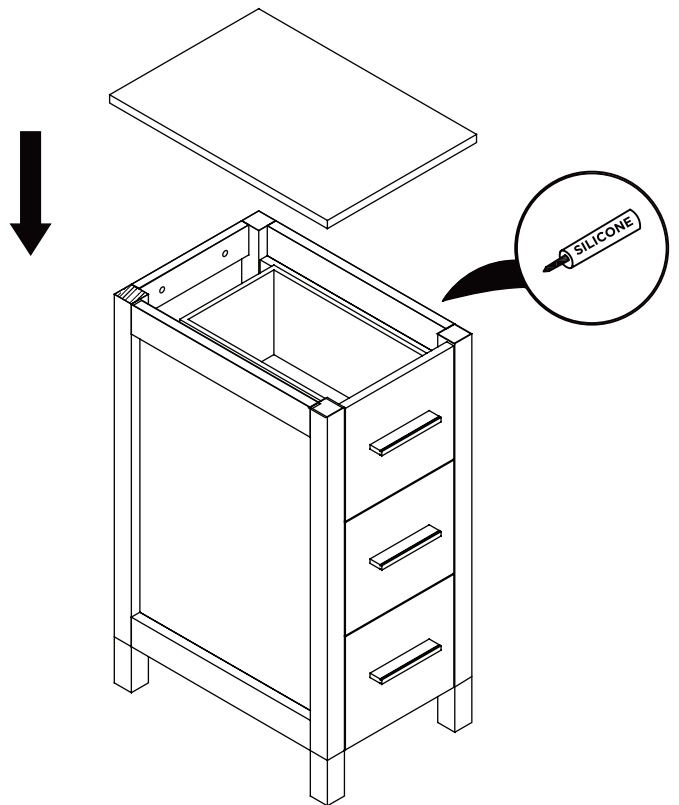
6

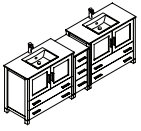
Install side cabinet



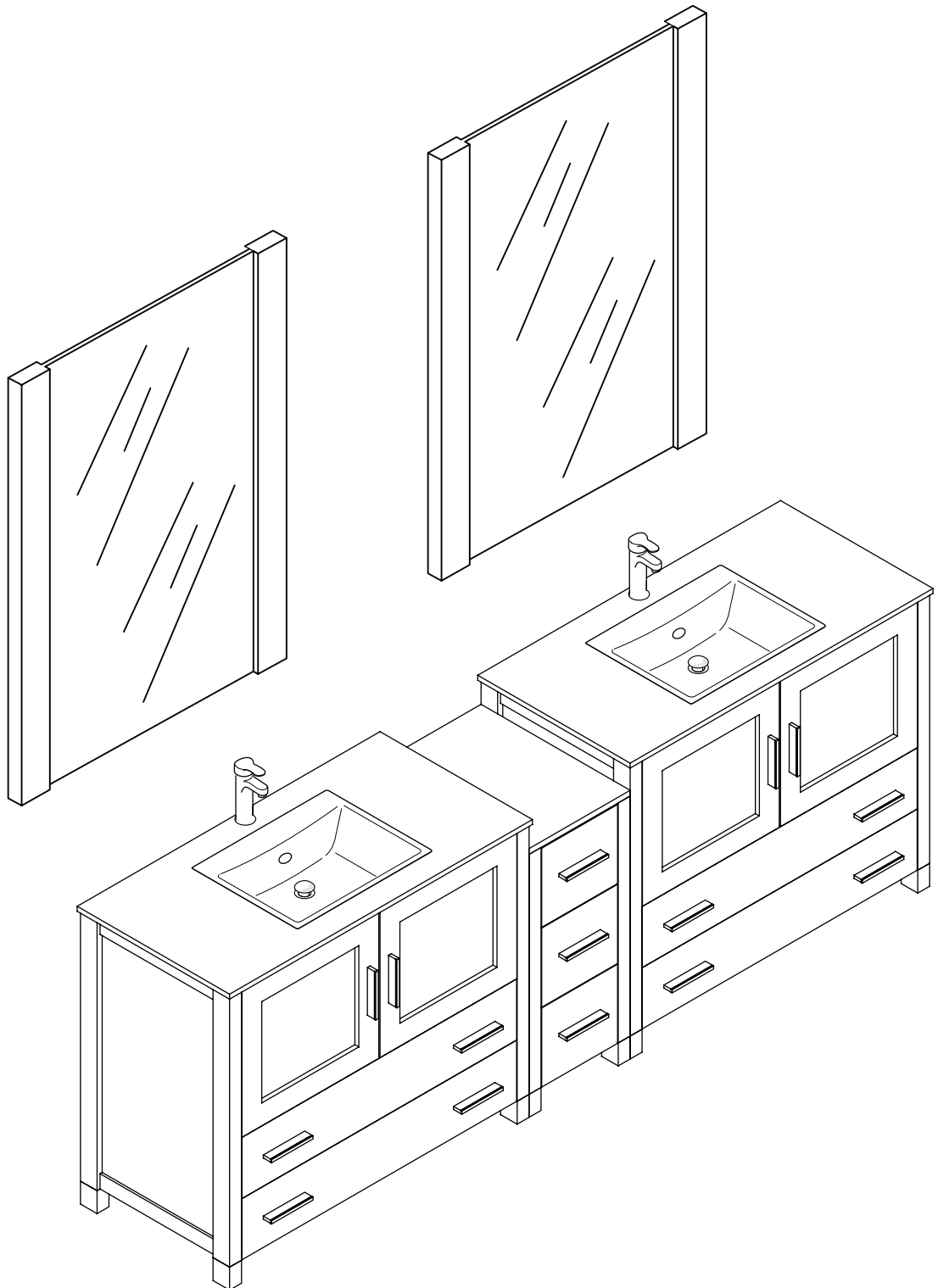
7

Install side cabinet top panel





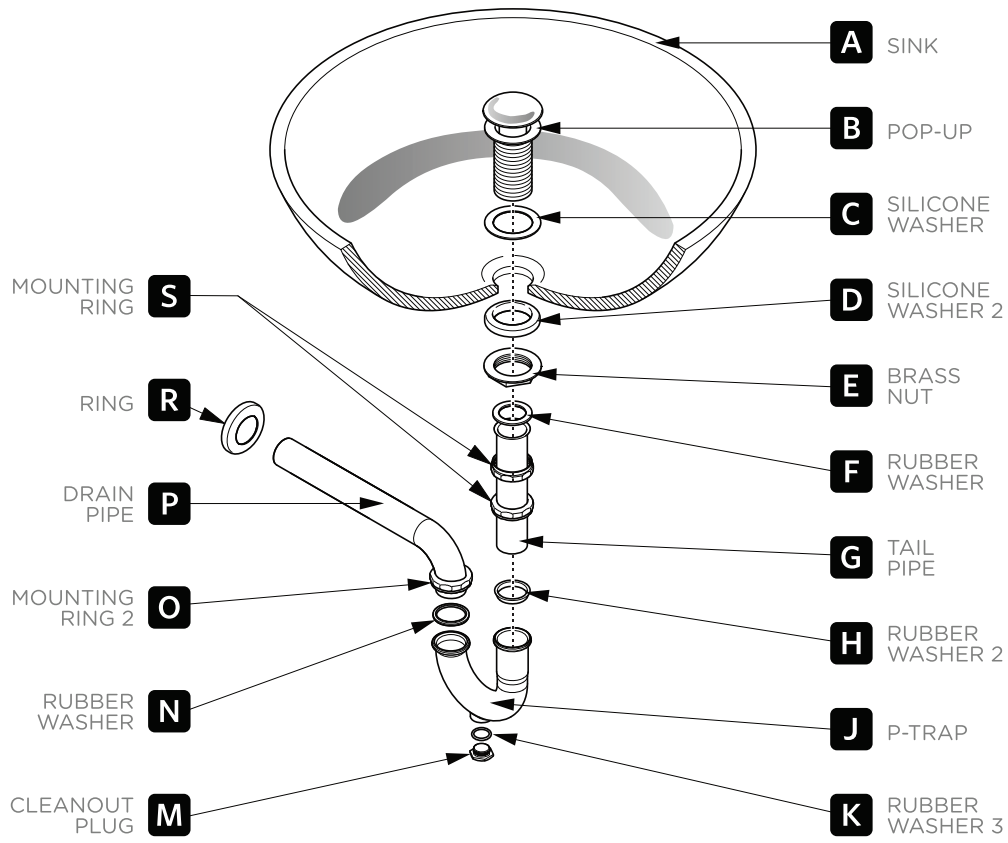
FVN62-361236-UNS TORINO INSTALLATION GUIDE



P-TRAP & POP-UP

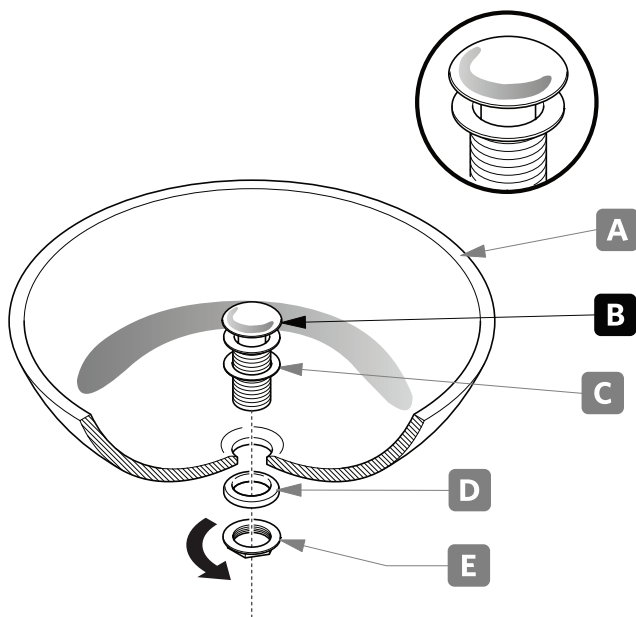
INSTALLATION INSTRUCTIONS

Your item may appear slightly different from the illustration.



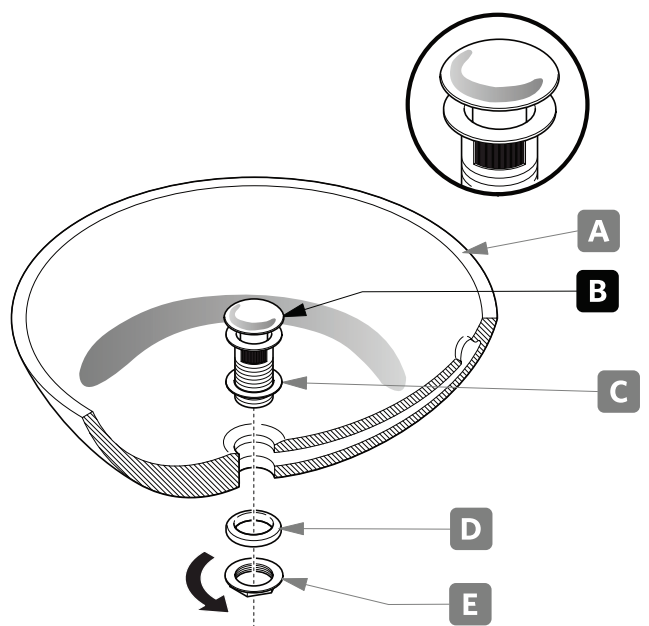
POP-UP INSTALLATION

FOR SINKS WITHOUT OVERFLOW



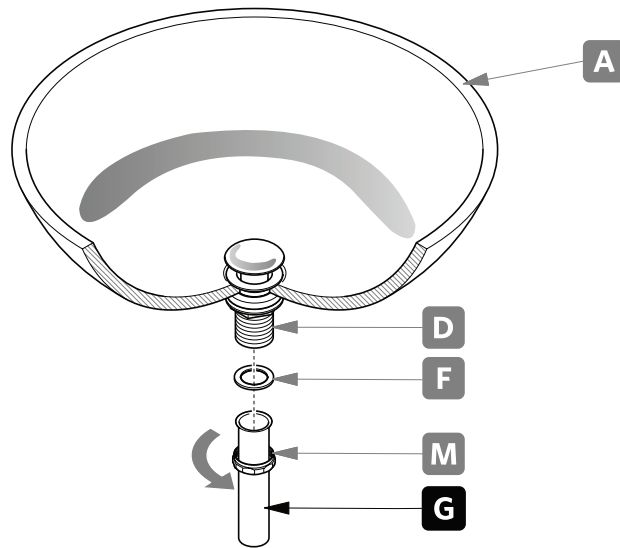
OR

FOR SINKS WITH OVERFLOW



P-TRAP INSTALLATION

1. Install tail pipe (**G**).



2. Install P-trap (**J**).

