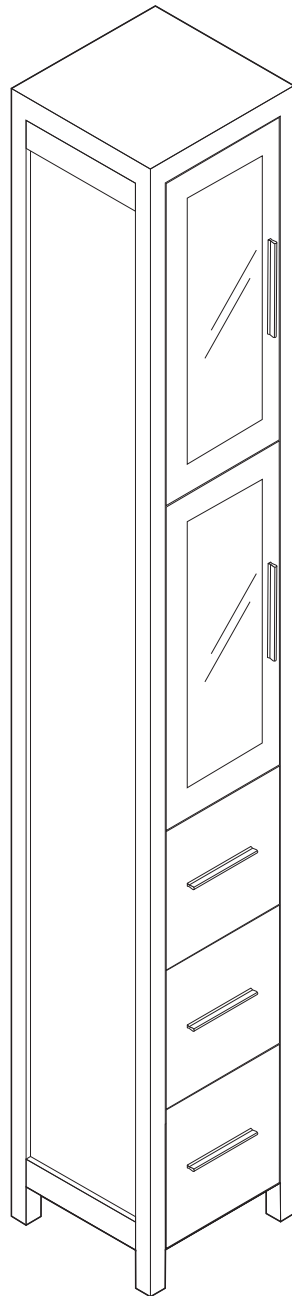
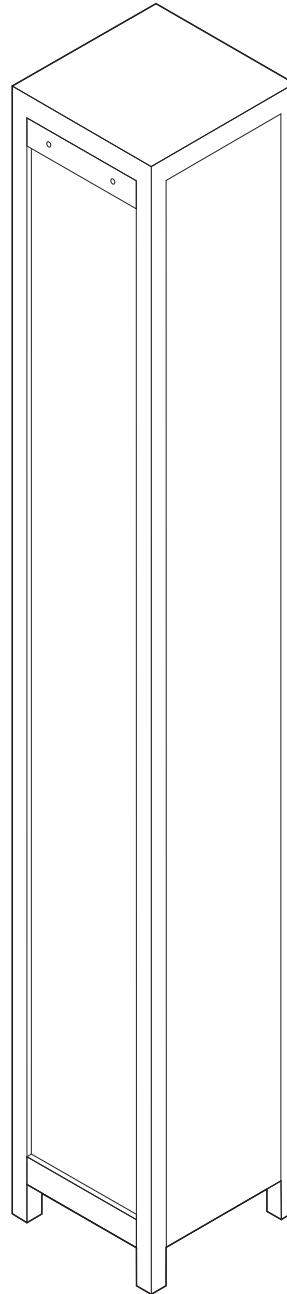




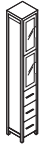
**FST6260**  
**TORINO** linen cabinet  
**INSTALLATION GUIDE**



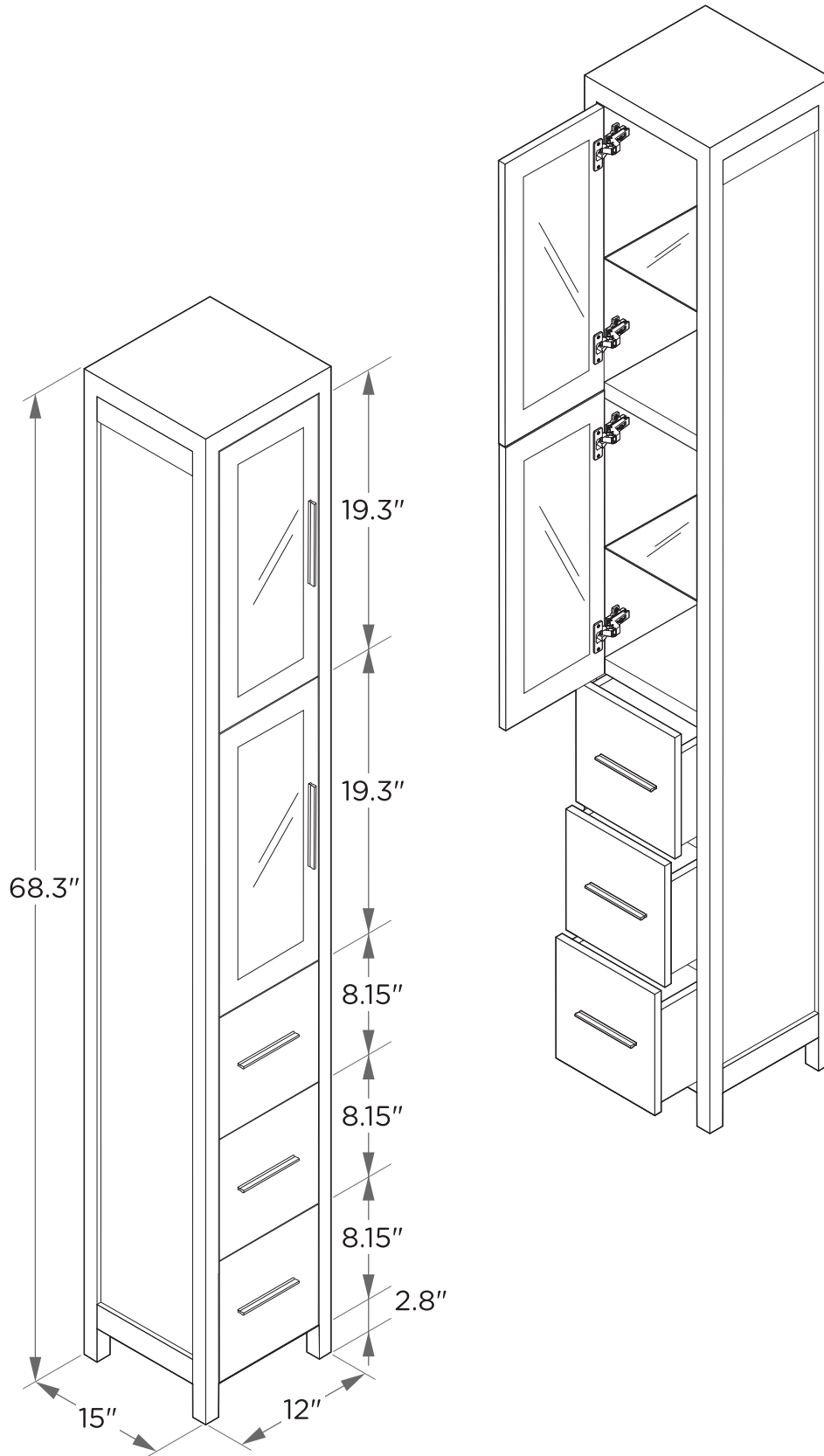
**Linen Cabinet**  
front view



**Linen Cabinet**  
rear view

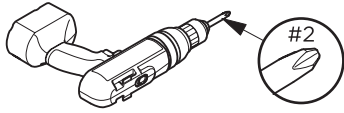


**DIMENSIONS**

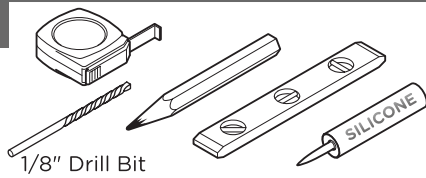


**NOTE:** ALL DIMENSIONS & SPECIFICATIONS ARE APPROXIMATE AND SUBJECT TO CHANGE WITHOUT NOTICE.

## TOOLS FOR ASSEMBLY



#2



1/8" Drill Bit

SILICONE

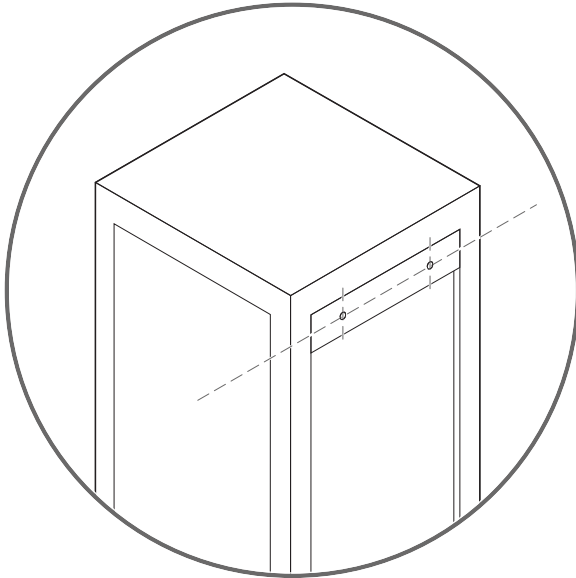
## SIDE CABINET INSTALLATION

2

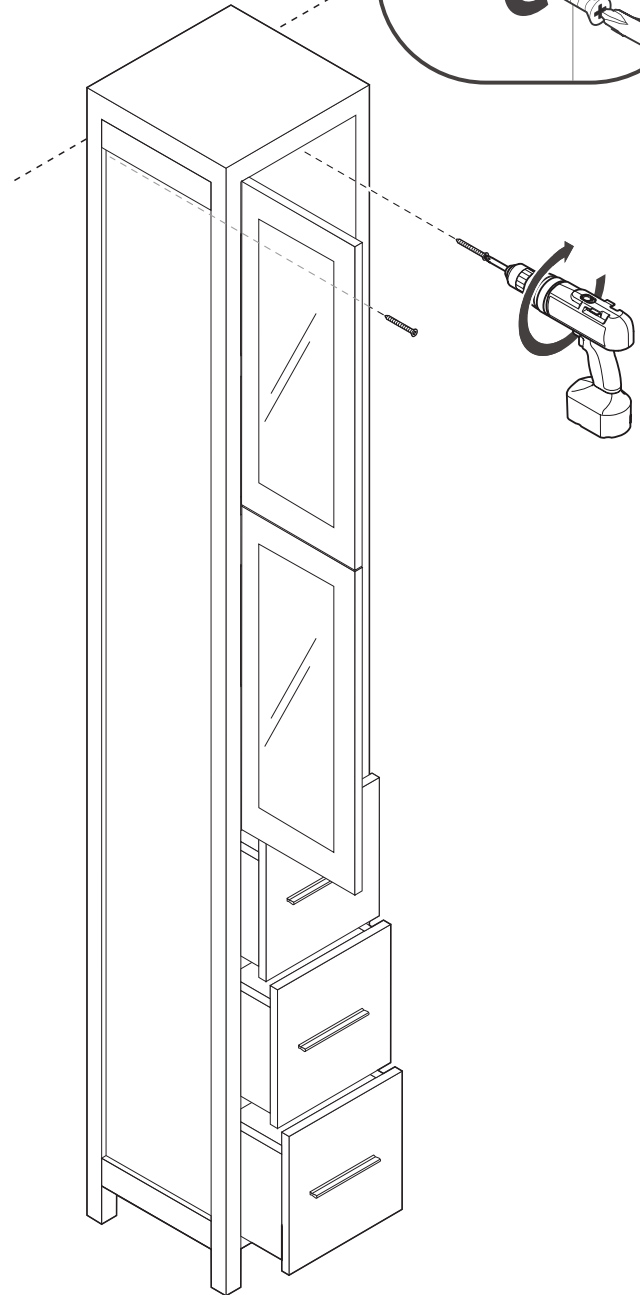
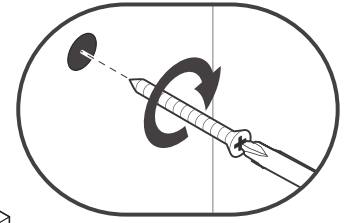
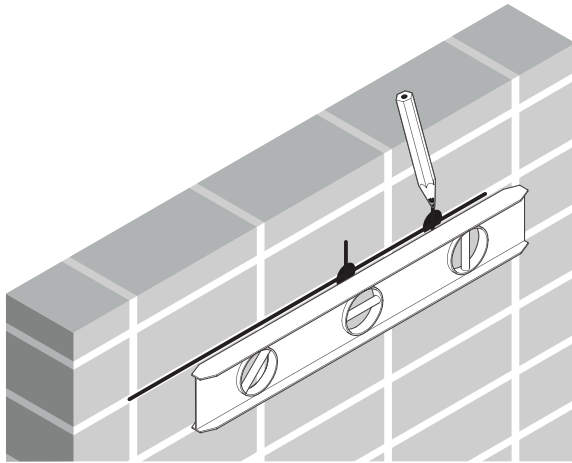
Attach side cabinet to the wall with screws using a drill.

1

Mark the wall with a pencil using a level for the mounting position.



Linen Side Cabinet  
rear view



**NOTE:**

Consult an expert for the proper screws/bolts to use when attaching to various constructions. Screws provided do not attach to all wall construction types. Anchors are not required if brackets are installed in the stud.



FST6260

TORINO

INSTALLATION GUIDE

PAGE 3