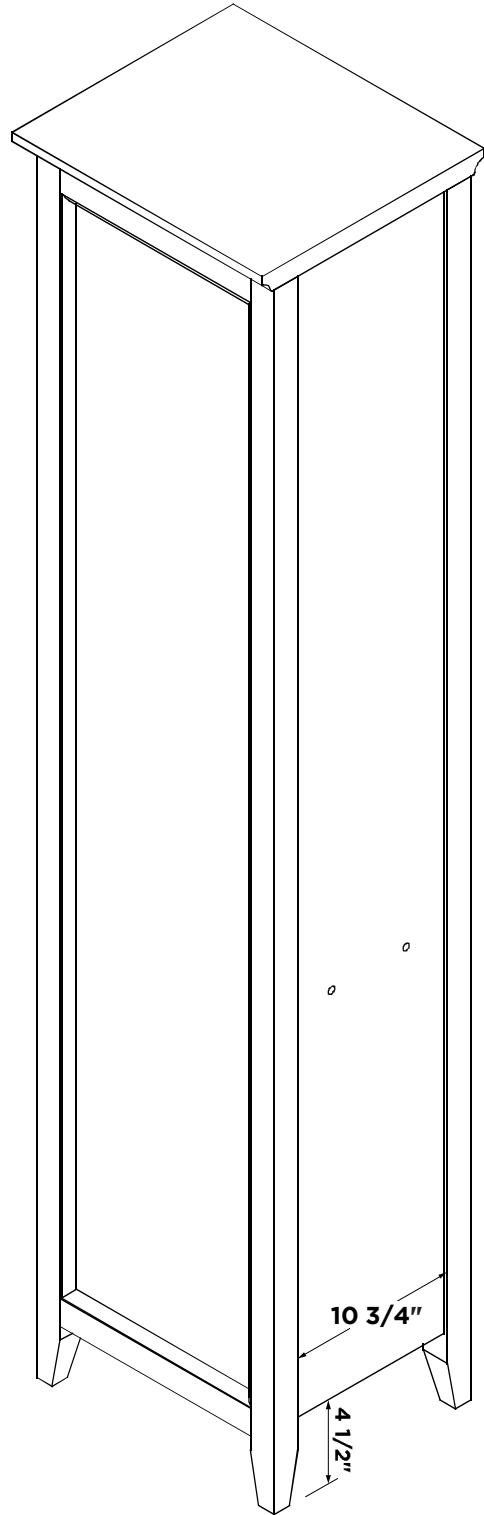
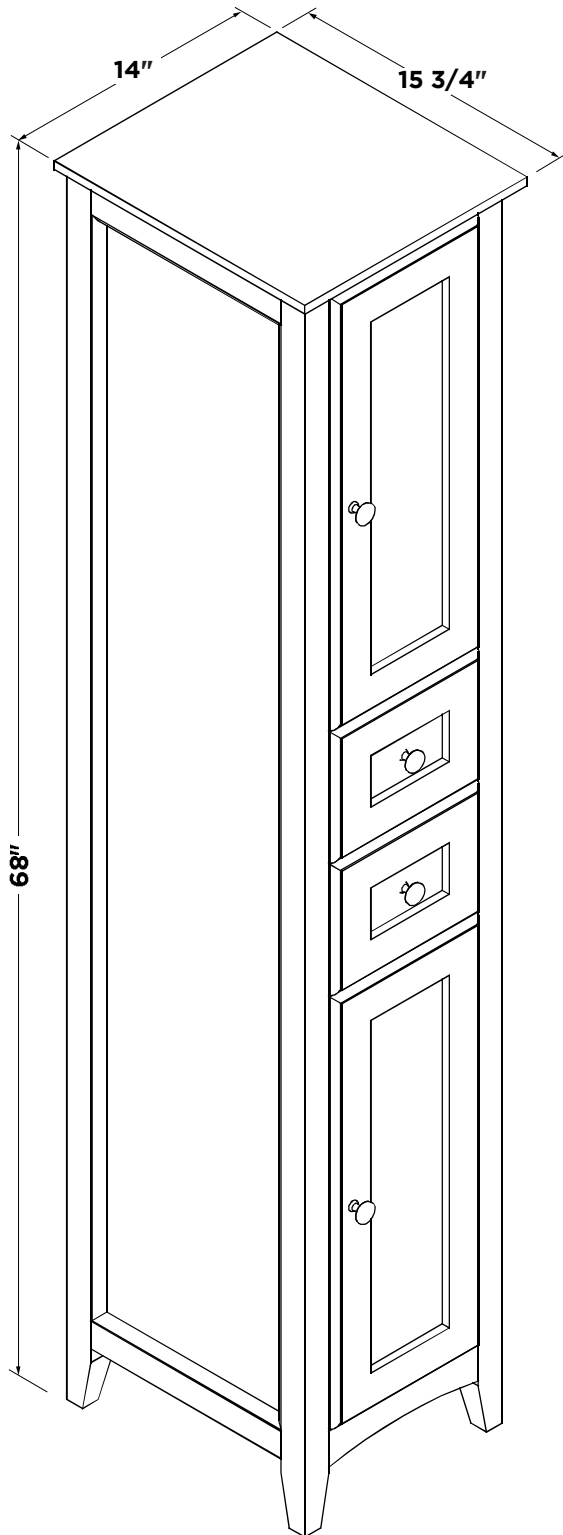




FST2060
OXFORD
INSTALLATION GUIDE

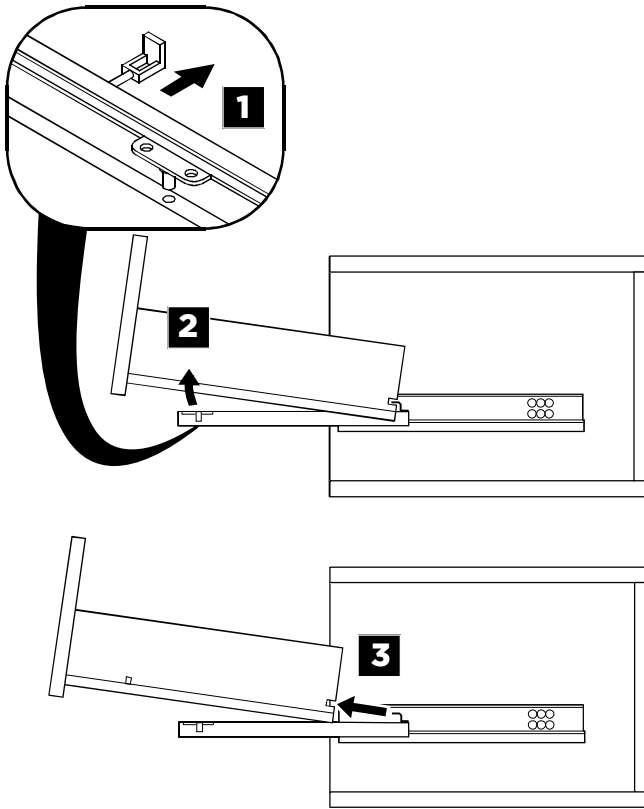


Note: All dimensions and specifications are approximate and subject to change without notice.

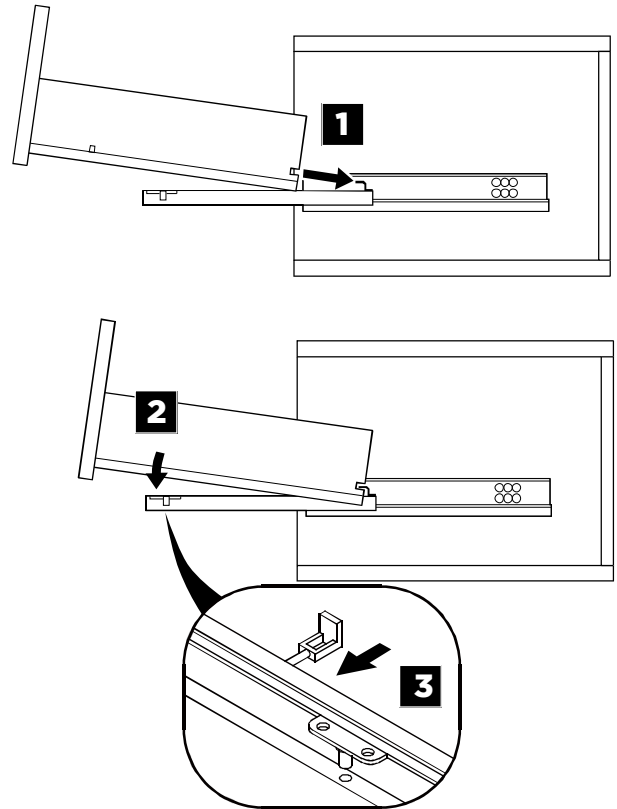


DRAWER REMOVAL & INSTALLATION

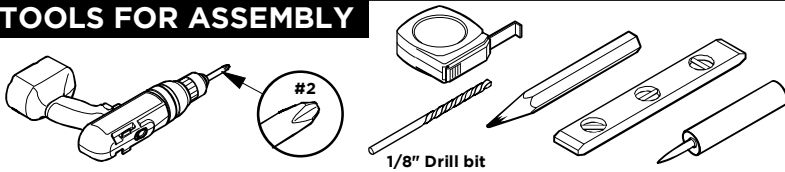
REMOVAL



INSTALLATION

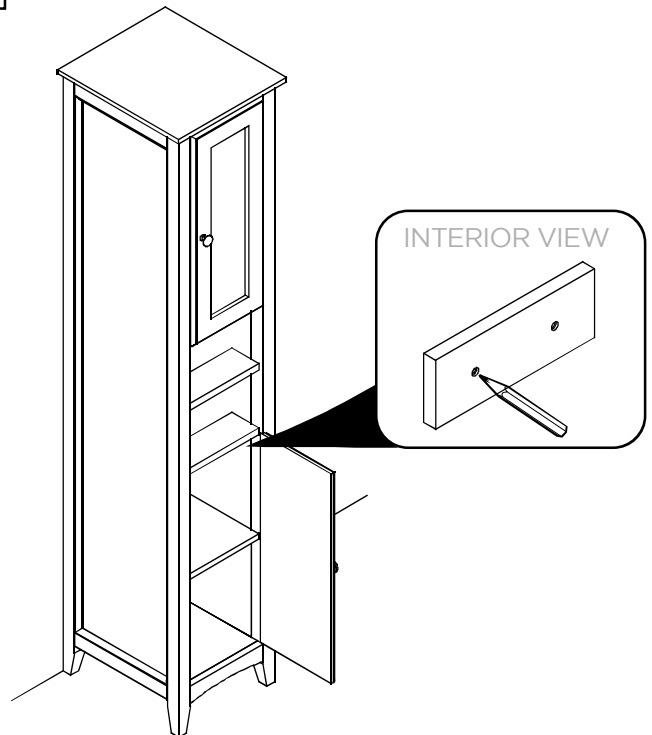
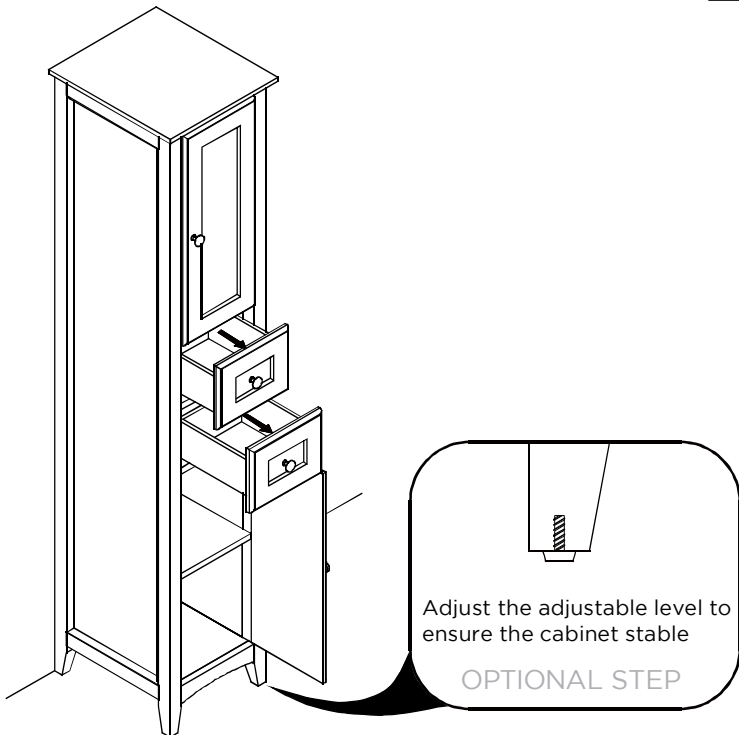


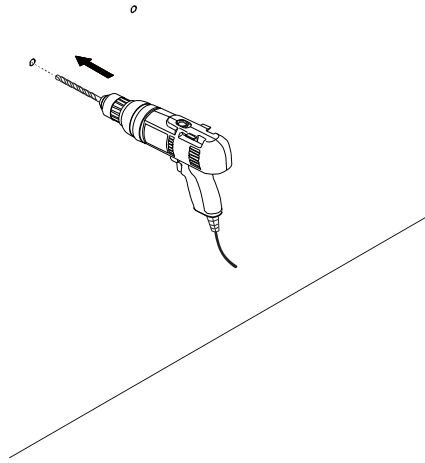
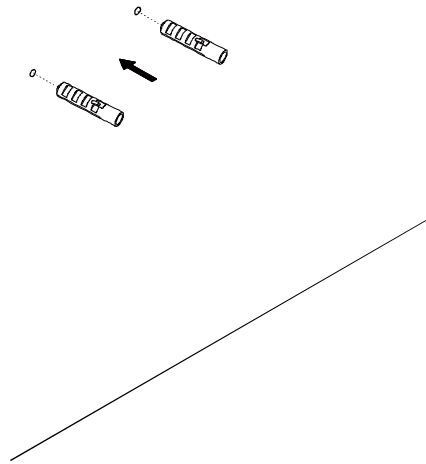
TOOLS FOR ASSEMBLY



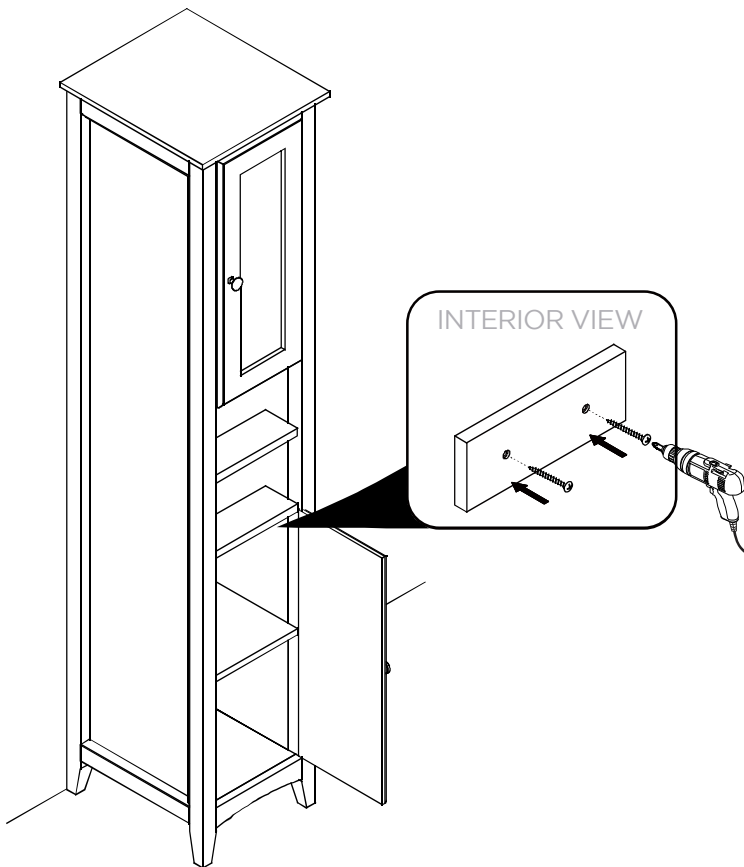
1 Level the cabinet and then open the drawers and door as illustrated shown

2 Mark the installing position



3**Drill the installation holes accordingly****4****Insert the expansible plastic plugs****5****Install cabinet**

IMPORTANT: Consult an expert for the proper screws/bolts to use when attaching to various wall constructions. Screws provided do not attach to all wall construction types.

**6****Reinstall the drawer and close the door**