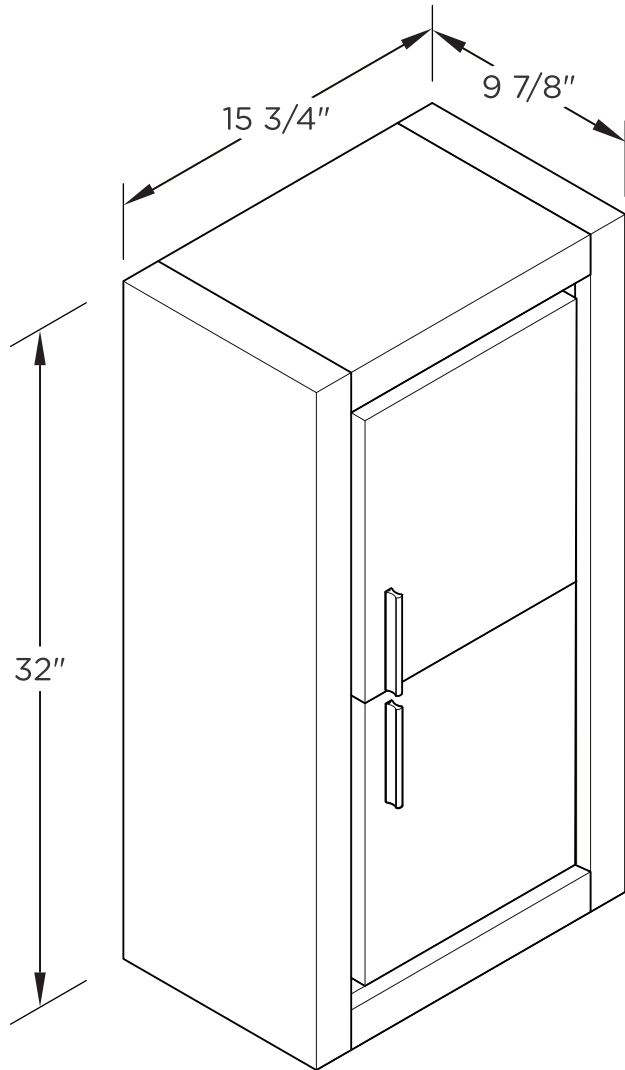
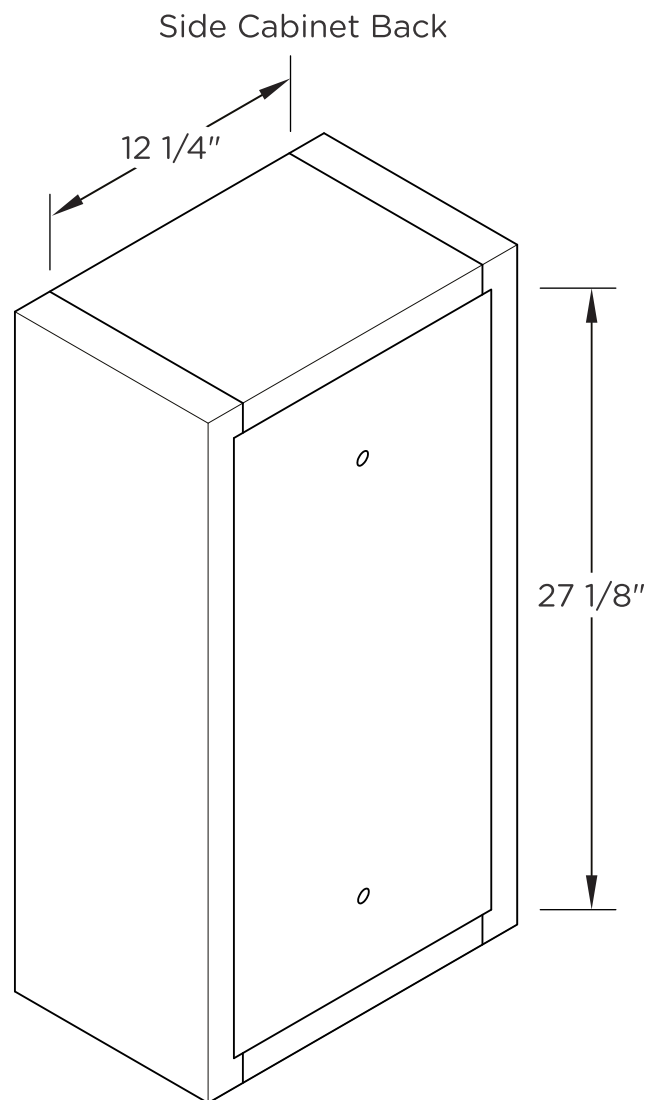


FST8140 SIDE CABINET INSTALLATION GUIDE

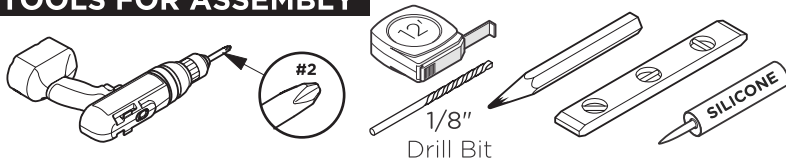


Side Cabinet Front



*All dimensions & specifications are approximate and subject to change without notice.

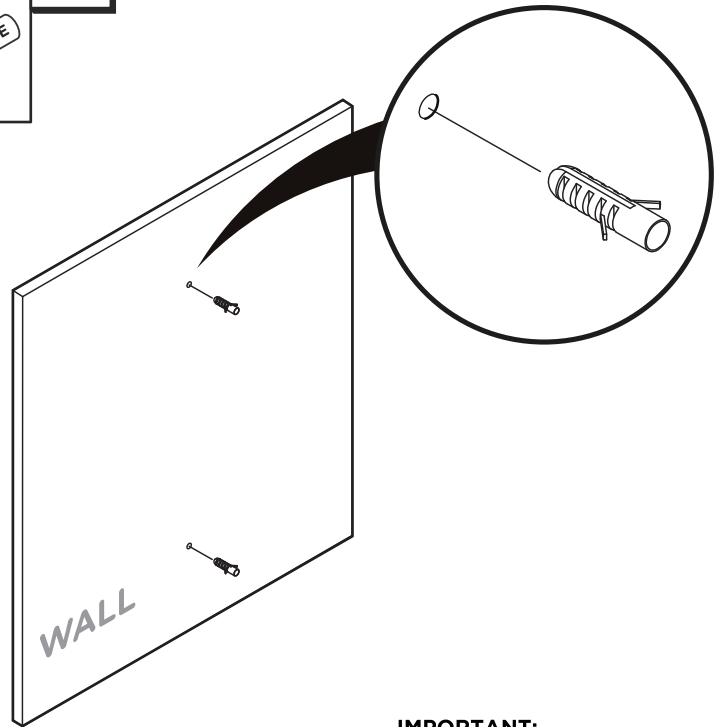
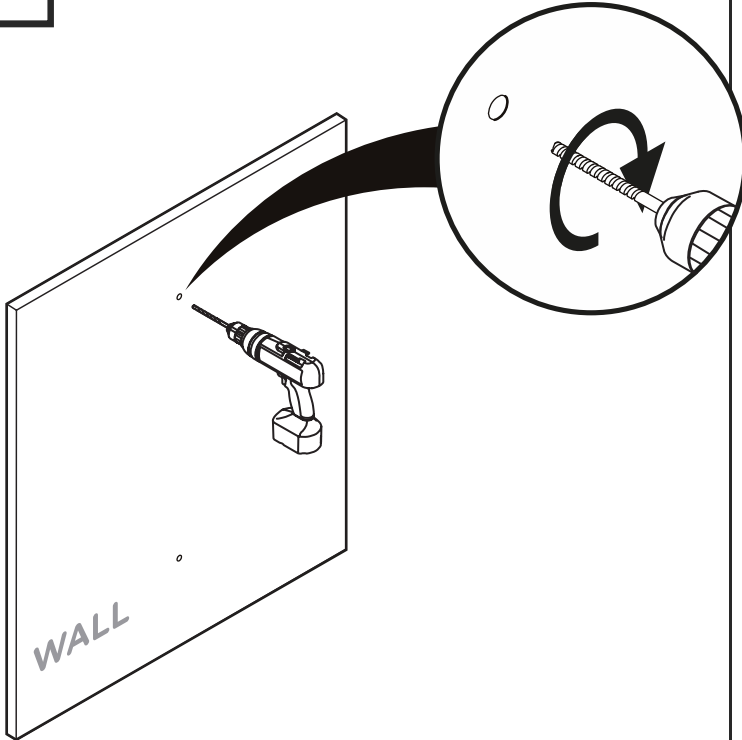
TOOLS FOR ASSEMBLY



2

Insert the anchors

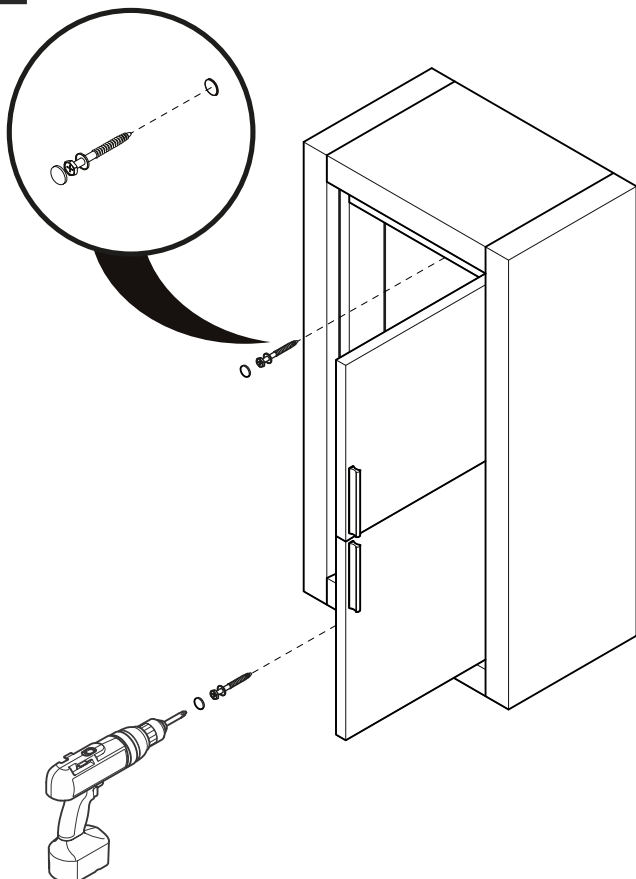
1 Drill holes in the wall



IMPORTANT:

Consult an expert for the proper screws/bolts to use when attaching to various constructions. Screws provided **do not** attach to all wall construction types. Anchors are not required if brackets are installed in stud.

3 Attach side cabinet to the wall



FST8140
FINAL PRODUCT

