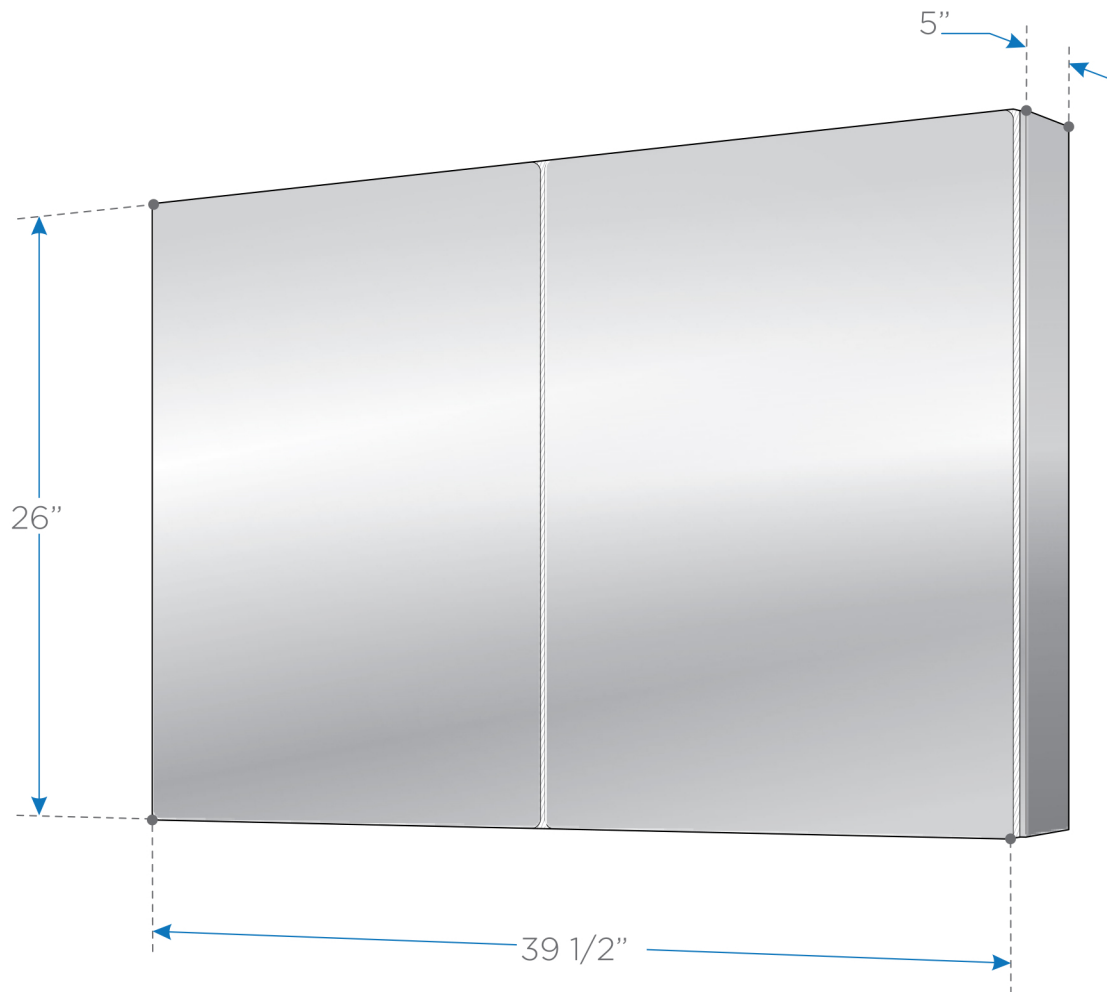


# FMC8010

Wide Bathroom Medicine Cabinet w/ Mirrors



## Installation Type:

- Recessed / Surface Mounted

**BOX DIMENSIONS: L47" W32" H12" G.W.58LB**

