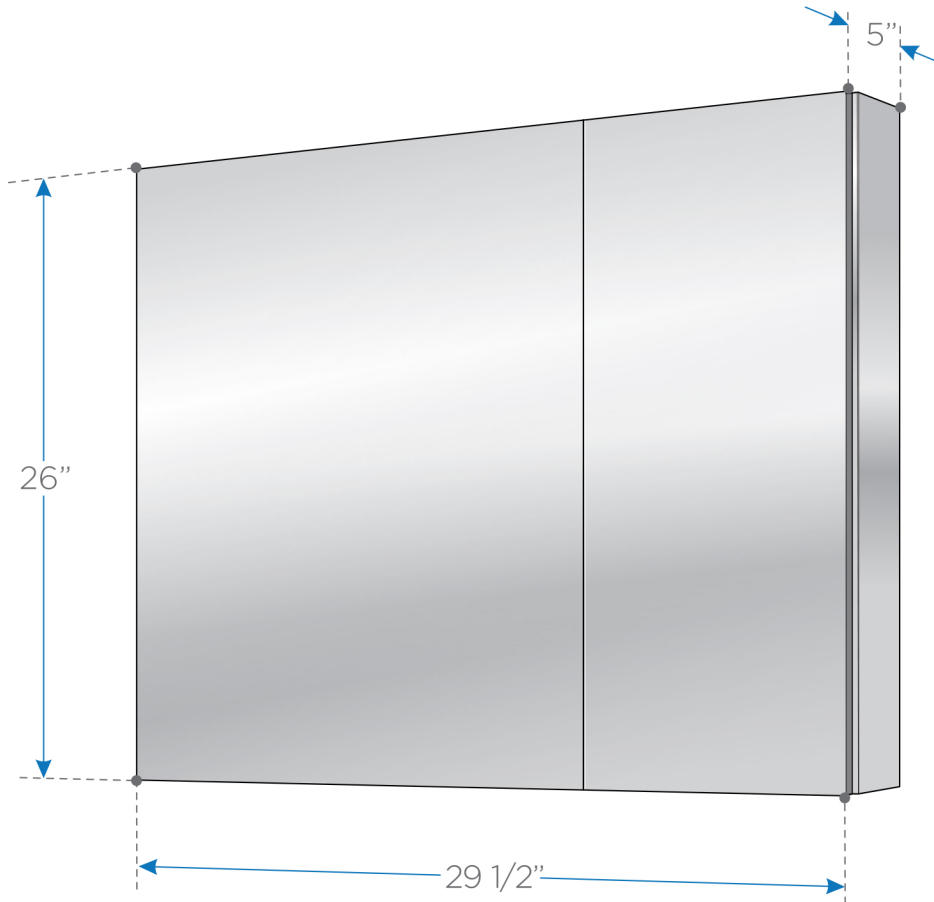


FMC8090

Wide Bathroom Medicine Cabinet w/ Mirrors



Installation Type:

- Recessed / Surface Mounted

BOX DIMENSIONS: L36" W32" H12" G.W.48 1/2LB

