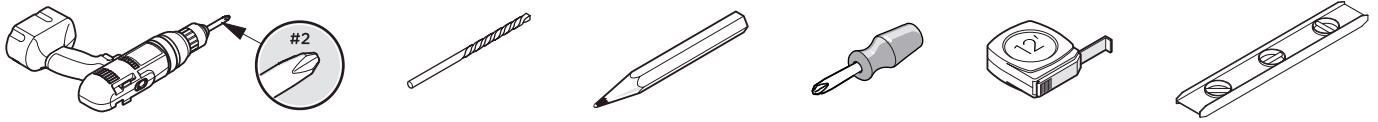


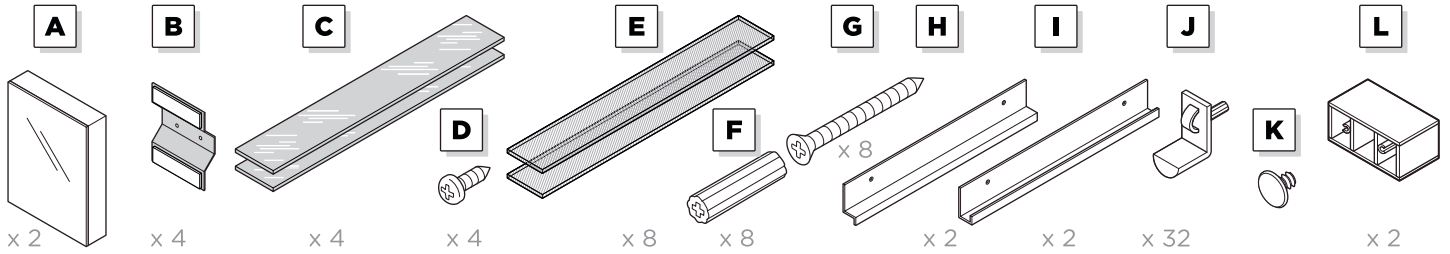
FMC8014/8020 MEDICINE CABINET INSTALLATION GUIDE



TOOLS REQUIRED FOR ASSEMBLY

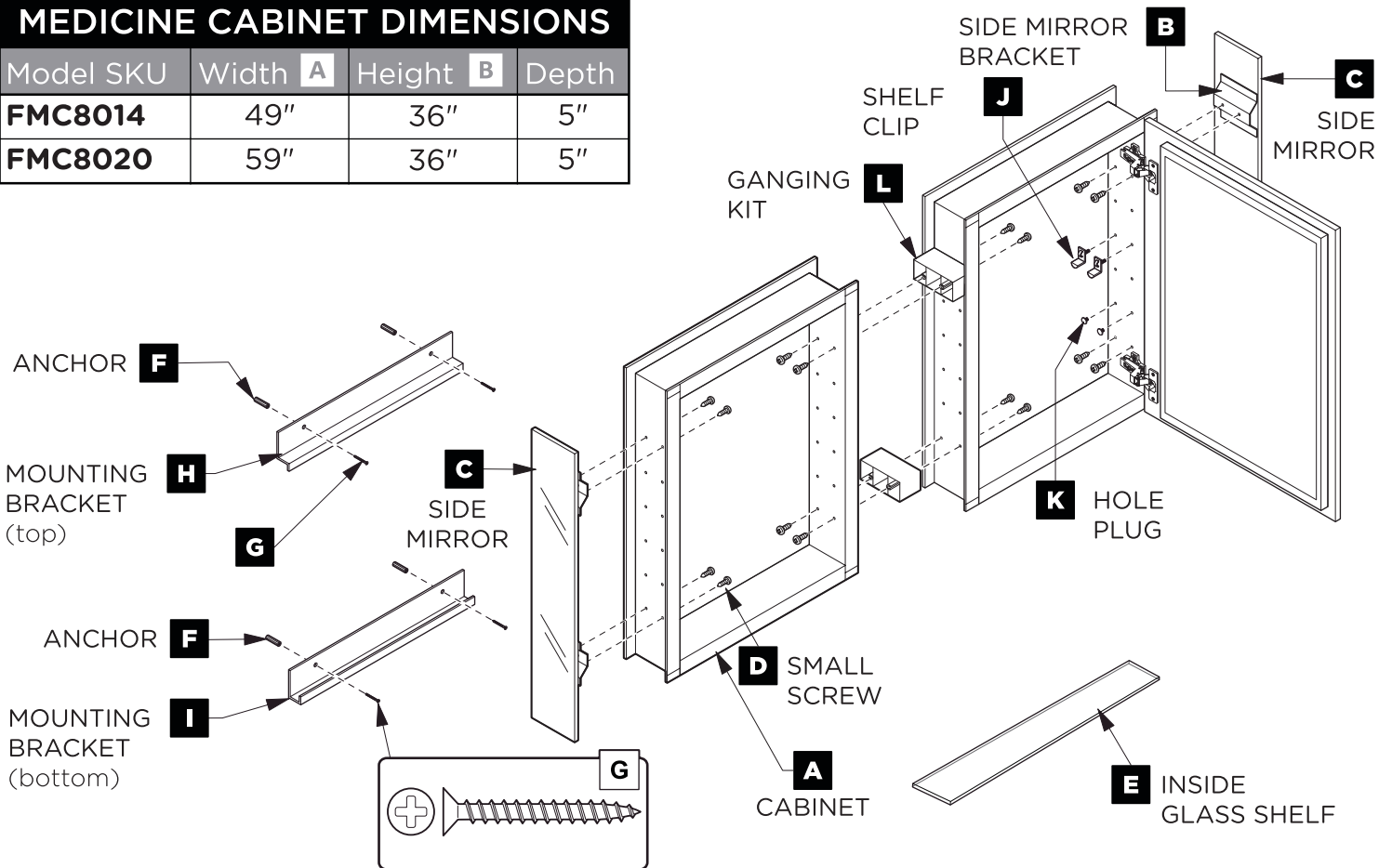


SUPPLIED PARTS



MEDICINE CABINET DIMENSIONS

Model SKU	Width A	Height B	Depth
FMC8014	49"	36"	5"
FMC8020	59"	36"	5"



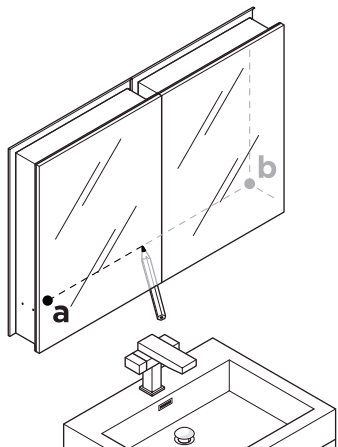
ALL DIMENSIONS & SPECIFICATIONS ARE APPROXIMATE AND SUBJECT TO CHANGE WITHOUT NOTICE.



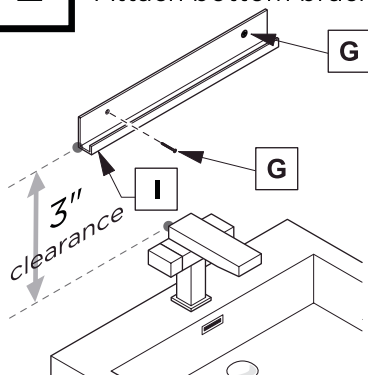
RISK OF PROPERTY DAMAGE. USE ANCHORS RATED FOR THE LOADED WEIGHT OF THE PRODUCT. REFER TO THE ANCHOR MANUFACTURER'S INSTRUCTIONS.

SURFACE-MOUNT INSTALLATION

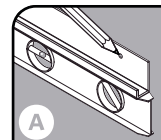
1 Level and mark the cabinet's location on the wall from point **a** to the point **b**.



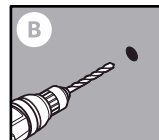
2 Attach bottom bracket (**I**) to the wall.



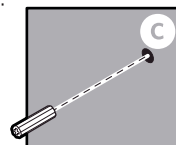
IMPORTANT:
Consult an expert for the proper screws/bolts to use when attaching to various constructions. Screws provided **do not** attach to all wall construction types. Anchors are not required if brackets are installed in stud.



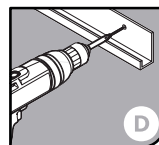
Level and mark.



Drill the holes in the wall.

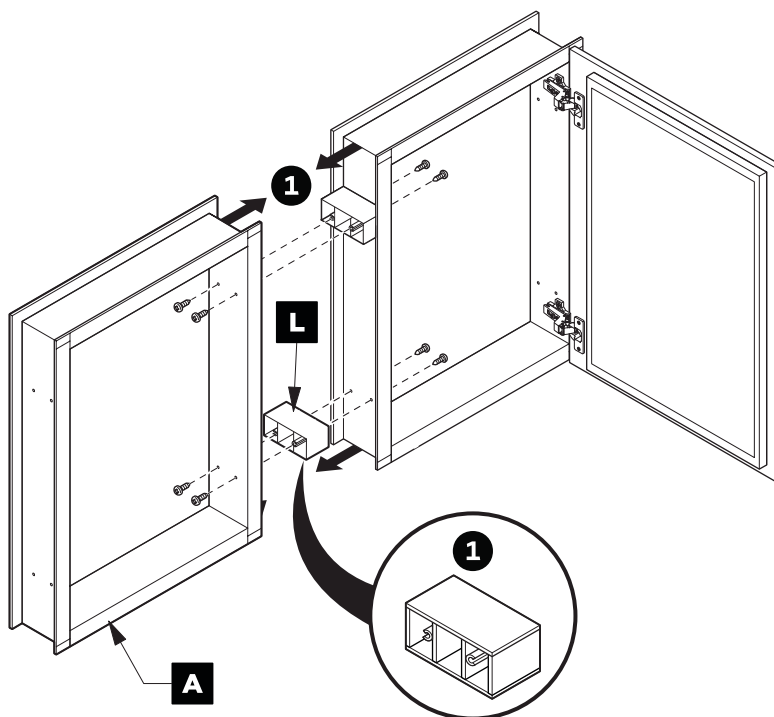


Insert the anchors in the holes.

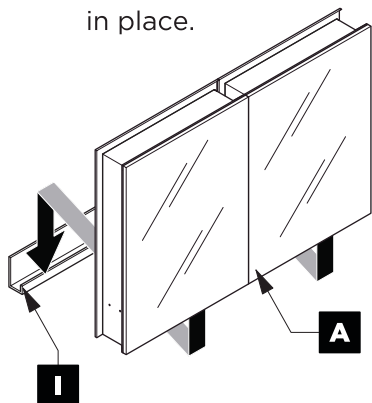


Attach bottom bracket to the wall.

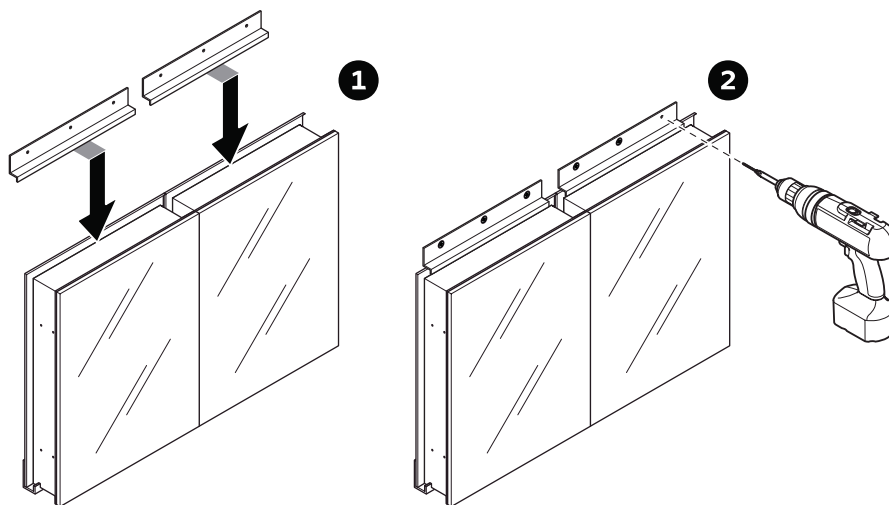
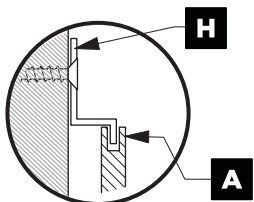
3 Connect cabinets (**A**) together with a ganging kit (**L**).



4 With assistance, rest the cabinet (**A**) on the bottom mounting bracket (**I**) and hold it in place.



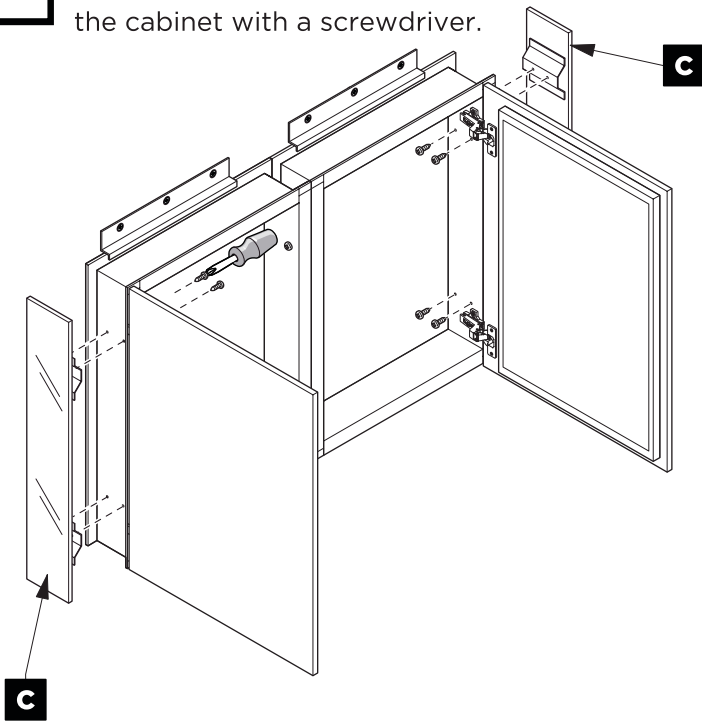
5 Secure the cabinet by fitting the top bracket (**H**) on the top of the cabinet and attaching it to the wall while the cabinet firmly stands on the bottom bracket.



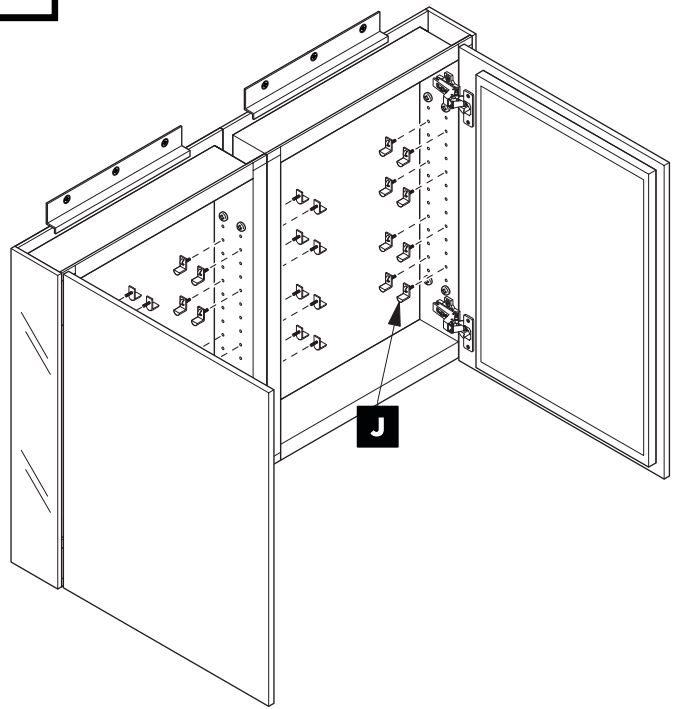
NOTE:
This step requires assistance.

SURFACE-MOUNT INSTALLATION

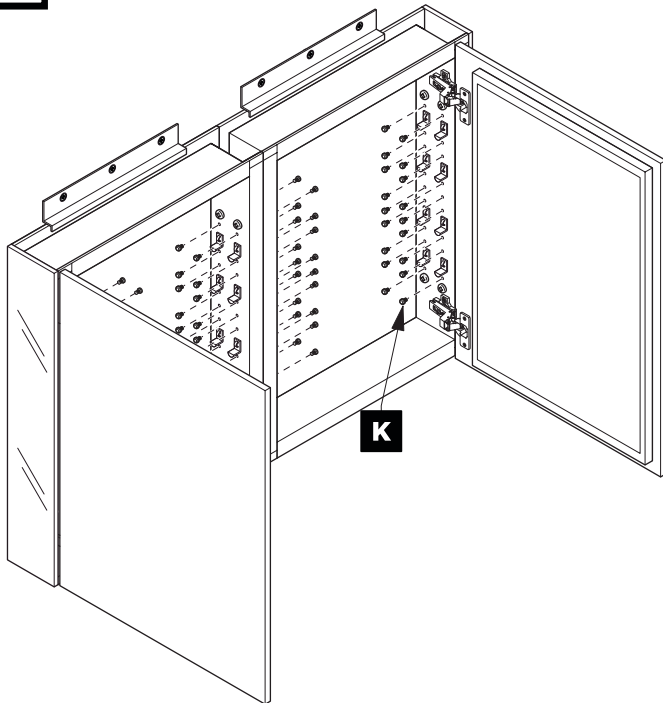
6 Attach the side mirrors (C) to the cabinet with a screwdriver.



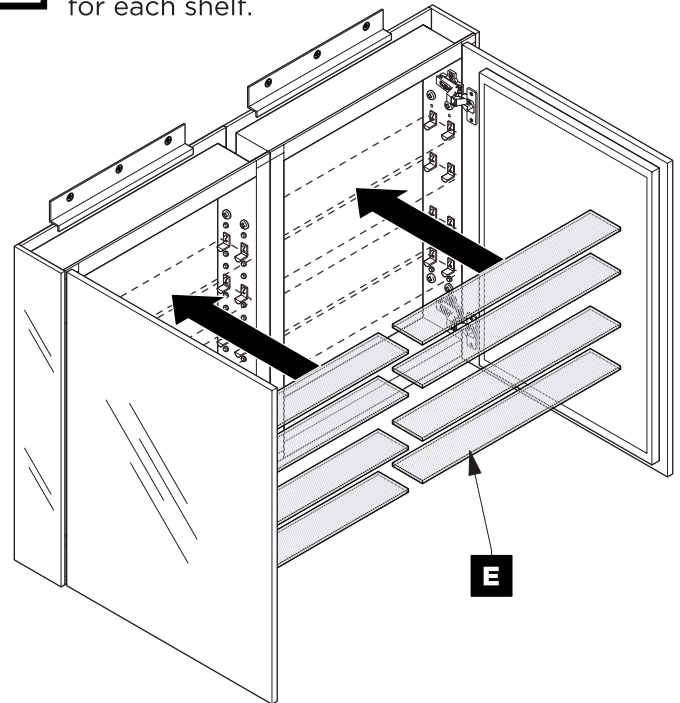
7 Push and twist shelf clips (J).



8 Fill the remaining holes with a plugs (K).

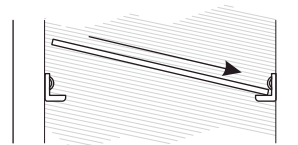
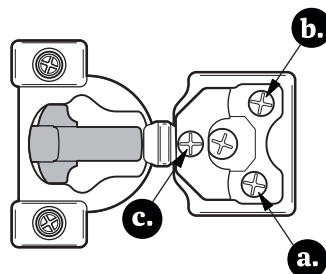


9 Insert the shelves (E). Follow the steps below for each shelf.

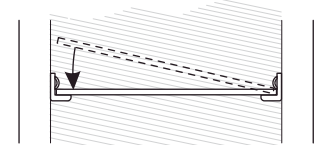


OPTIONAL DOOR ADJUSTMENT

- a.** This screw allow you to adjust pitch side to side.
- b.** This screw releases cabinet's door and allows up and down adjustment.
- c.** This screw allow you to adjust the gap between the doors.



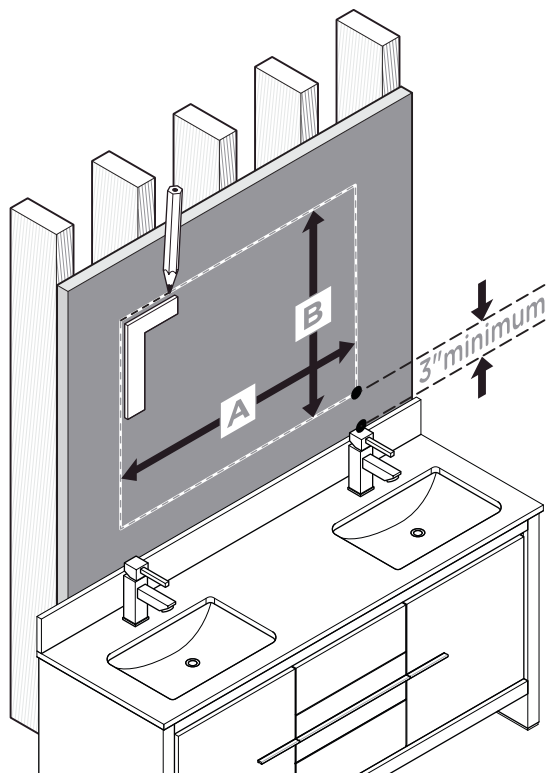
9.a Push a side of the shelf (E) into left or right pins (J).



9.b Snap the shelf (E) down into opposite side.

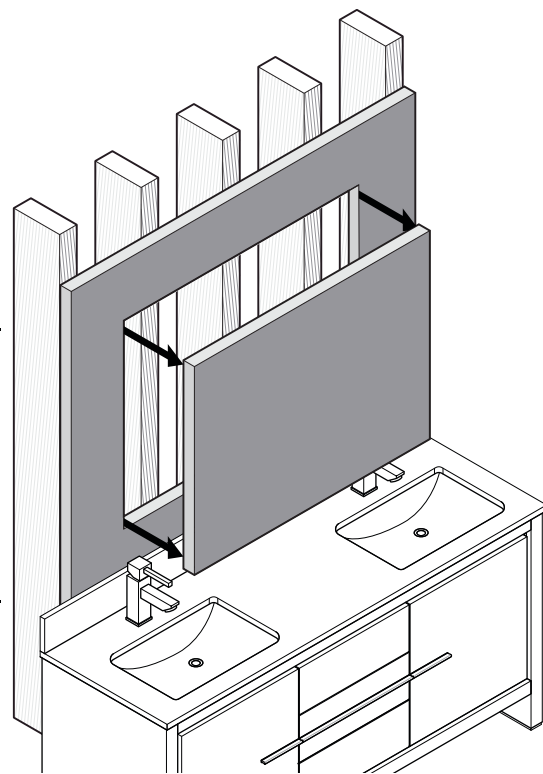
RECESS-MOUNT INSTALLATION

1



Draw the perimeter of the cabinet on the wall.

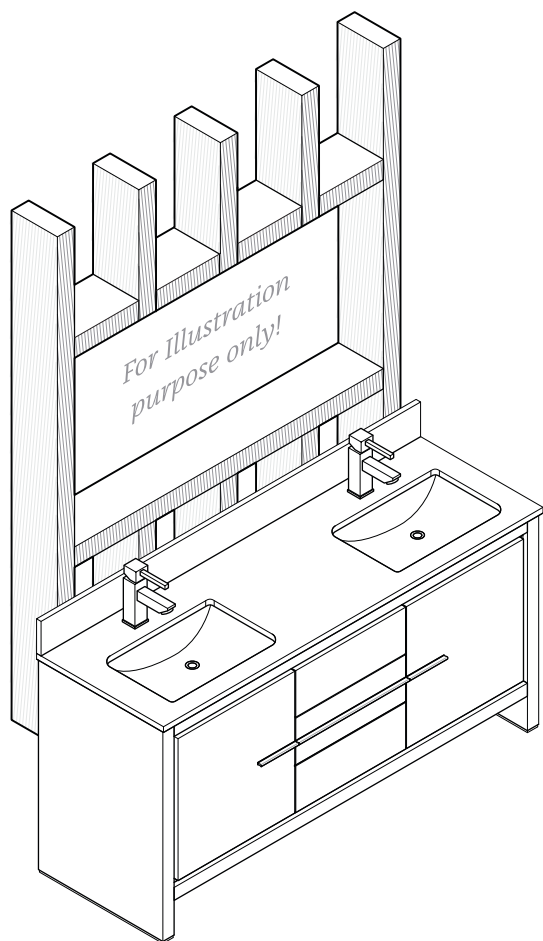
2



NOTE:
Determine overall medicine cabinet dimensions. If recessing medicine cabinet, determine rough in dimensions.

Cut the perimeter with appropriate tool.

3

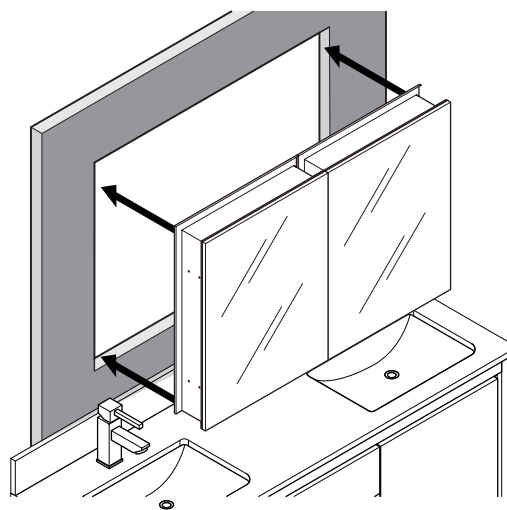


Frame the cutout opening.

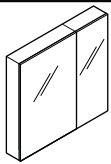
NOTE: Please consult with a licensed contractor for proper medicine cabinet framing.

ROUGH IN DIMENSIONS			
Model SKU	Width A	Height B	Depth
FMC8014	48 1/2"	35 1/8"	3 3/4"
FMC8020	58 1/4"	35 1/8"	3 3/4"

4



Insert the cabinet into the opening.

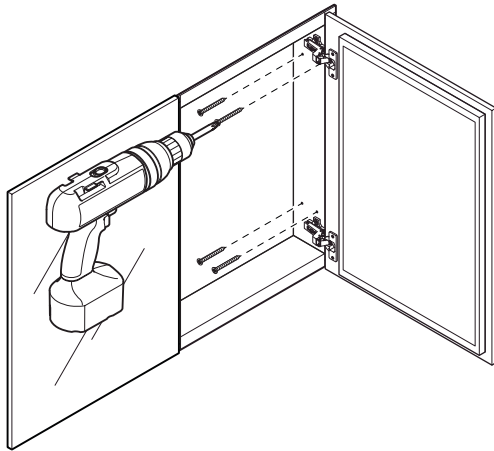


FMC8014/8020 MEDICINE CABINET INSTALLATION GUIDE



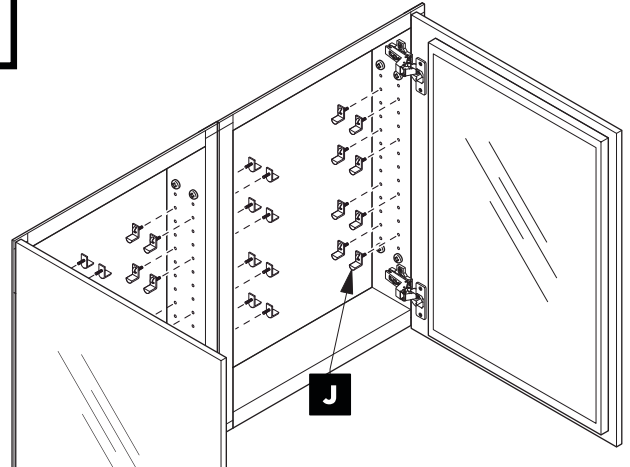
RECESS-MOUNT INSTALLATION

5



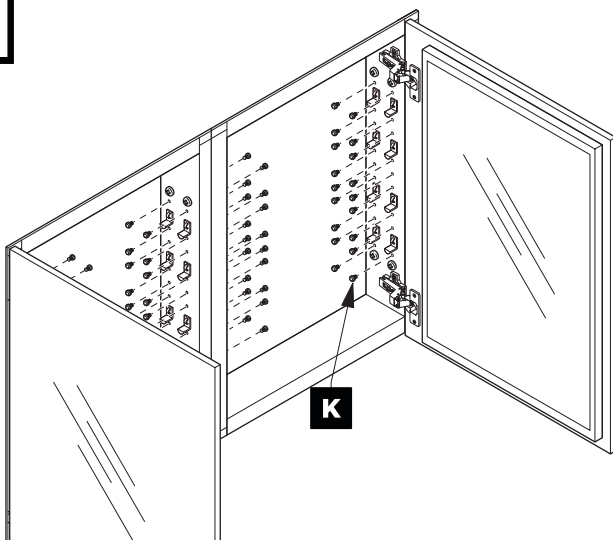
Attach cabinet to the wall from the each side.

6



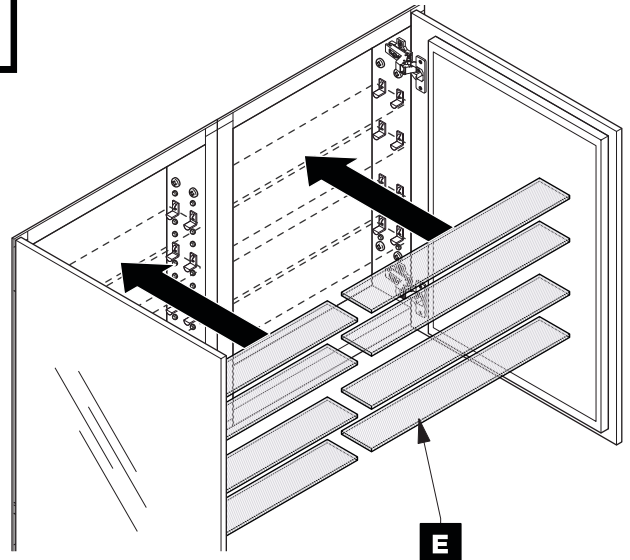
Push and twist shelf clips (J).

7



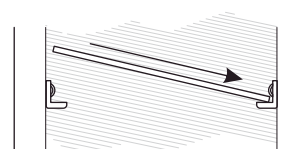
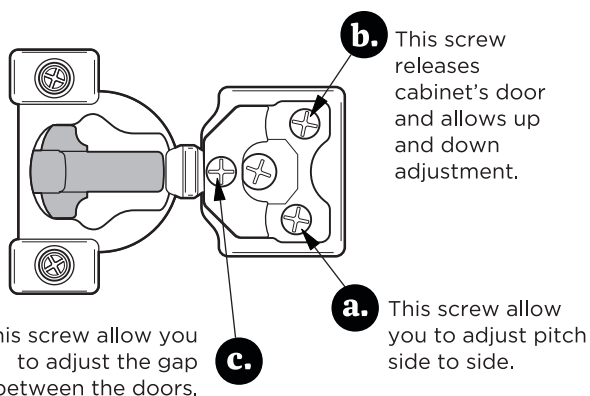
Fill the remaining holes with a plugs (K).

8



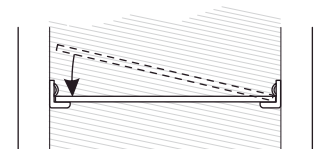
Insert the shelves (E). Follow the steps below for each shelf.

OPTIONAL DOOR ADJUSTMENT



8.a

Push a side of the shelf (E) into left or shelf clips (J).



8.b

Snap the shelf (E) down into opposite side.