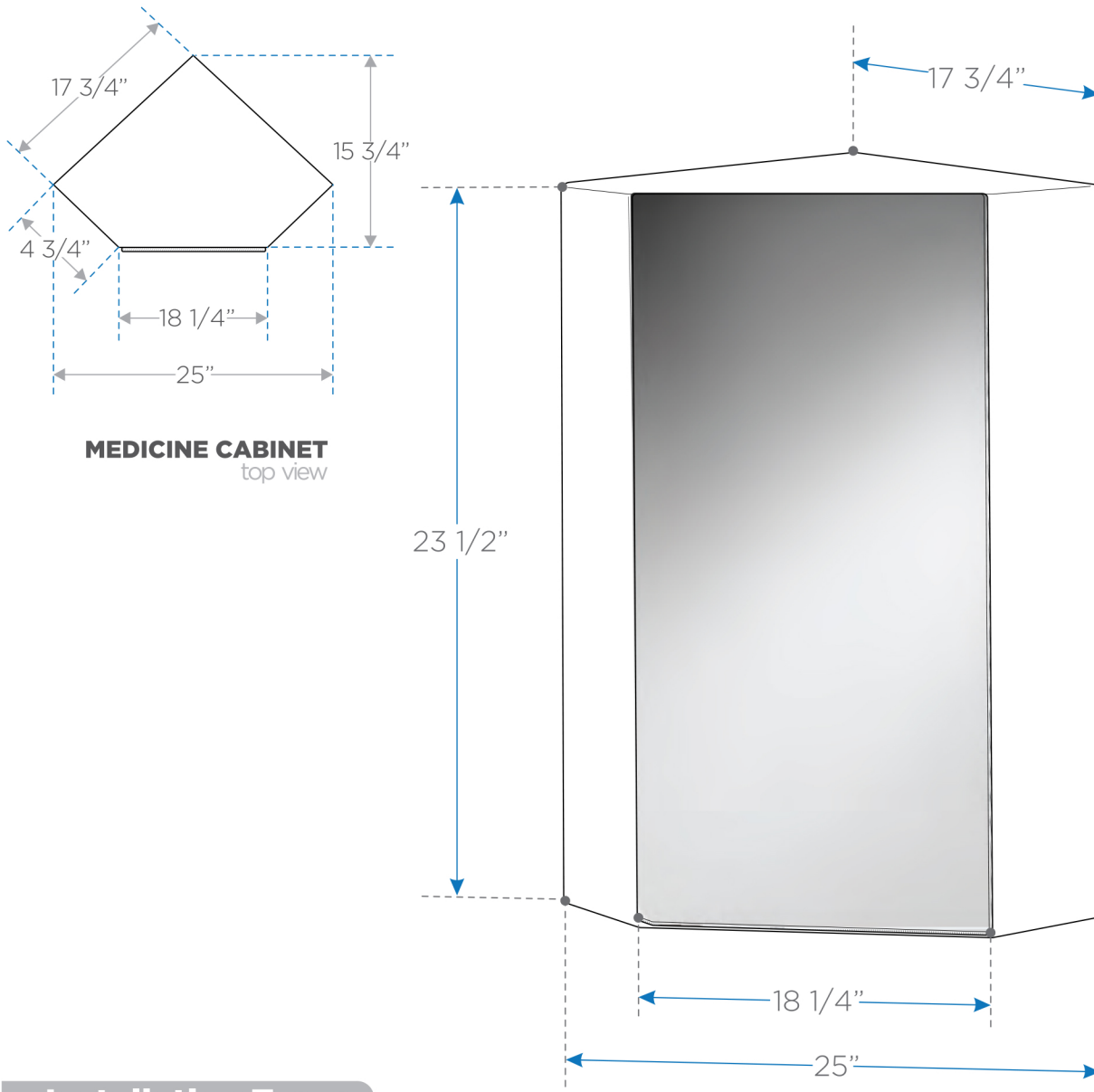


# FMC5084WH

Coda 18" White Corner Medicine Cabinet  
w/ Mirror Door



## Installation Type:

- Surface Corner Mounted

**BOX DIMENSIONS: L34" W21" H21" G.W.46 3/8LB**

