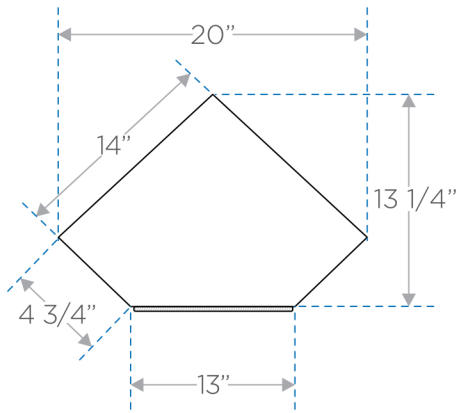
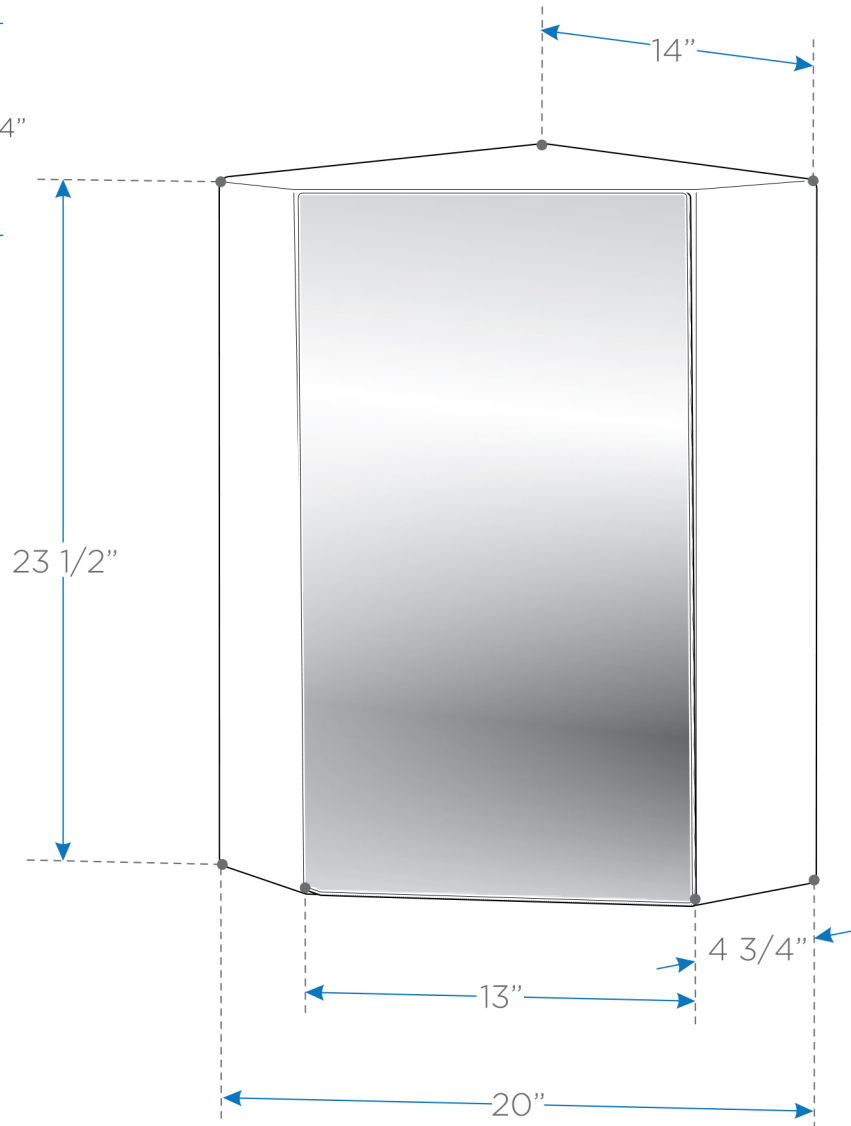


FMC5082WH

Coda 14" White Corner Medicine Cabinet
w/ Mirror Door



MED.CABINET
top view



Installation Type:

- Surface Corner Mounted

BOX DIMENSIONS: L34" W26" H16" G.W.37LB

