



Stella  
COLLECTION

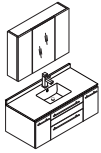
# LUCERA

## FVN6142-UNS

### INSTALLATION GUIDE

### CONTENTS:

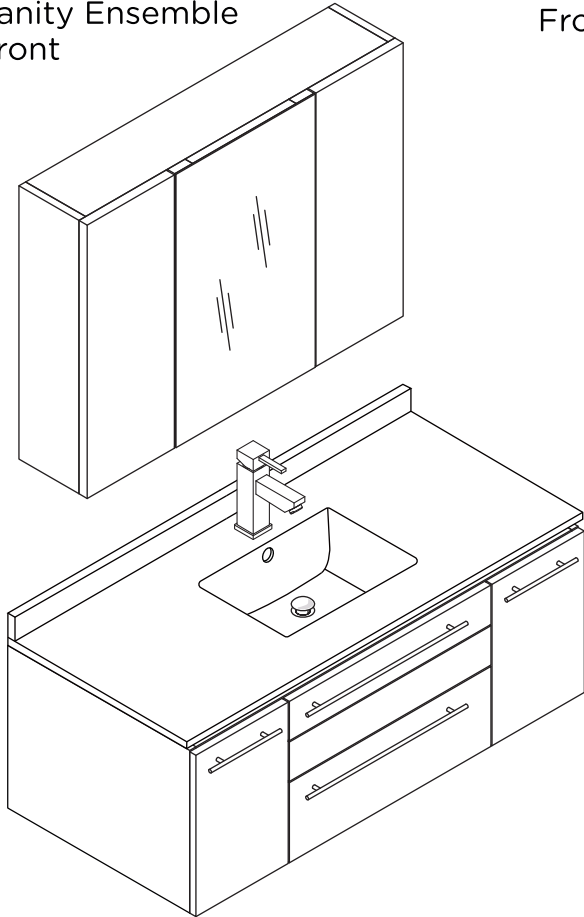
Medicine Cabinet.....	FMC6183.....	PAGE 2
Cabinet.....	FCB6142-UNS.....	PAGE 3
Counter Top / Sink.....	FCT2042WH-S-CMB.....	PAGE 4



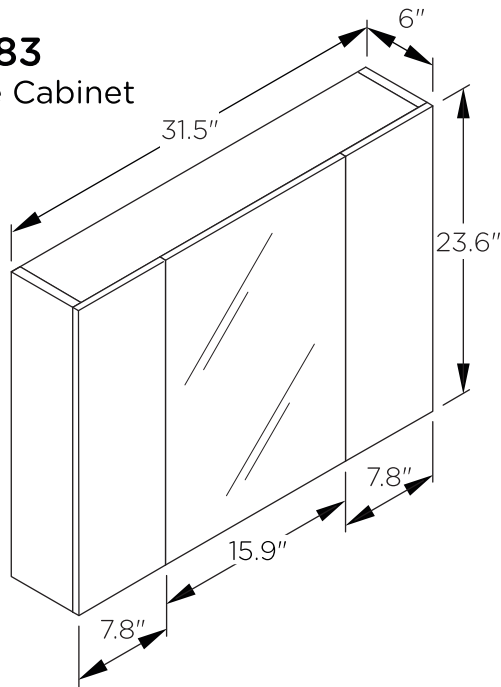
# FVN6142-UNS LUCERA INSTALLATION GUIDE



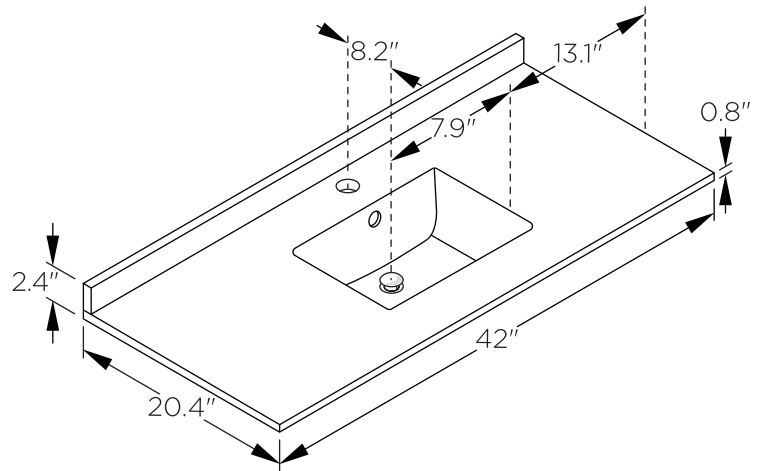
**FVN6142-UNS**  
Vanity Ensemble  
Front



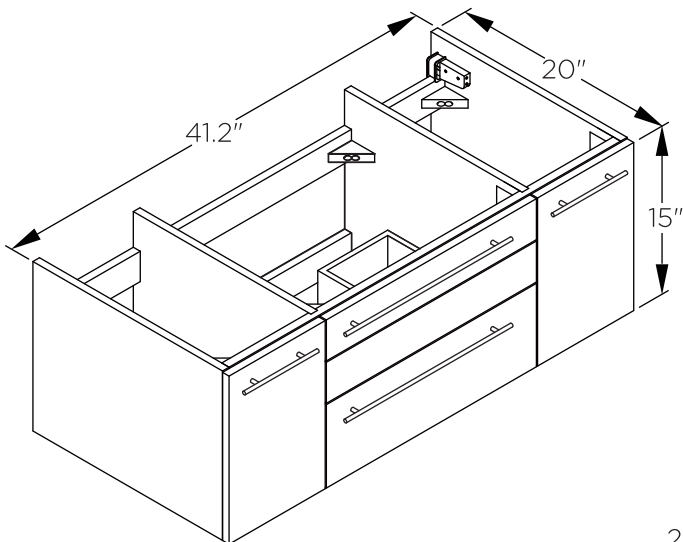
**FMC6183**  
Medicine Cabinet  
Front



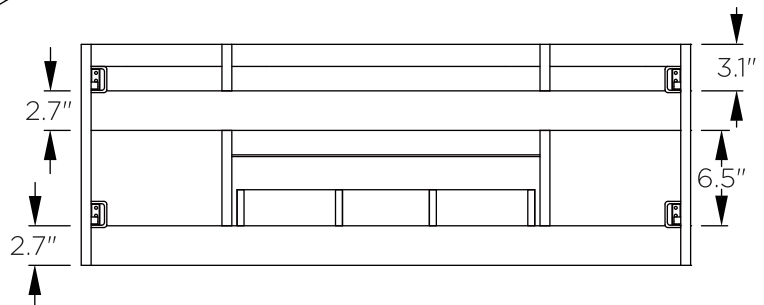
**FCB6142-UNS**  
Cabinet Front



**FCT2042WH-S-CMB**  
Counter Top Front

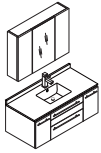


**FCB6142-UNS**  
Cabinet Back



>All dimensions & specifications are approximate and subject to change without notice.

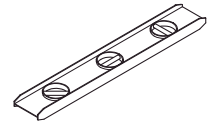
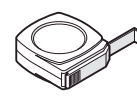
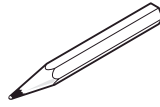
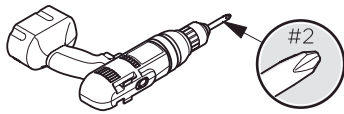




# FVN6142-UNS LUCERA INSTALLATION GUIDE

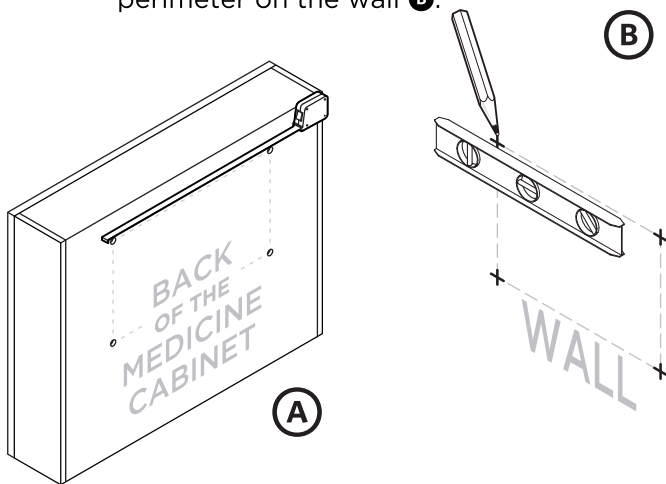


## TOOLS FOR ASSEMBLY

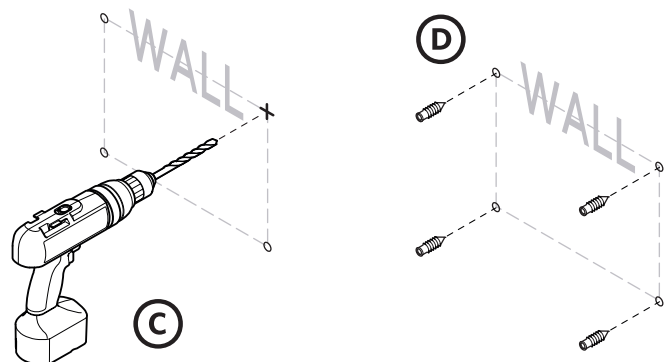


## MEDICINE CABINET INSTALLATION

- 1** Measure distance between the mounting holes on the back of medicine cabinet **A** and mark the perimeter on the wall **B**.

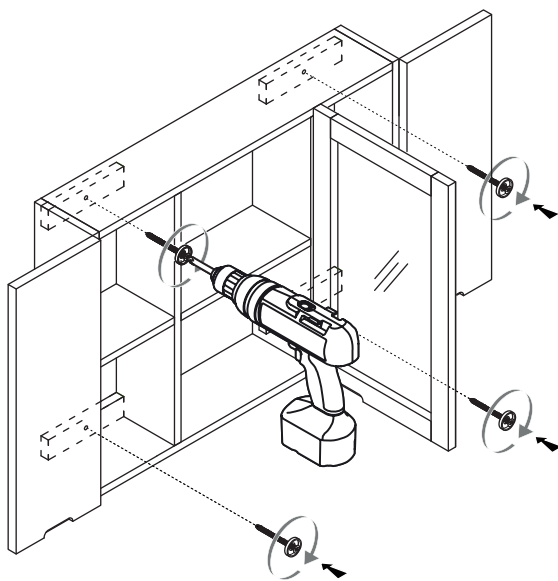


- 2** Once marked, drill the holes in the wall **C**. \*Insert the anchors in the holes **D**.

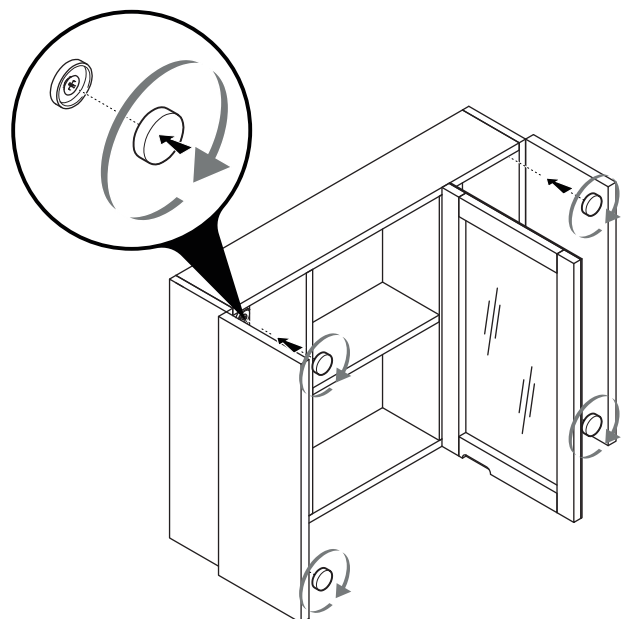


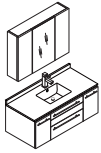
**\*IMPORTANT:** Consult an expert for the proper screws/bolts to use when attaching to various constructions. Screws provided do not attach to all wall construction types. Anchors are not required if brackets are installed in stud.

- 3** Connect medicine cabinet to the wall using a drill.



- 4** Cover the screws with the screw caps.



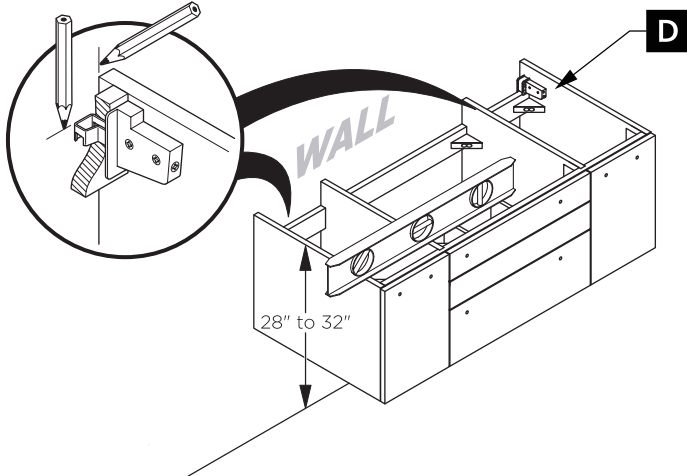


# FVN6142-UNS LUCERA INSTALLATION GUIDE

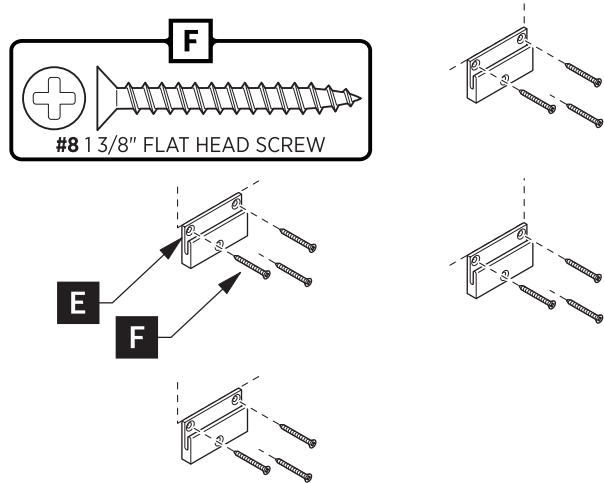


## CABINET INSTALLATION

- 1** Place cabinet (D) in designated location and mark the bracket position on the wall.

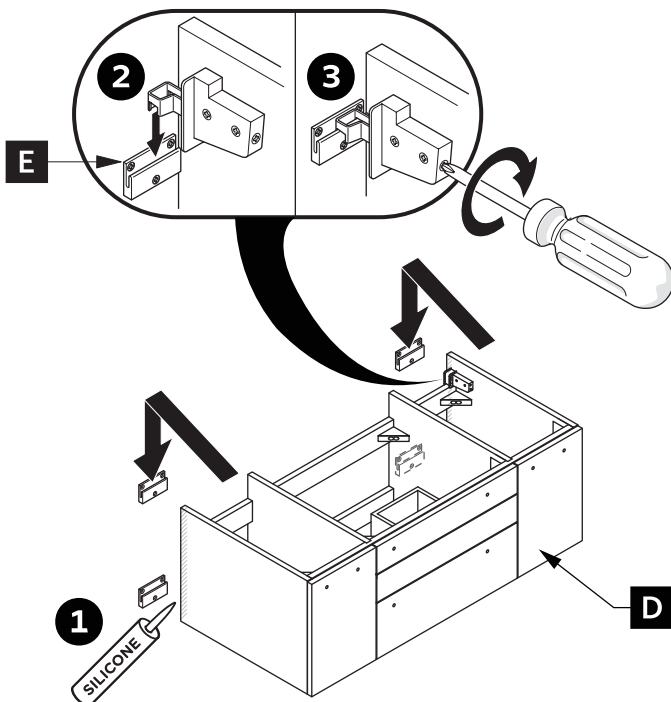


- 2** Attach wall brackets (E) to the wall with the screws (F).

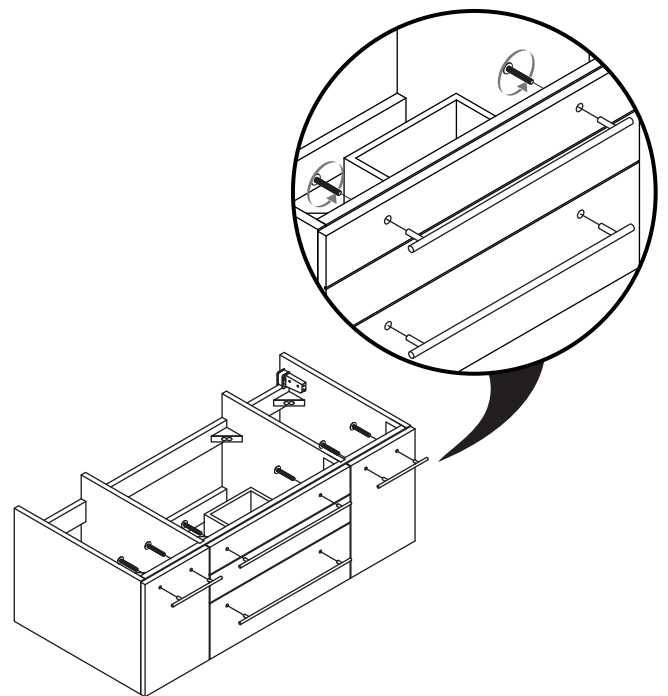


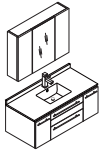
**IMPORTANT:** Consult an expert for the proper screws/bolts to use when attaching to various constructions. Screws provided **do not** attach to all wall construction types. Anchors are not required if brackets are installed in stud.

- 3** Apply a bid of silicone and hang the cabinet (D) on the brackets (E).



- 4** Attach the handles to cabinet.



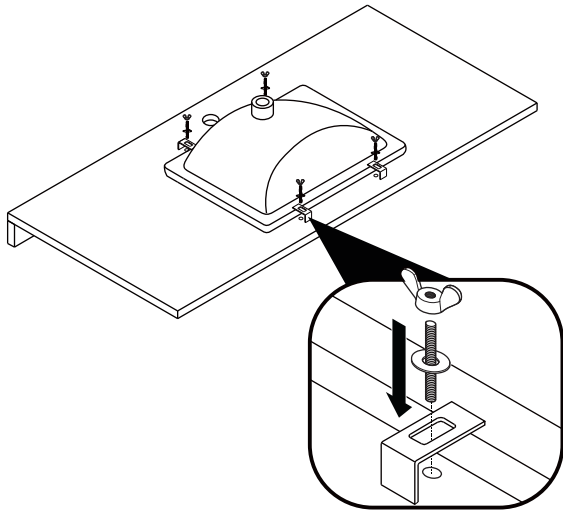


# FVN6142-UNS LUCERA INSTALLATION GUIDE

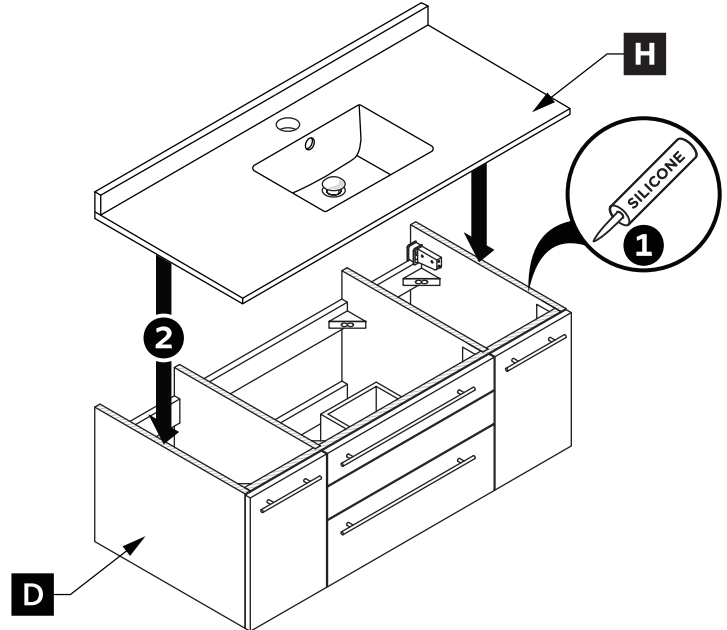


## CABINET INSTALLATION

- 5** Flip the counter top upside down and attach the sink to it using provided brackets & screws.

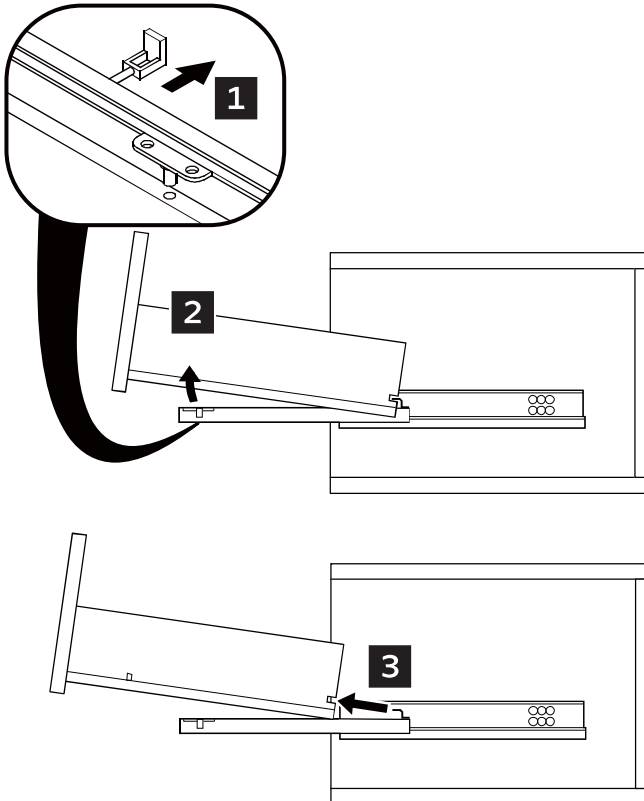


- 6** Put a bead of silicone on the top of the cabinet (D) then place a sink (H) on the top of it.

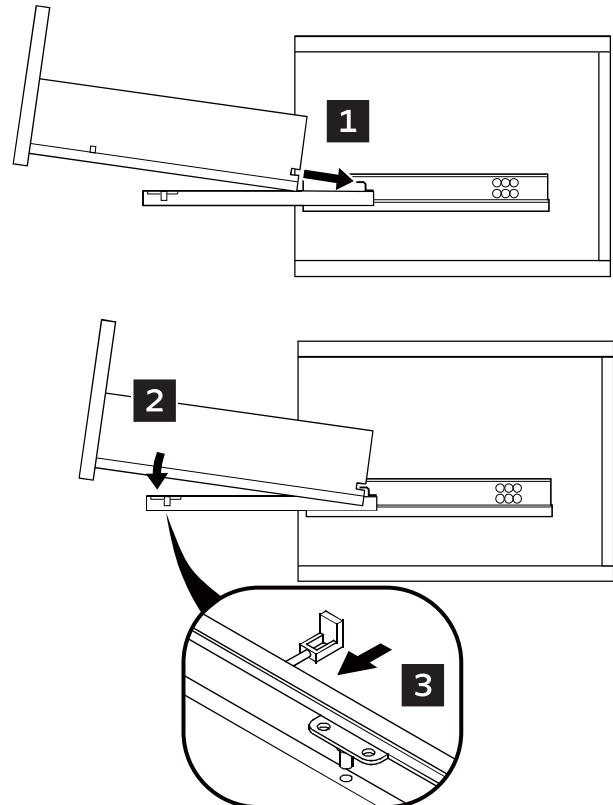


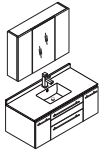
## DRAWER REMOVAL & INSTALLATION

### DRAWER REMOVAL



### DRAWER INSTALLATION





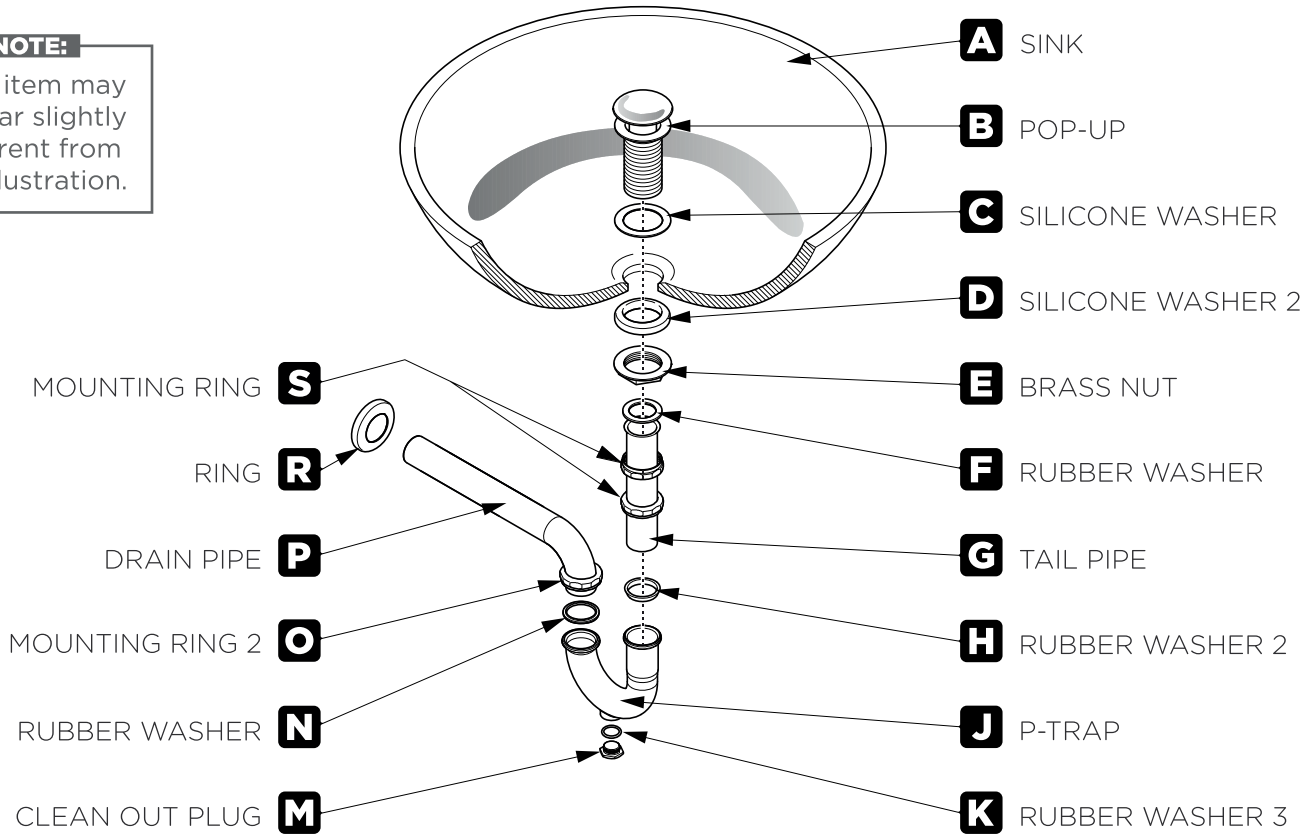
# FVN6142-UNS LUCERA INSTALLATION GUIDE



## P-TRAP AND POP-UP INSTALLATION INSTRUCTIONS

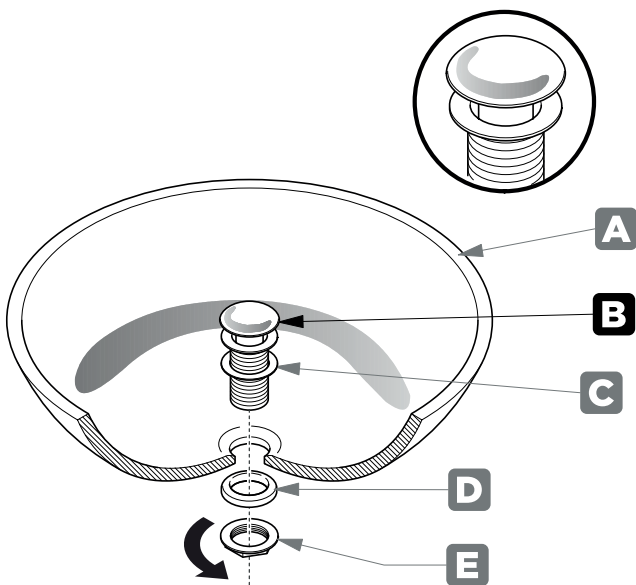
**NOTE:**

Your item may appear slightly different from the illustration.



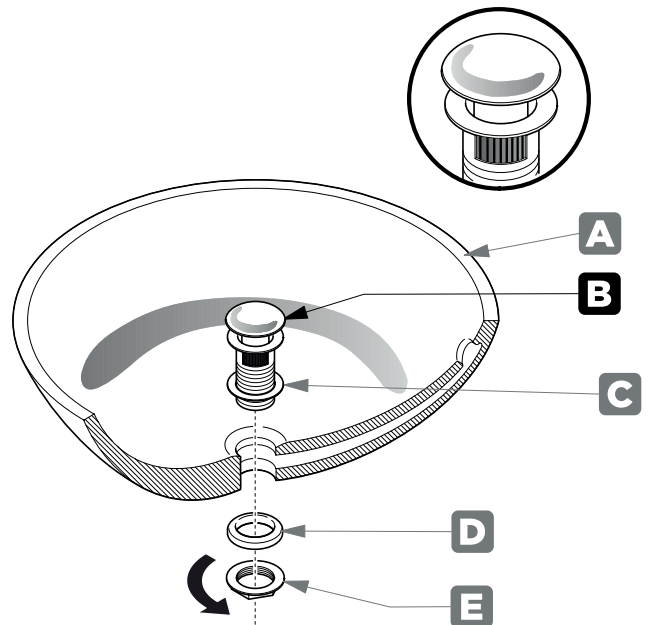
## POP-UP INSTALLATION INSTRUCTIONS

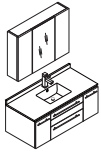
**FOR SINKS  
WITHOUT OVERFLOW**



OR

**FOR SINKS  
WITH OVERFLOW**



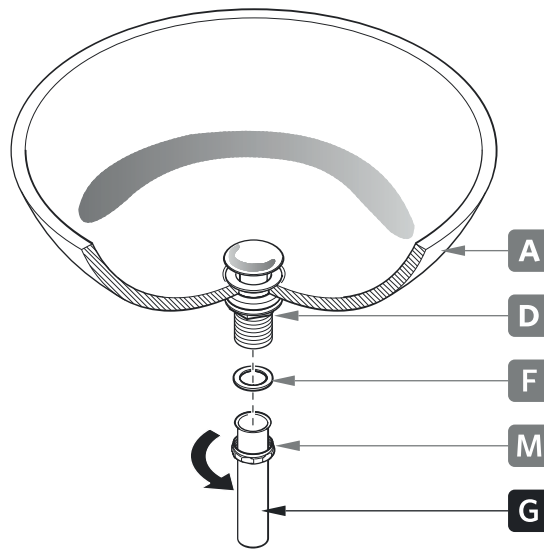


# FVN6142-UNS LUCERA INSTALLATION GUIDE



## P-TRAP INSTALLATION

**1** Install tail pipe (G).



**2** Connect P-trap (J).

