



Stella
COLLECTION

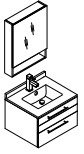
LUCERA

FVN6124-UNS

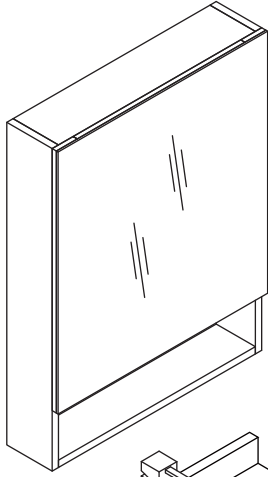
INSTALLATION GUIDE

CONTENTS:

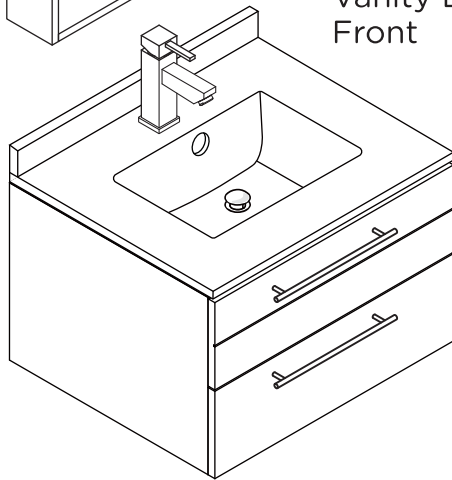
Medicine Cabinet.....	FMC6124.....	PAGE 2
Cabinet.....	FCB6124-UNS.....	PAGE 3
Sink.....	FCT2024WH-CMB.....	PAGE 4



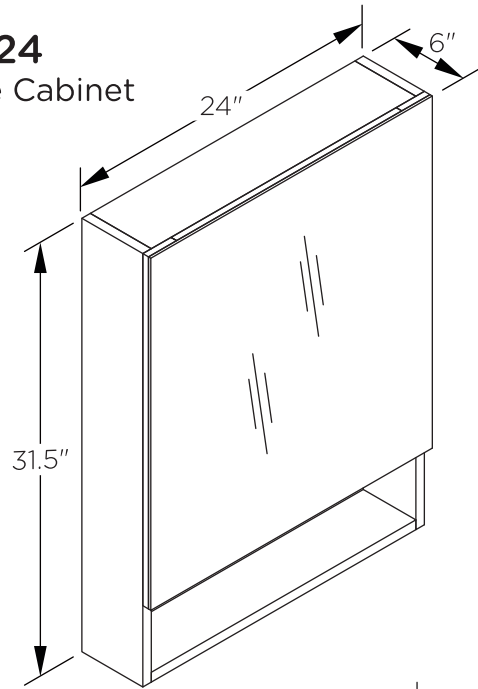
FVN6124-UNS LUCERA INSTALLATION GUIDE



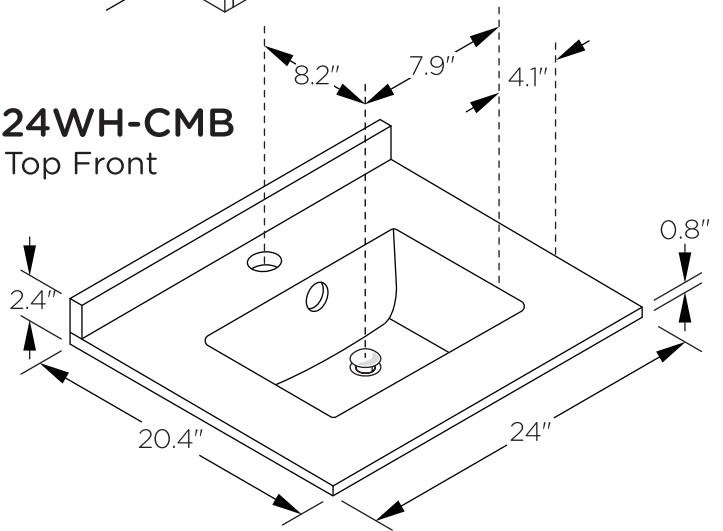
FVN6124-UNS
Vanity Ensemble
Front



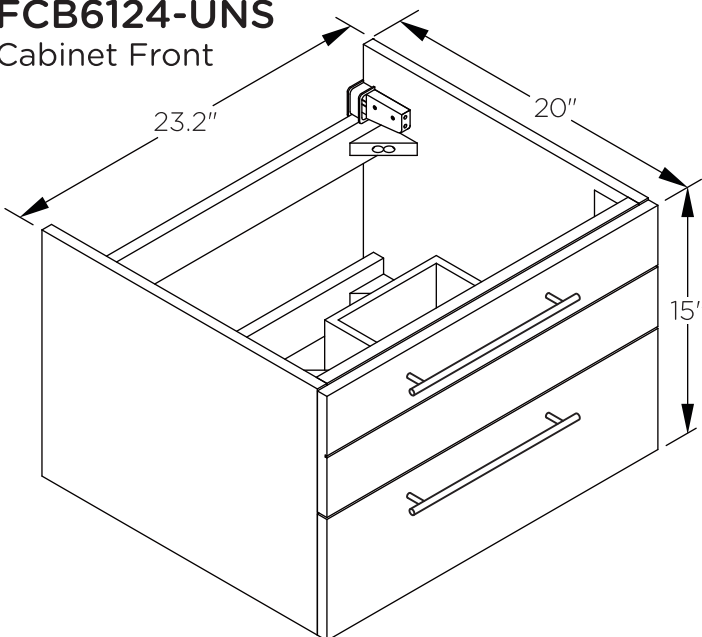
FMC6124
Medicine Cabinet
Front



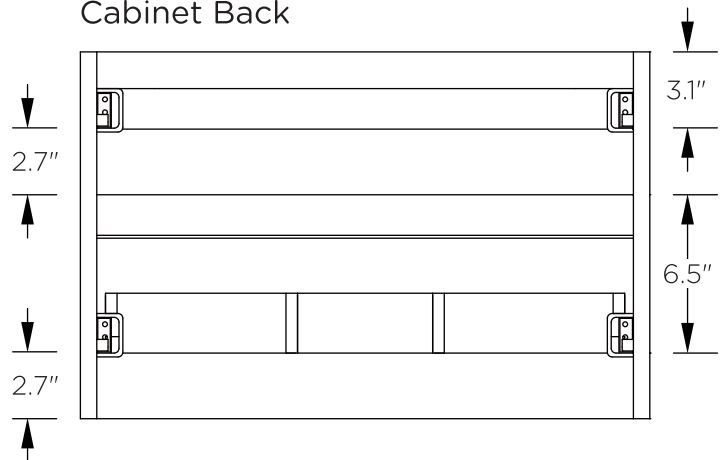
FCT2024WH-CMB
Counter Top Front



FCB6124-UNS
Cabinet Front

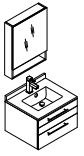


FCB6124-UNS
Cabinet Back



>All dimensions & specifications are approximate and subject to change without notice.

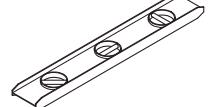
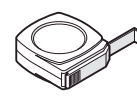
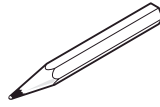
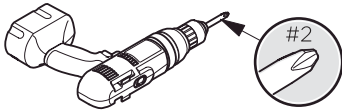




FVN6124-UNS LUCERA INSTALLATION GUIDE

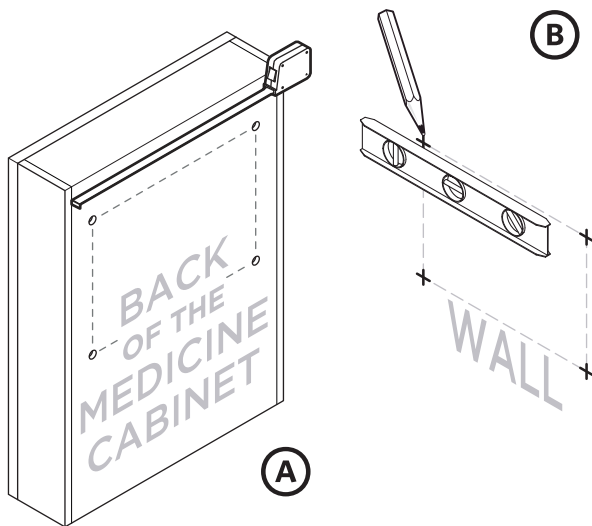


TOOLS FOR ASSEMBLY

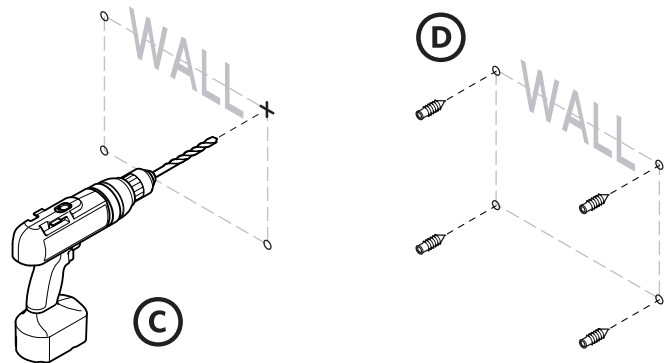


MEDICINE CABINET INSTALLATION

- 1** Measure distance between the mounting holes on the back of a medicine cabinet **A** and mark the perimeter on the wall **B**.

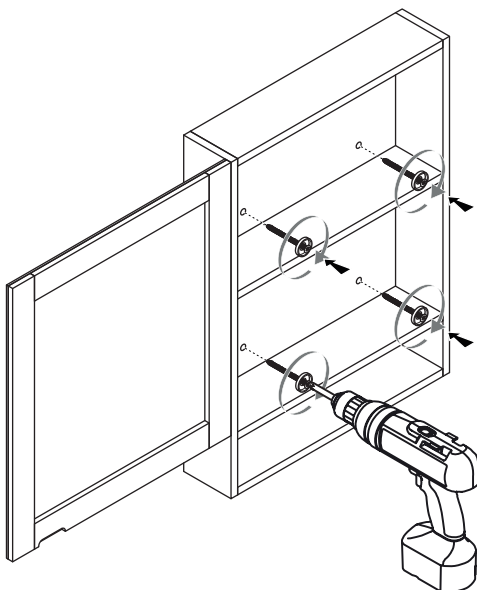


- 2** Once marked, drill the holes in the wall **C**.
*Insert the anchors in the holes **D**.

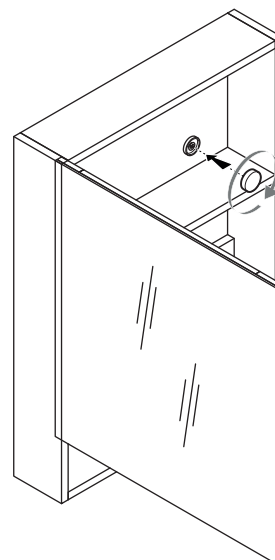


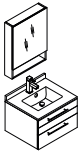
***IMPORTANT:** Consult an expert for the proper screws/bolts to use when attaching to various constructions. Screws provided do not attach to all wall construction types. Anchors are not required if brackets are installed in stud.

- 3** Connect medicine cabinet to the wall using a drill.



- 4** Cover the screws with the screw caps.



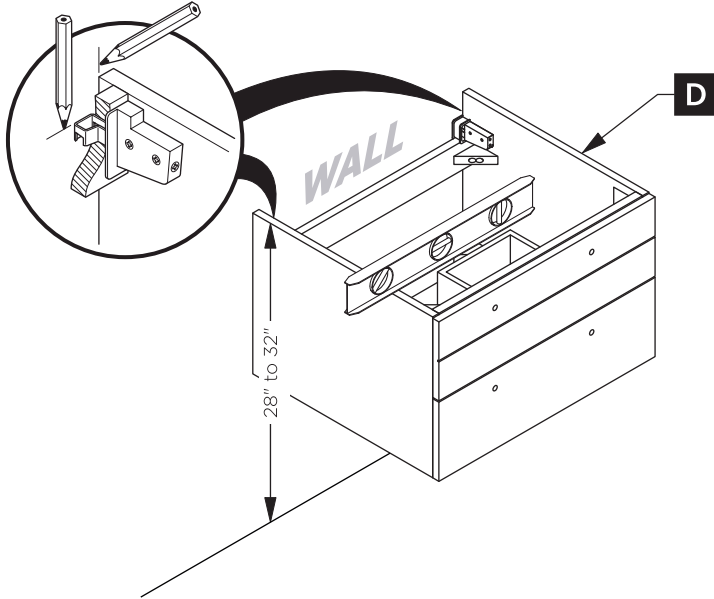


FVN6124-UNS LUCERA INSTALLATION GUIDE

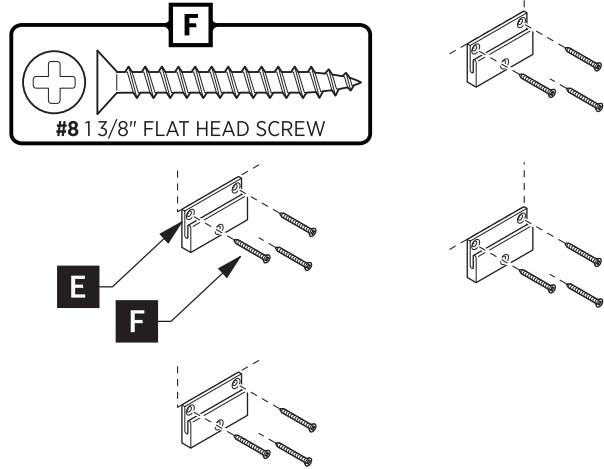


CABINET INSTALLATION

- 1** Place cabinet (D) in designated location and mark the bracket position on the wall.

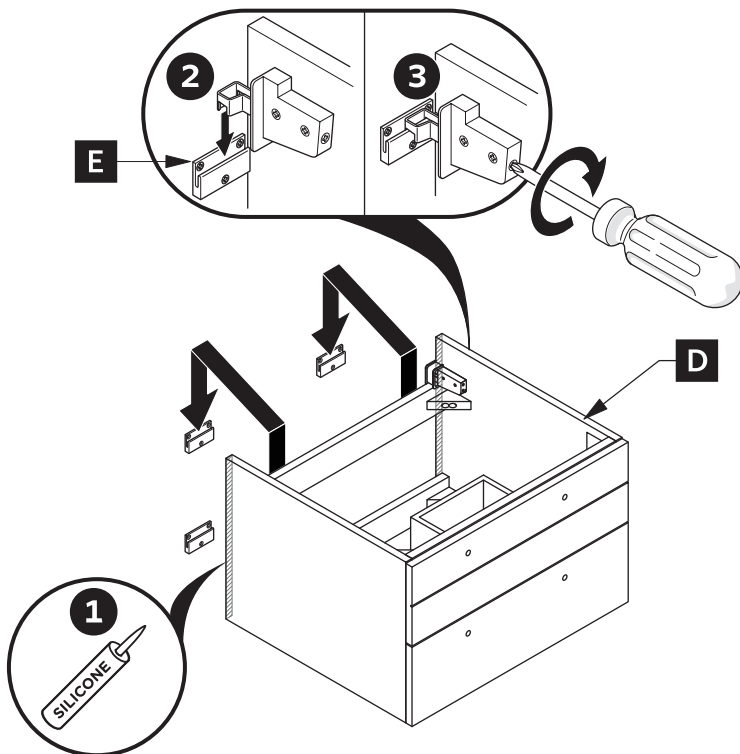


- 2** Attach the wall brackets (E) to the wall with the screws (F).

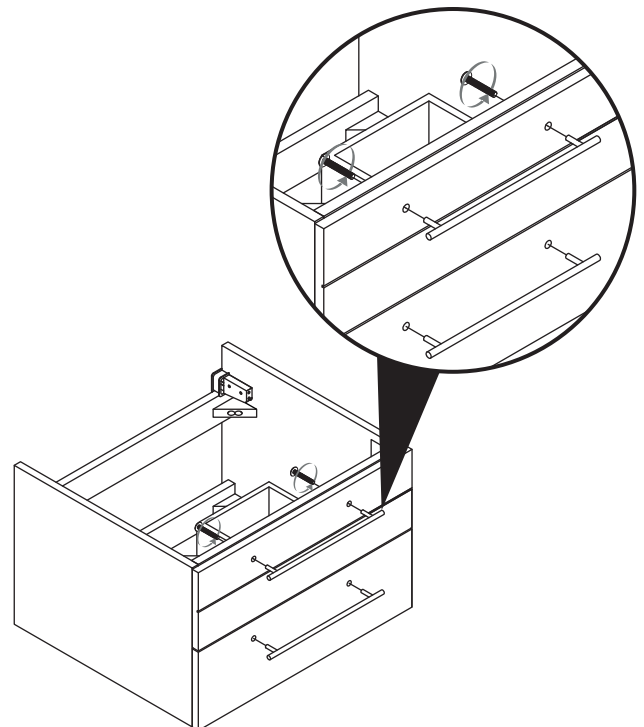


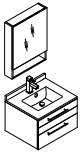
IMPORTANT: Consult an expert for the proper screws/bolts to use when attaching to various constructions. Screws provided do not attach to all wall construction types. Anchors are not required if brackets are installed in stud.

- 3** Apply a bid of silicone on back of the cabinet and hang cabinet (D) on the brackets.



- 4** Attach the handles to the cabinet.



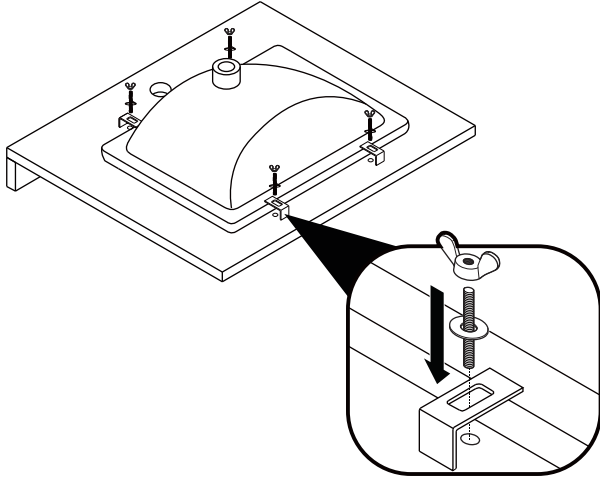


FVN6124-UNS LUCERA INSTALLATION GUIDE

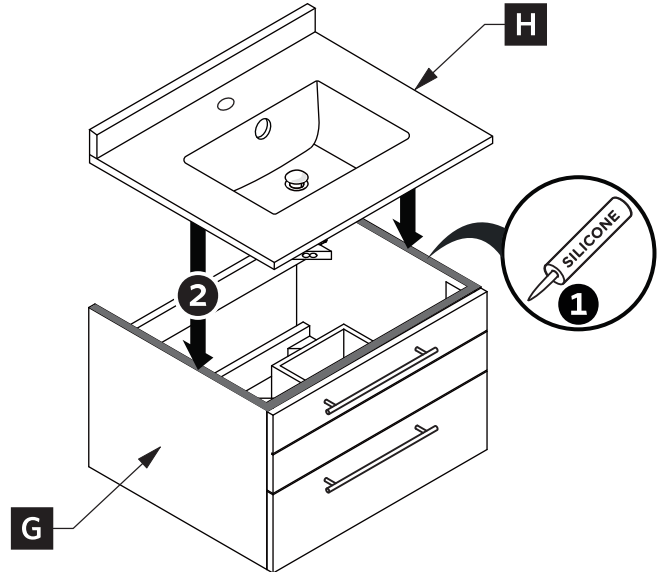


CABINET INSTALLATION

- 5** Flip the counter top upside down and attach sink to it using provided brackets & screws.

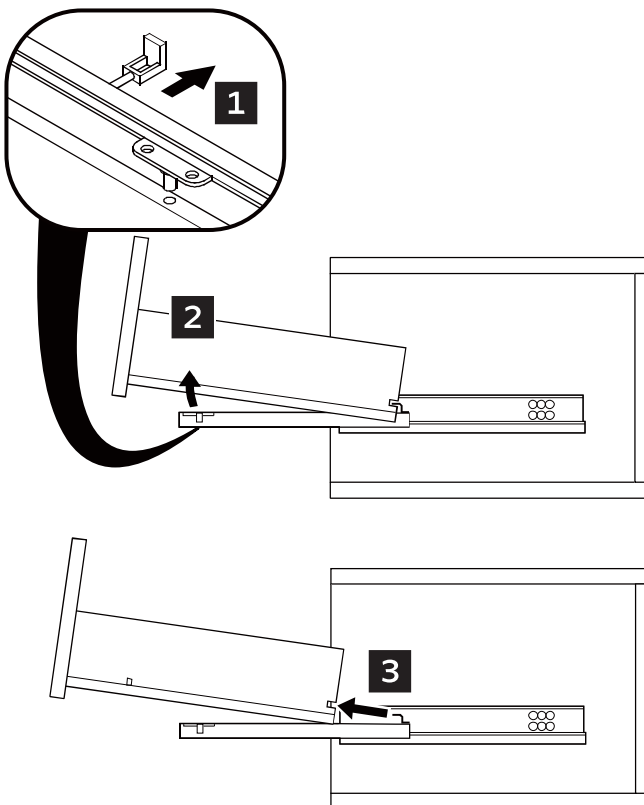


- 6** Put a bead of silicone on the top of the cabinet (G) then place a sink (H) on the top of it.

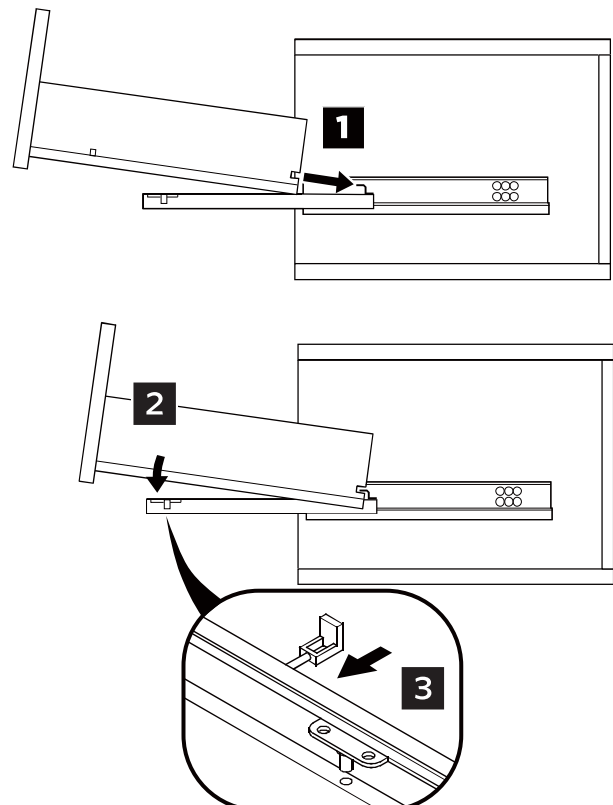


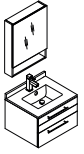
DRAWER REMOVAL & INSTALLATION

DRAWER REMOVAL



DRAWER INSTALLATION





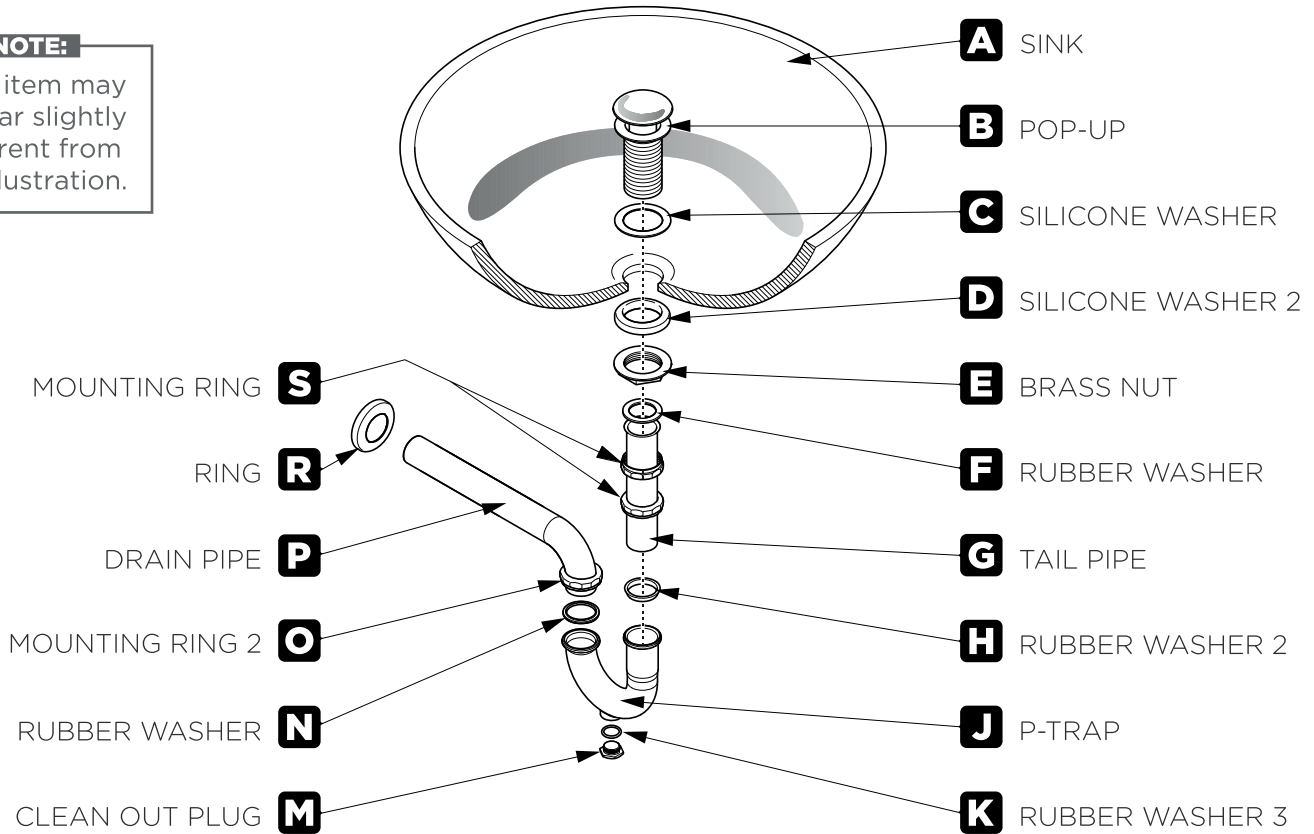
FVN6124-UNS LUCERA INSTALLATION GUIDE



P-TRAP AND POP-UP INSTALLATION INSTRUCTIONS

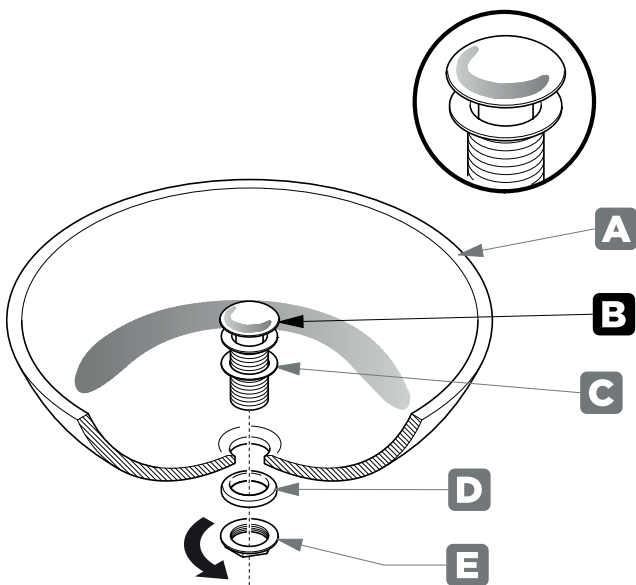
NOTE:

Your item may appear slightly different from the illustration.



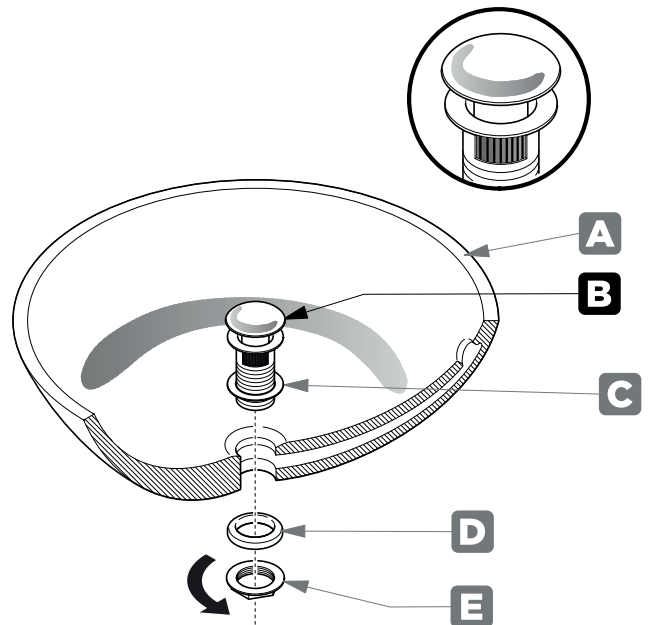
POP-UP INSTALLATION INSTRUCTIONS

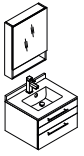
**FOR SINKS
WITHOUT OVERFLOW**



OR

**FOR SINKS
WITH OVERFLOW**



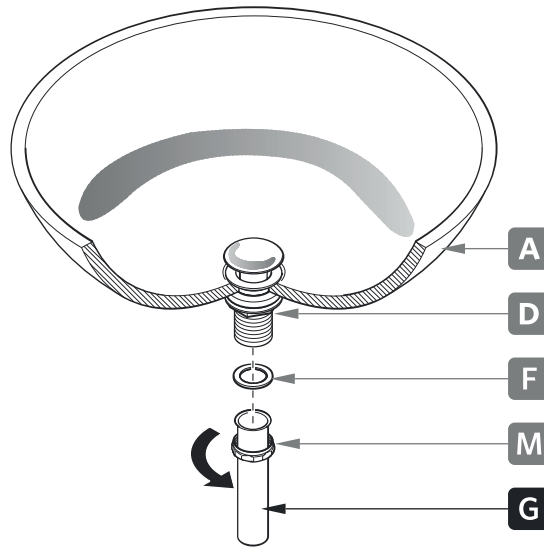


FVN6124-UNS LUCERA INSTALLATION GUIDE



P-TRAP INSTALLATION

- 1** Install a tail pipe (G).



- 2** Connect a P-trap (J).

