



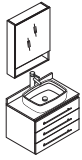
STELLA

INSTALLATION GUIDE

FVN6183

CONTENTS:

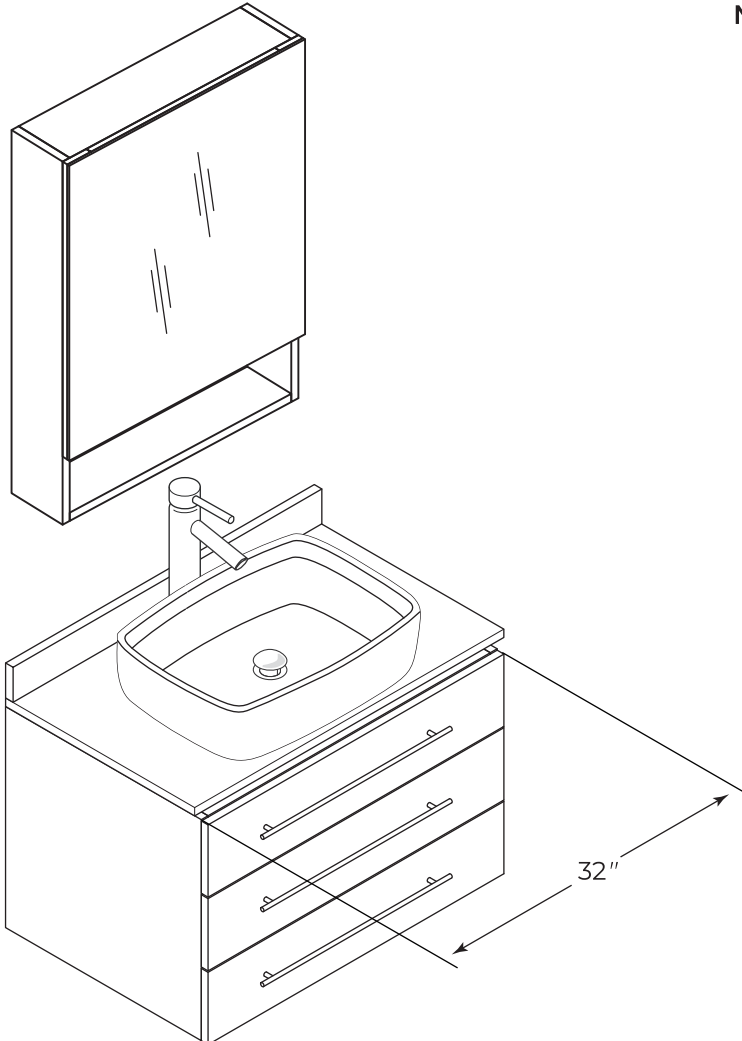
Mirror	FMR6124	PAGE 2
Cabinet	FCB6183	PAGE 3
Sink	FCT6183	PAGE 3



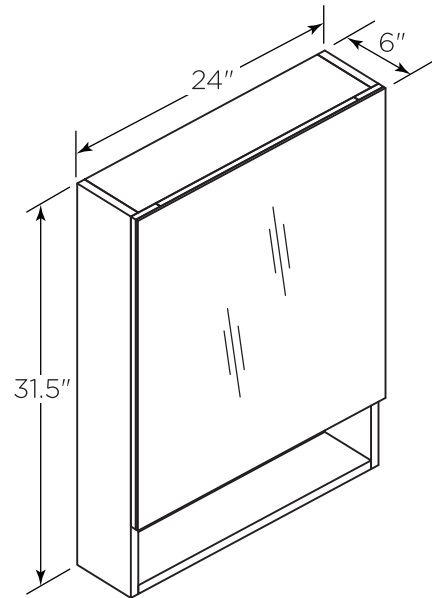
FVN6183 STELLA INSTALLATION GUIDE



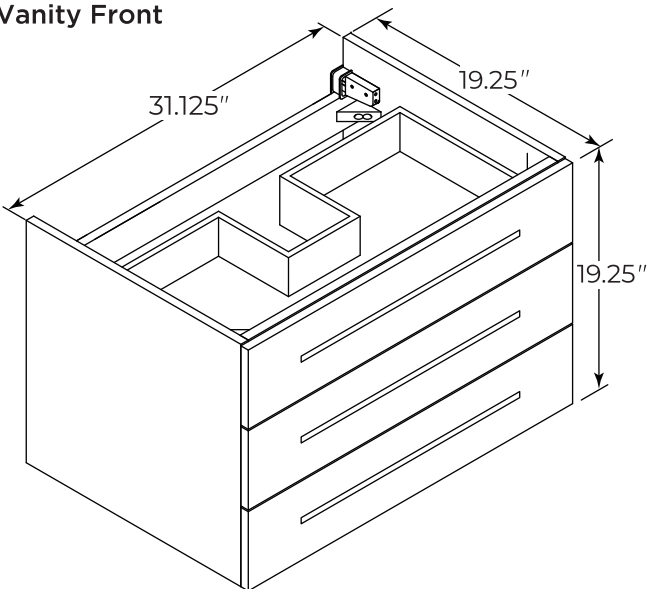
FVN6183



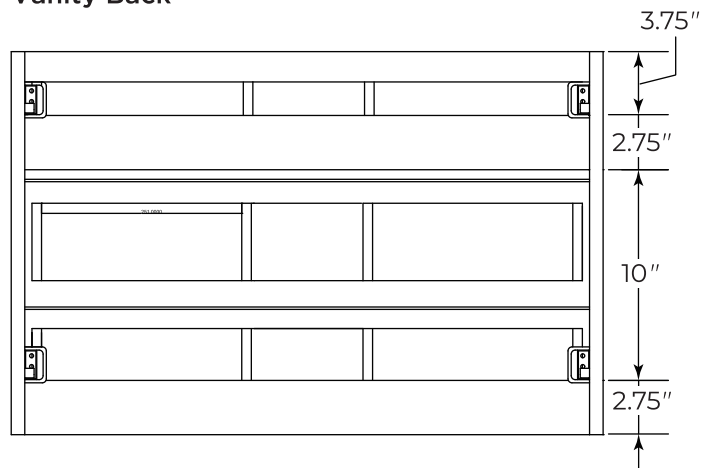
FMR6124
Medicine Cabinet



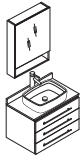
FCB6183-VSL
Vanity Front



FCB6183
Vanity Back



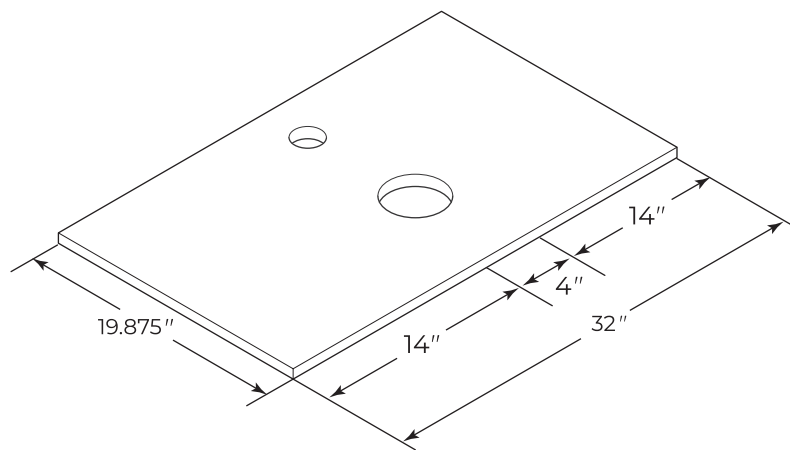
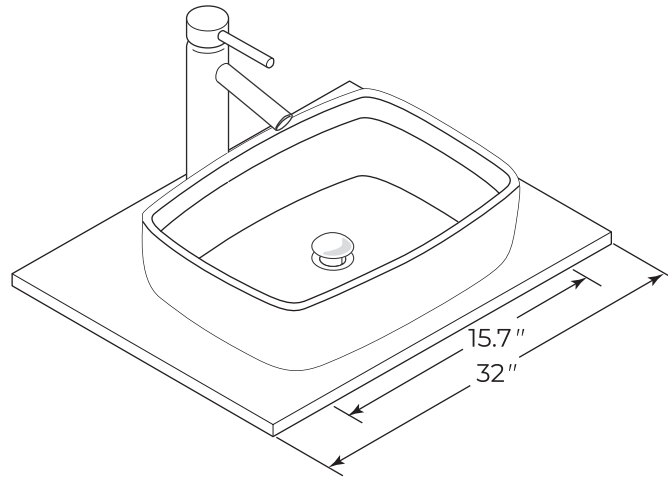
NOTE: All dimensions & specifications are approximate and subject to change without notice.



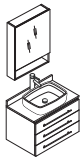
FVN6183 STELLA INSTALLATION GUIDE



FCT6183 Counter Top Front



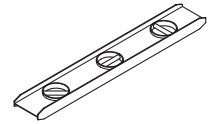
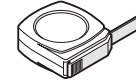
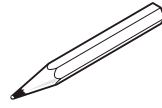
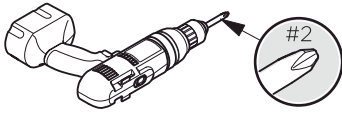
NOTE: All dimensions & specifications are approximate and subject to change without notice.



FVN6183 STELLA INSTALLATION GUIDE

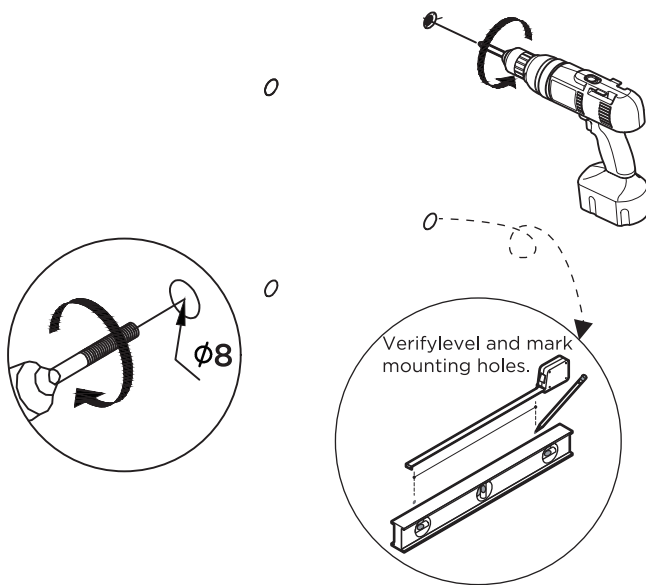


TOOLS FOR ASSEMBLY

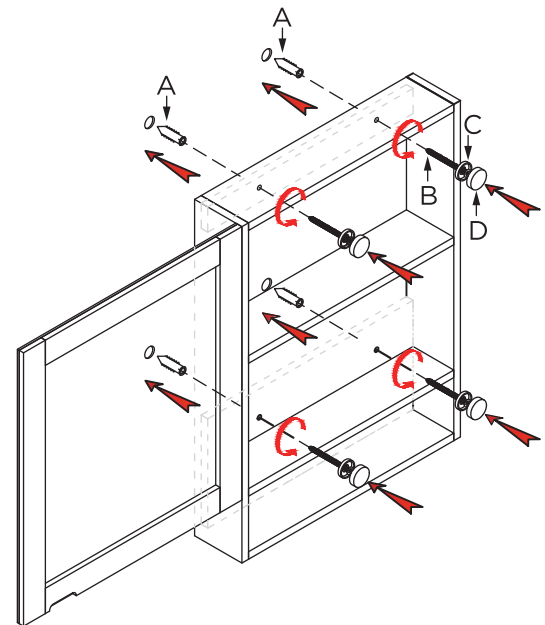


MEDICINE CABINET INSTALLATION

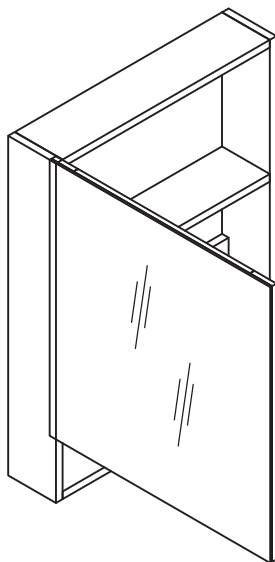
- 1** Measure distance between the holes and mark it on the wall using a level.



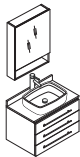
- 2** Press the anchors into the holes.



- 3** Hang mirror on the screws.



IMPORTANT: Consult an expert for the proper screws/bolts to use when attaching to various constructions. Screws provided do not attach to all wall construction types. Anchors are not required if brackets are installed in stud.

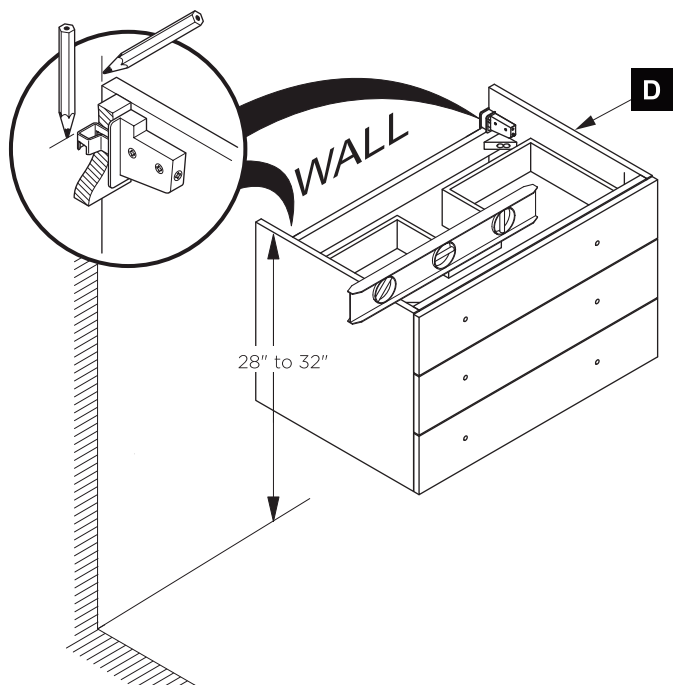


FVN6183 STELLA INSTALLATION GUIDE

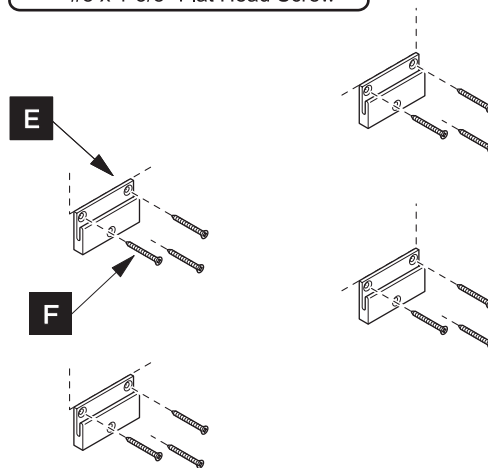
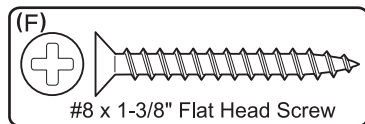


CABINET INSTALLATION

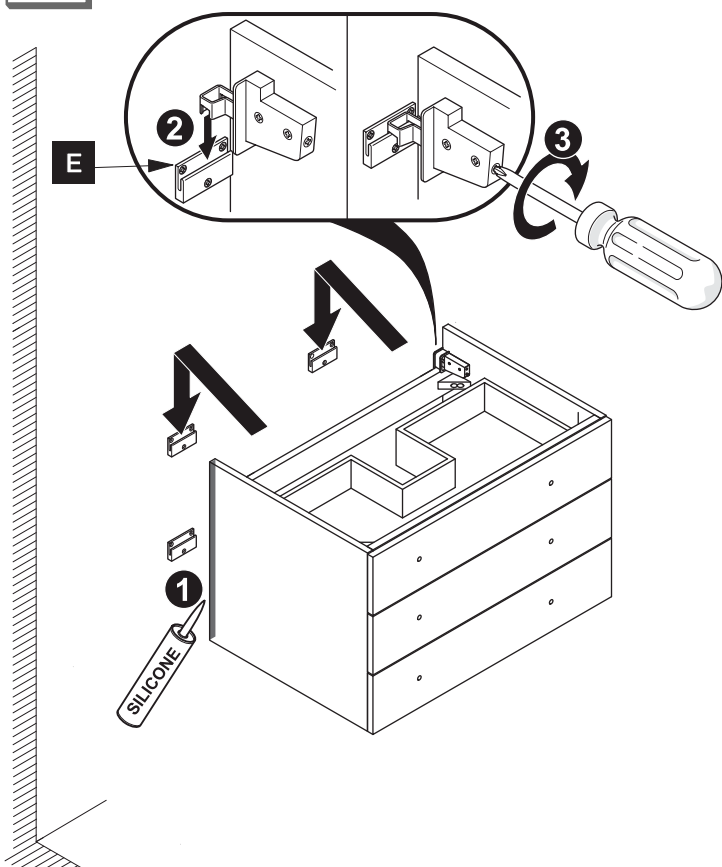
1 Locate cabinet (D) & mark location on the wall



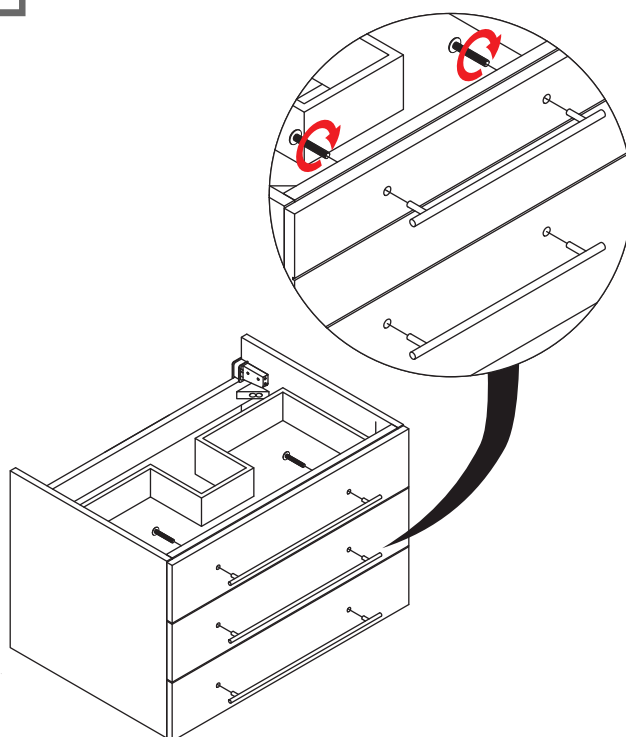
2 Install wall brackets (E)

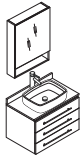


3 install cabinet



4 Install the handle

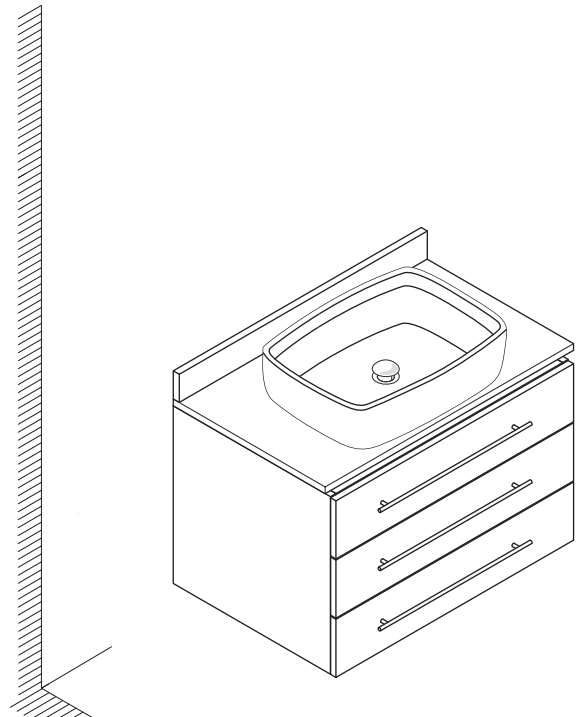
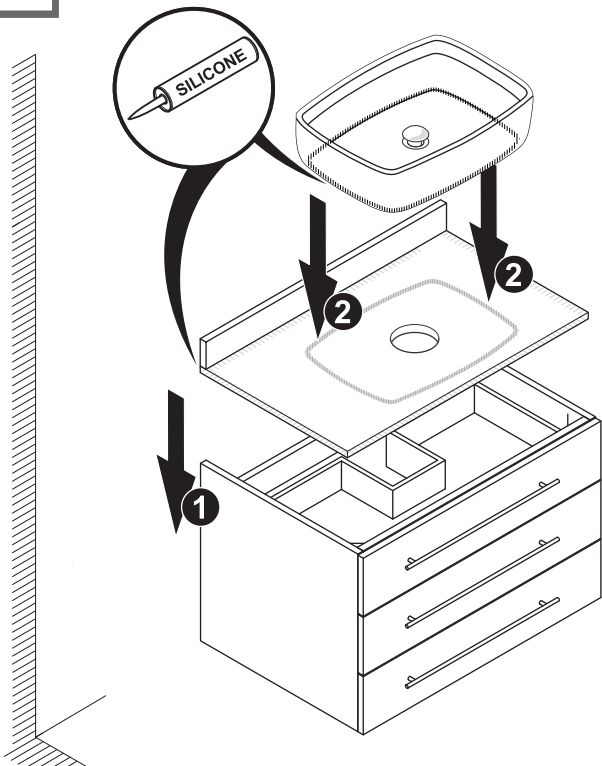




FVN6183 STELLA INSTALLATION GUIDE

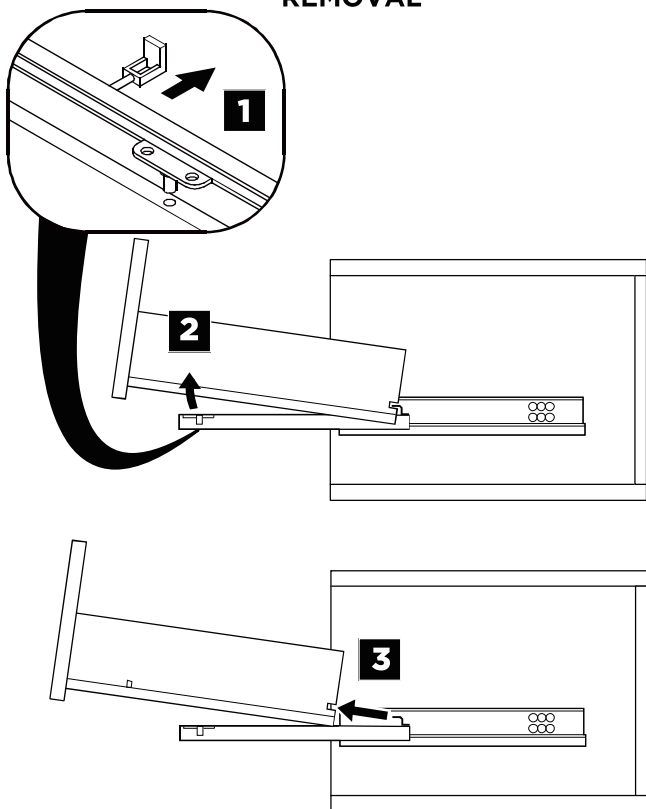


5 Install sink.

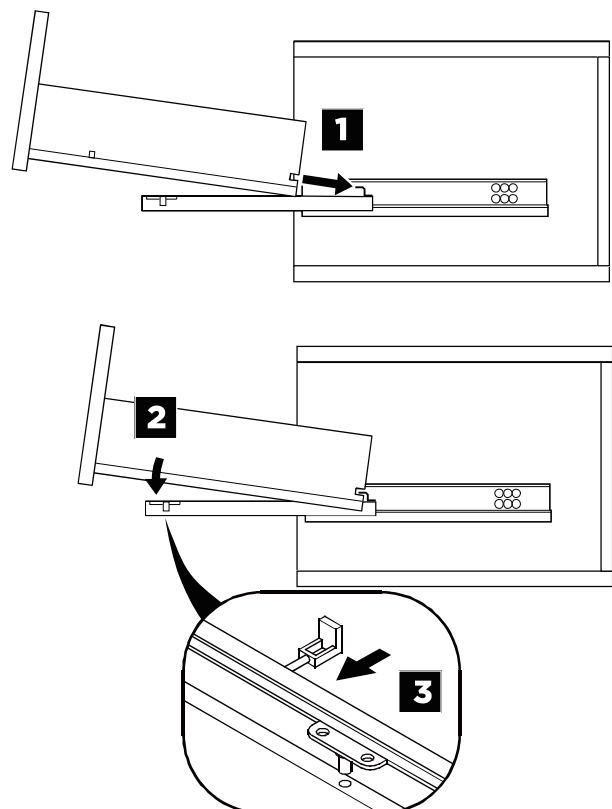


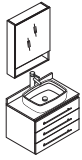
DRAWER REMOVAL & INSTALLATION

REMOVAL



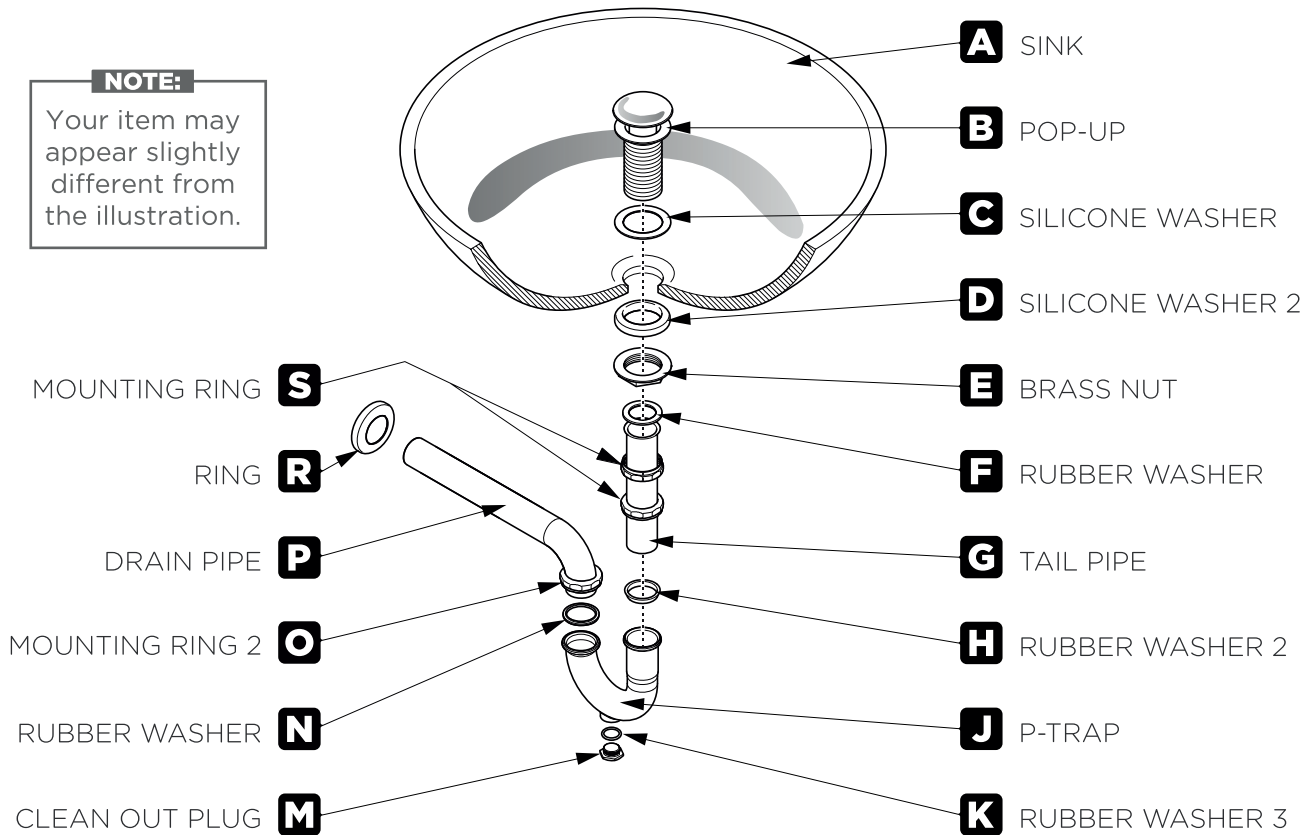
INSTALLATION





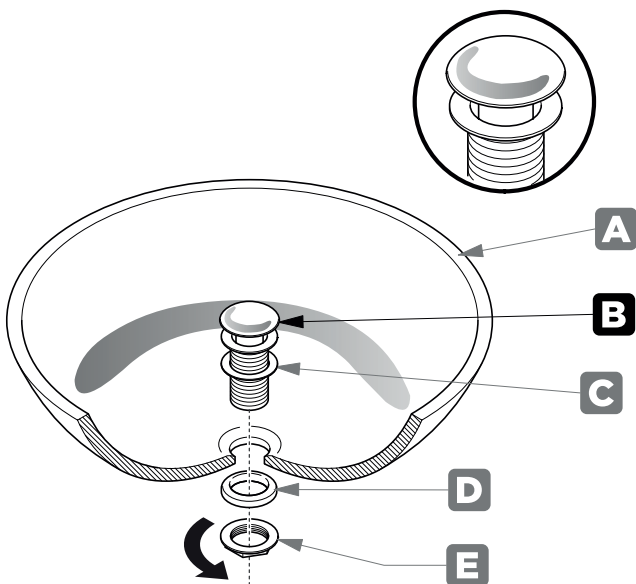
P-TRAP AND POP-UP INSTALLATION INSTRUCTIONS

NOTE:
Your item may appear slightly different from the illustration.



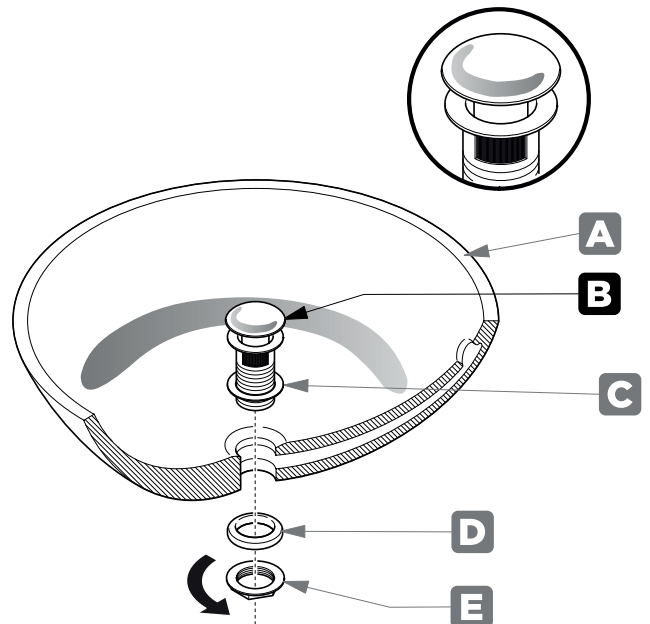
POP-UP INSTALLATION INSTRUCTIONS

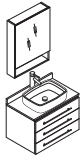
FOR SINKS WITHOUT OVERFLOW



OR

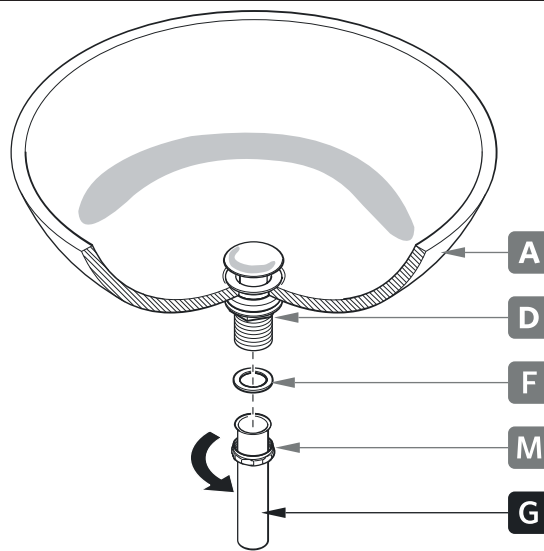
FOR SINKS WITH OVERFLOW





P-TRAP INSTALLATION

1 Install tail pipe (G)



2 Install p-trap (J)

