

4

3

2

1

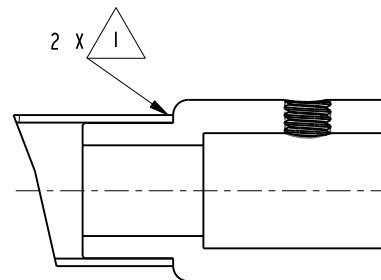
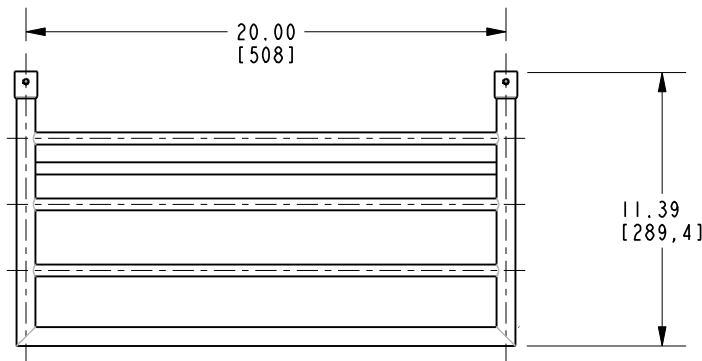
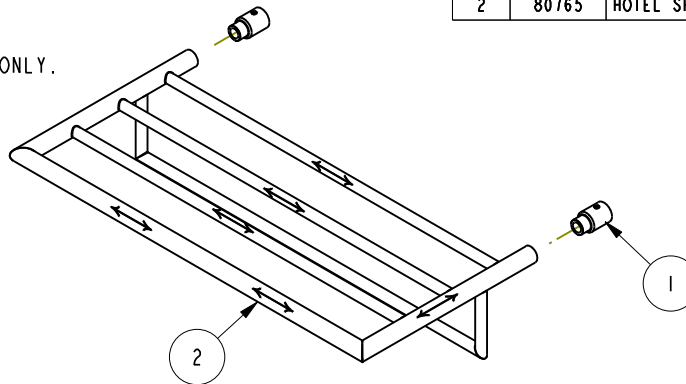
A COMPLETE NON-POURS, FULLY WETTED WITH CAPILLARY ACTION,
BRAZE JOINT USING A56T SILVER ALLOY WITH FOLLOWING COMPOSITION



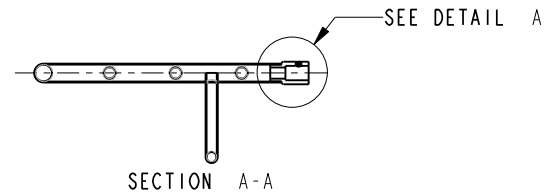
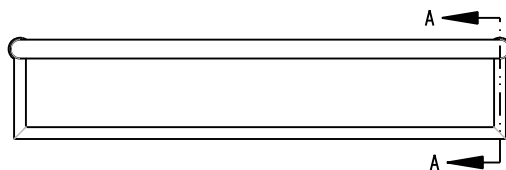
Ag 56
Cu 22
Zn 17
Sn 5

2. ← → INDICATES STROKE DIRECTION FOR SATIN FINISHES ONLY.

BILL OF MATERIAL (CURRENT LEVEL)				
ITEM	PT/ASSY	DESCRIPTION	TYPE	QTY.
1	80751	SLEEVE	PART	2
2	80765	HOTEL SHELF	PART	1



DETAIL A
SCALE 1.000



COPYRIGHT 2005 GINGER. THESE DRAWINGS AND THE DESIGNS DEPICTED HEREIN ARE THE PROPRIETARY PROPERTY OF GINGER. ANY USE OR REPRODUCTION IS SUBJECT TO THE EXPRESS APPROVAL OF GINGER. UNAUTHORIZED USE IS STRICTLY PROHIBITED. ALL RIGHTS RESERVED.

GINGER

2001 CARNEGIE AVE.
SANTA ANA CA 92705
(949) 417-5207

HOTEL SHELF FRAME

ASSY. NO. **XX43S-20**

SCALE .125

REF. -

SHEET 1 OF 2

B	EN-2518	04/30/13
A	EN-2379	12/07/12
-	EN-2062	02/02/12
REV	REV DESC	DATE

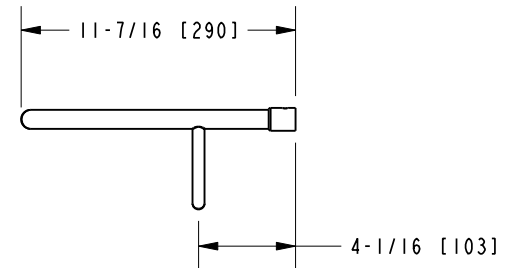
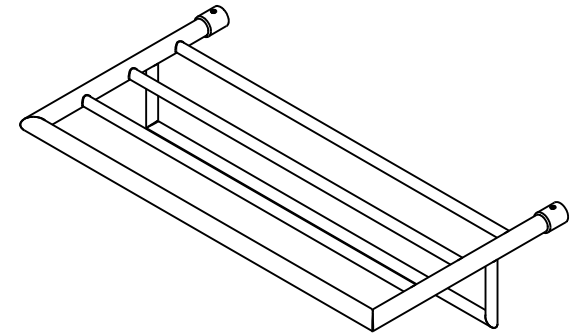
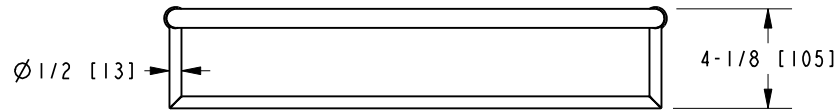
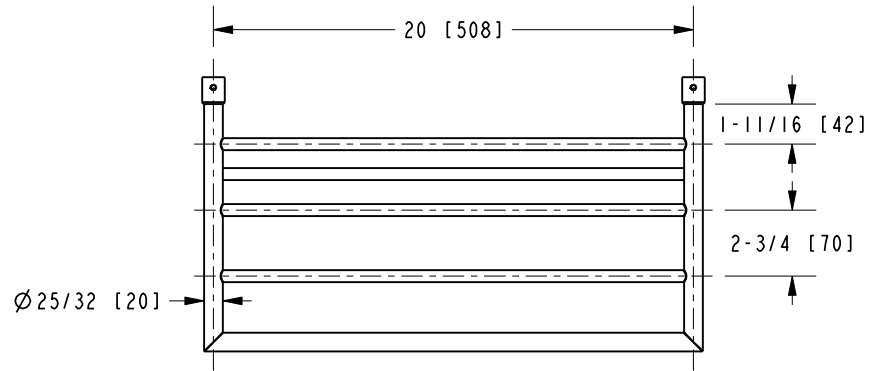
4

3

2

1

SPECIFICATION DWG



DIMENSIONS ARE IN INCHES AND AN APPROXIMATION OF A TYPICAL INSTALLATION

COPYRIGHT 2005 GINGER. THESE DRAWINGS AND THE DESIGNS DEPICTED HEREIN ARE THE PROPRIETARY PROPERTY OF GINGER. ANY USE OR REPRODUCTION IS SUBJECT TO THE EXPRESS APPROVAL OF GINGER. UNAUTHORIZED USE IS STRICTLY PROHIBITED. ALL RIGHTS RESERVED.

GINGER		2001 CARNEGIE AVE. SANTA ANA, CA 92705 (949) 417-5207	
DWG NO.	XX43S-20	REV	B
SCALE	.125	REF.	-
		SHEET	2 OF 2