
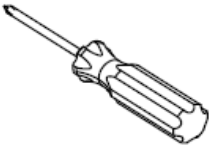

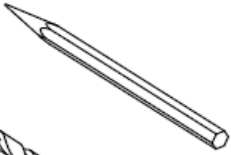

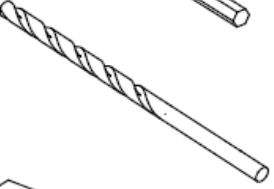

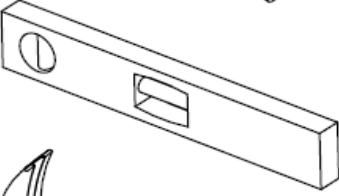

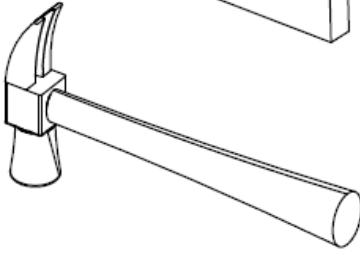

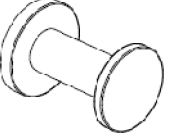


ITEMS INCLUDED		TOOLS REQUIRED	
DRY WALL ANCHOR	 X 4	PHILLIPS SCREW DRIVER	
TILE ANCHOR	 X 4	PEN / PENCIL	
#8 SCREW	 X 4	1/4" (6 mm) DRILL	
MOUNTING BRACKET	 X 2	LEVEL SET	
M6X1 SET SCREW	 X 2	HAMMER	
3MM HEX KEY	 X 1		
SINGLE HOOK	 X 1		

GNG - 4610
EN-0995

KUBIC

INSTALLATION INSTRUCTIONS

4610

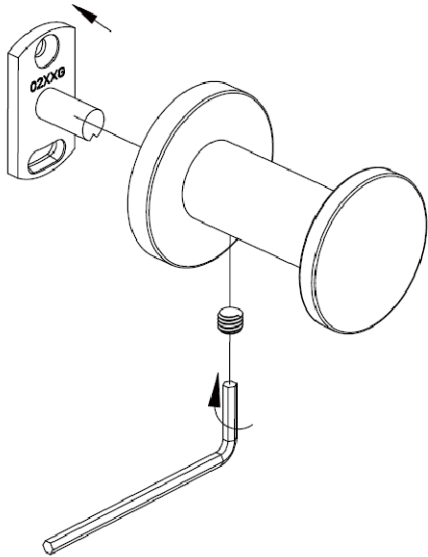
SINGLE HOOK

GINGER
Luxury For Your Lifestyle™

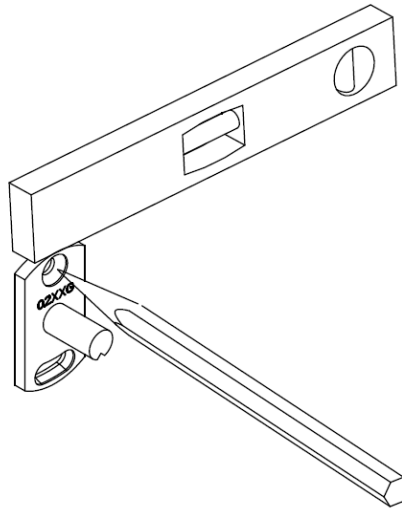
2001 CARNEGIE AVE, SANTA ANA CA 92705
(949) 417-5207
WWW.GINGERCO.COM

REV -

① REMOVE MOUNTING BRACKETS

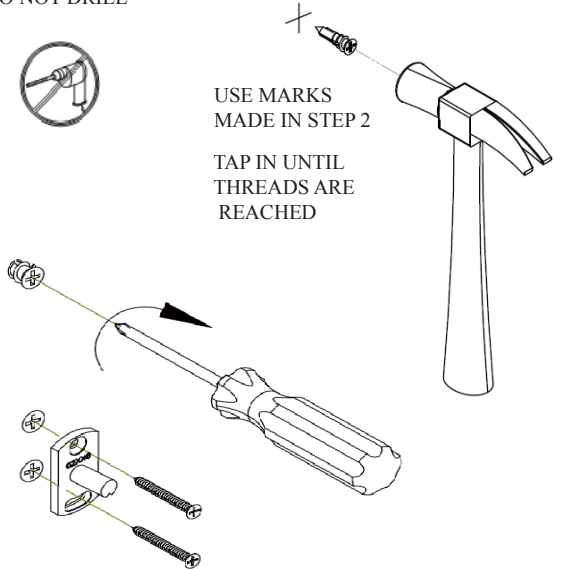


② ALIGN MOUNTING BRACKETS AND MARK LOCATION



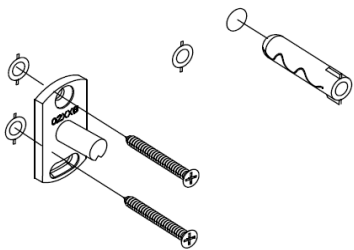
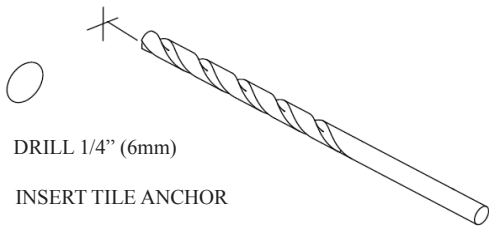
③ DRY WALL INSTALLATION

DO NOT DRILL

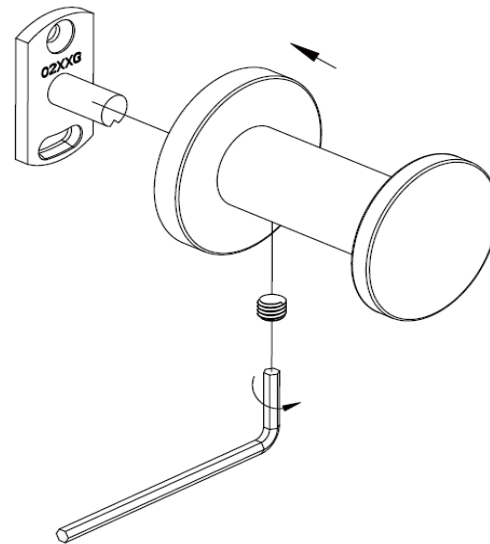


④ TILE OR SOLID WALL INSTALLATION

USE MARKS MADE IN STEP 2



⑤ INSTALL PRODUCT ONTO BRACKETS



SECURE WITH SET SCREW