

*Complement
your purchase
with these
fine accessories
also from
GINGER®*

*Towel Bars
Towel Rings
Toilet Tissue Holders
Hooks
Soap Dishes
Tumbler Holders
Toiletry Shelves
Grab Bars
Mirrors
Lights
Bud Vases
Hotel Shelves
Shower Curtain Rods
Soap & Bottle Baskets
Cabinet Hardware*

GINGER
Luxury For Your Lifestyle™

2001 CARNEGIE AVENUE
SANTA ANA, CA 92705
949-417-5207
www.gingerco.com

SURFACE™

INSTALLATION
INSTRUCTIONS

for
Double
Light

GINGER
Luxury For Your Lifestyle™

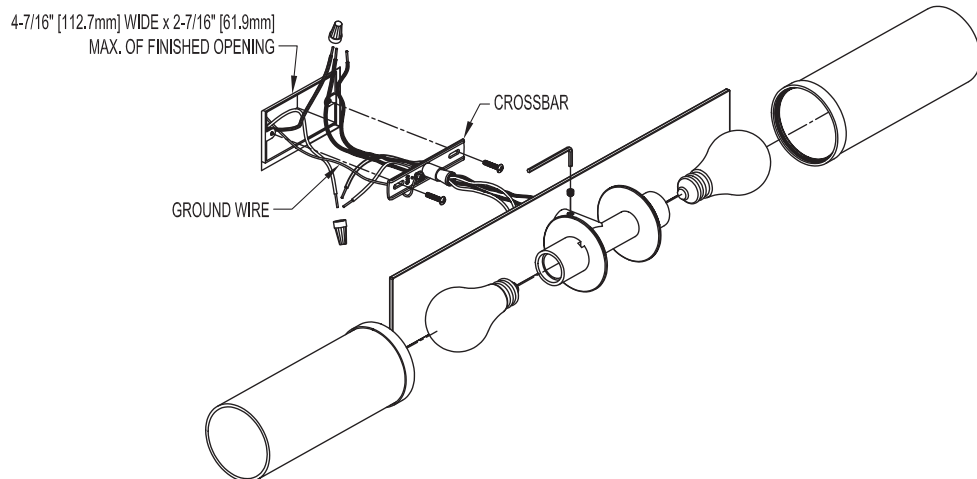
INSTALLATION INSTRUCTIONS

SURFACE™

LIGHT

MODEL 2882

ADA COMPLIANT



INSTALLATION INSTRUCTIONS:

THESE LIGHTS SHOULD BE INSTALLED BY A LICENSED ELECTRICAL CONTRACTOR.

POWER REQUIREMENTS: 100 - 120 VOLTS

SAFETY: TO PREVENT ELECTRICAL SHOCK, BE SURE THAT THE POWER IS OFF BEFORE STARTING INSTALLATION.

NOTES TO INSTALLER:

A. THE BACKPLATE OF THIS FIXTURE WILL COVER A HOLE WITH A MAXIMUM SIZE OF 4-7/16" (112.7 mm) WIDE x 2-7/16" (61.9mm) TALL. THE CROSSBAR IS DESIGNED TO MOUNT DIRECTLY ONTO A STANDARD OUTLET BOX WHICH SHOULD NOT PROTRUDE FROM THE FINISHED WALL SURFACE.

B. THIS LIGHT MAY BE INSTALLED VERTICALLY IF PREFERRED.

INSTALLATION:

1. INSTALL CROSSBAR ONTO OUTLET BOX.
2. CONNECT THE HOUSE GROUND WIRE TO THE CROSSBAR WITH THE ATTACHED GREEN GROUND SCREW.
3. FEED THE LIGHT FIXTURE WIRES THROUGH THE SPINDLE ON THE CROSSBAR.
4. CONNECT THE WHITE WIRES OF THE FIXTURE TO THE HOUSE NEUTRAL (WHITE) WIRE WITH A WIRENUT.
5. CONNECT THE BLACK WIRES OF THE FIXTURE TO THE HOUSE HOT (BLACK) WIRE WITH A WIRENUT.
6. SLIDE THE FIXTURE OVER THE SPINDLE OF THE CROSSBAR UNTIL THE BACKPLATE IS FLUSH AGAINST THE WALL. TIGHTEN THE SETSCREW WITH THE PROVIDED WRENCH.
7. INSTALL LIGHT BULBS.
8. SCREW SHADES ONTO FIXTURE. DO NOT OVERTIGHTEN.

CARE OF FINE BRASS

*To clean, use warm water only.
NEVER use abrasives or detergents.*