

*Complement
your purchase
with these
fine accessories
also from
GINGER®:*

*Lights
Mirrors
Bud Vases
Towel Bars
Towel Rings
Toilet Tissue Holders
Hooks
Soap Dishes
Tumbler Holders
Toiletry Shelves
Shower Curtain Rods
Soap & Bottle Baskets
Hotel Shelves
Grab Bars
Cabinet Hardware*



460-N Greenway Industrial Drive
Fort Mill, SC 29708

www.gingerco.com

HOTELIER

INSTALLATION INSTRUCTIONS

for
**550, 551 & 551D
Baskets**

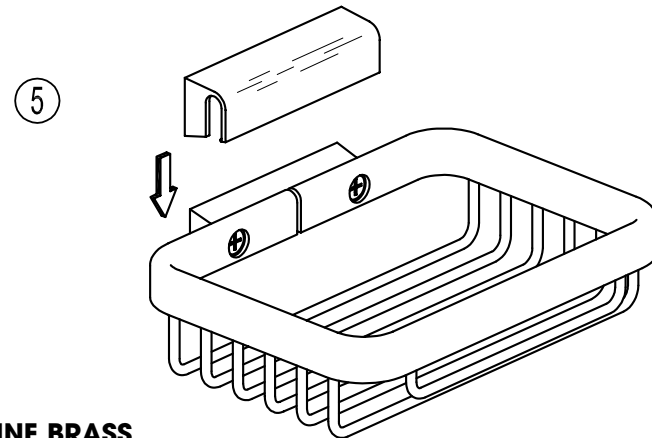
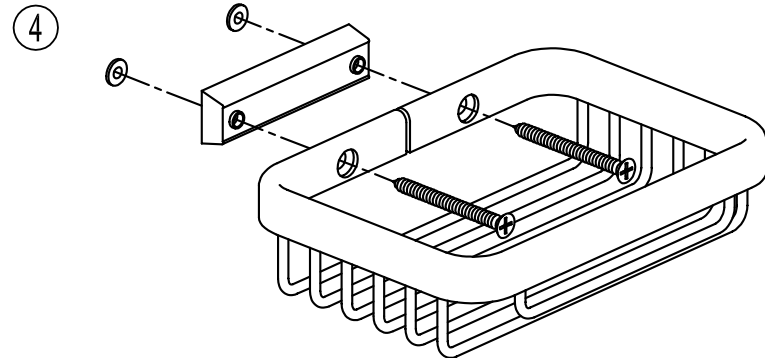
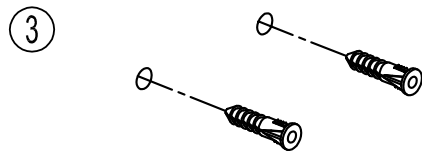
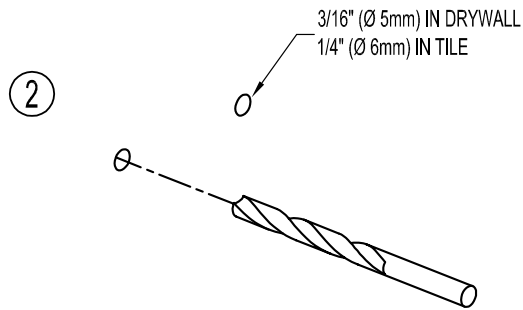
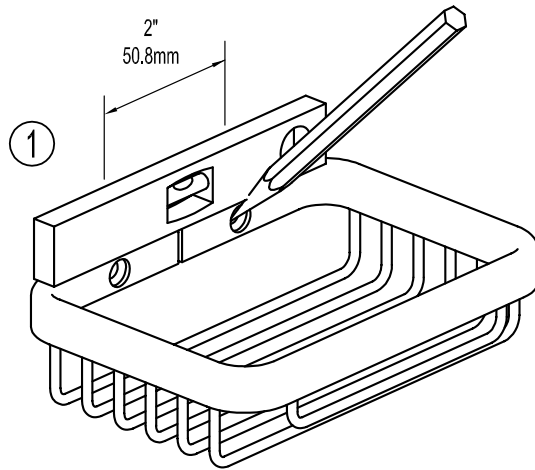




INSTALLATION INSTRUCTIONS

For Hotelier 550, 551 and 551D Baskets

TO PREVENT LOSS OF SMALL PARTS, COVER DRAIN BEFORE BEGINNING.



CARE OF FINE BRASS

The finish is protected with a clear, durable, baked-on enamel. To clean, use warm soapy water, and dry with a soft cloth. Occasional paste waxing is also recommended. NEVER use brass polish, abrasives or abrasive wax.