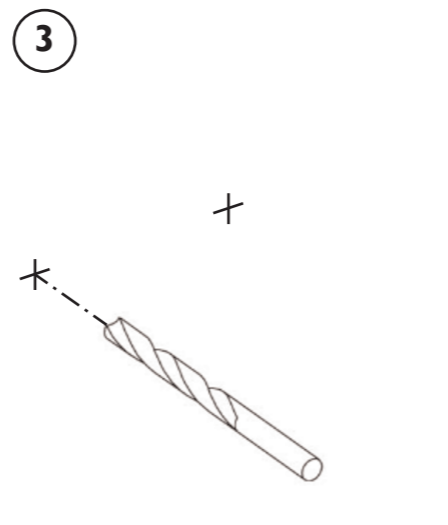
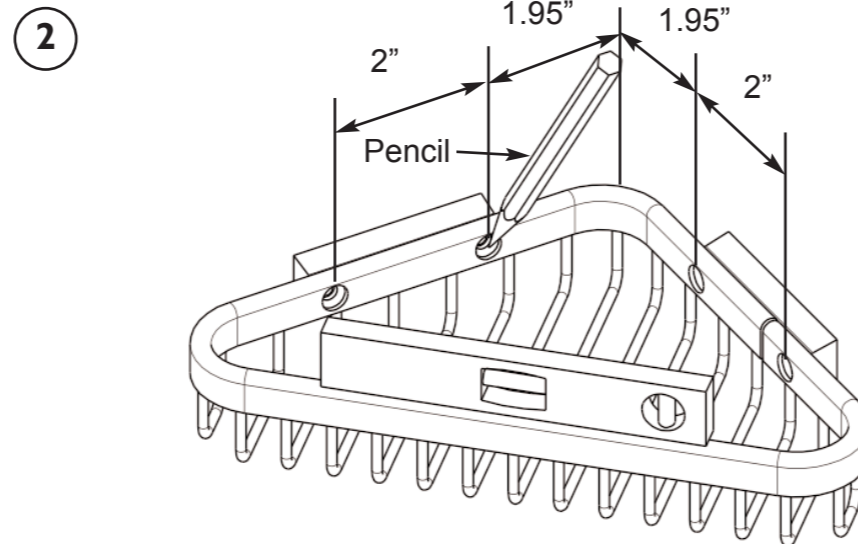
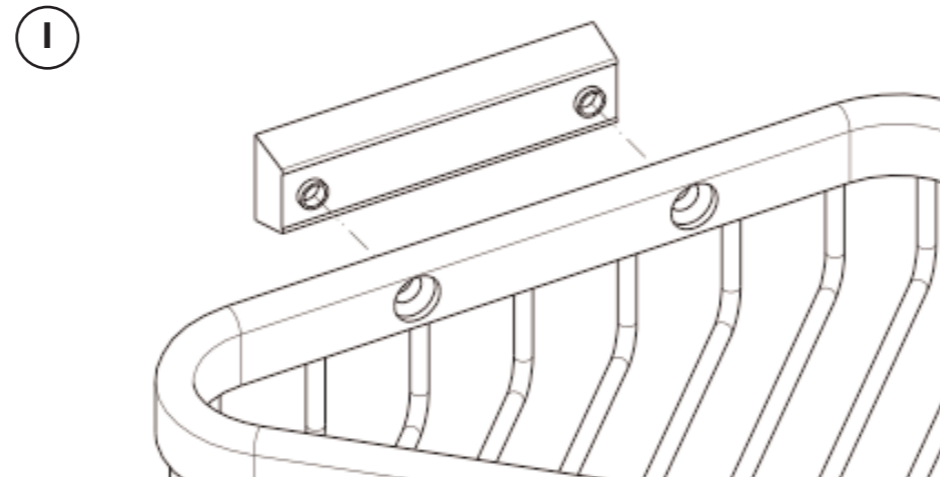


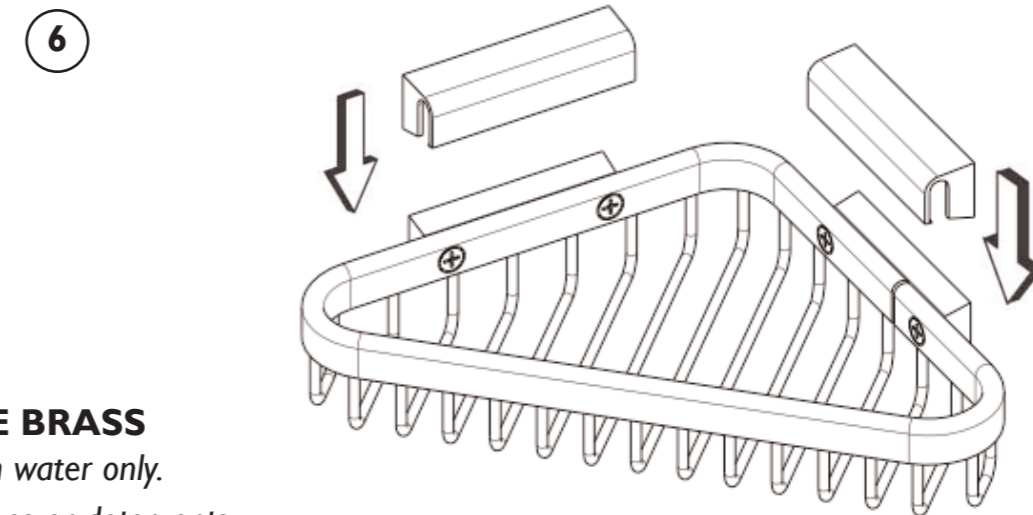
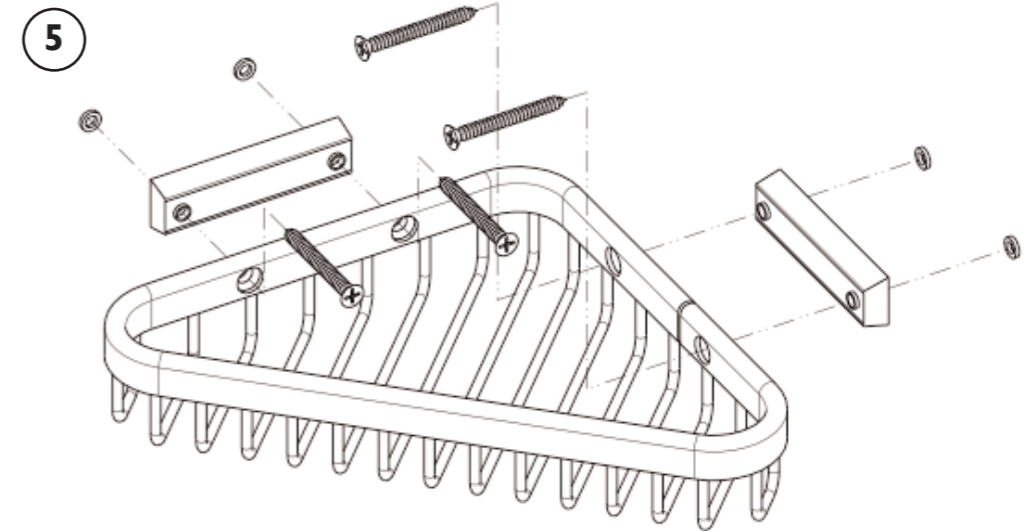
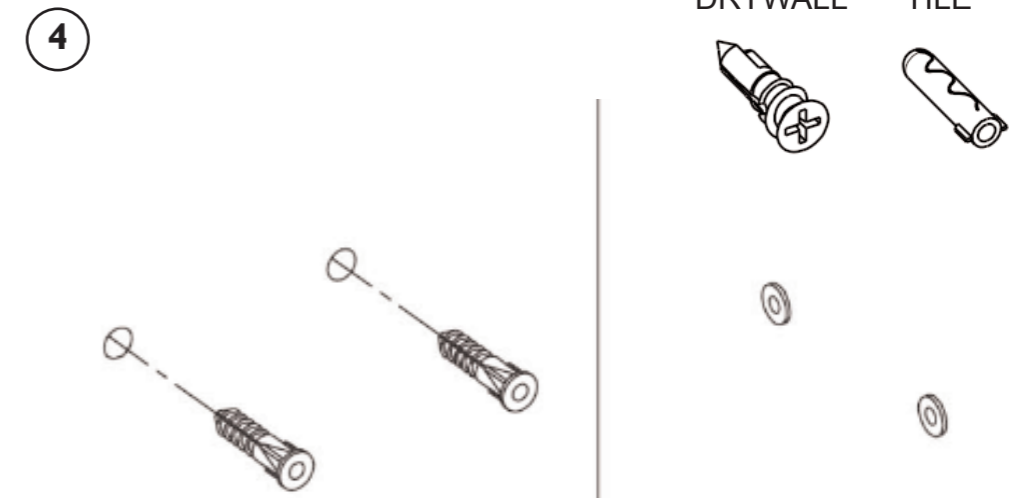
## GINGER BASKETS

### INSTALLATION INSTRUCTIONS

#553G, #553DG



Marks made in Step 2  
 3/16" (5mm) in DRYWALL  
 1/4" (6mm) in TILE



**CARE OF FINE BRASS**  
 To clean, use warm water only.  
 NEVER use abrasives or detergents.