

*Complement
your purchase
with these
fine accessories
also from
GINGER®:*

*Towel Bars
Towel Rings
Toilet Tissue Holders
Hooks
Soap Dishes
Tumbler Holders
Toiletry Shelves
Grab Bars
Mirrors
Lights
Bud Vases
Hotel Shelves
Shower Curtain Rods
Soap & Bottle Baskets
Cabinet Hardware*

CANTERBURY-1508
CASSANDRA-1408
CHELSEA-1108
SUSSEX-1708

INSTALLATION
INSTRUCTIONS

for
**DOUBLE POST
TOILET TISSUE
HOLDER**

G U S A

460-N Greenway Industrial Drive
Fort Mill, SC 29708



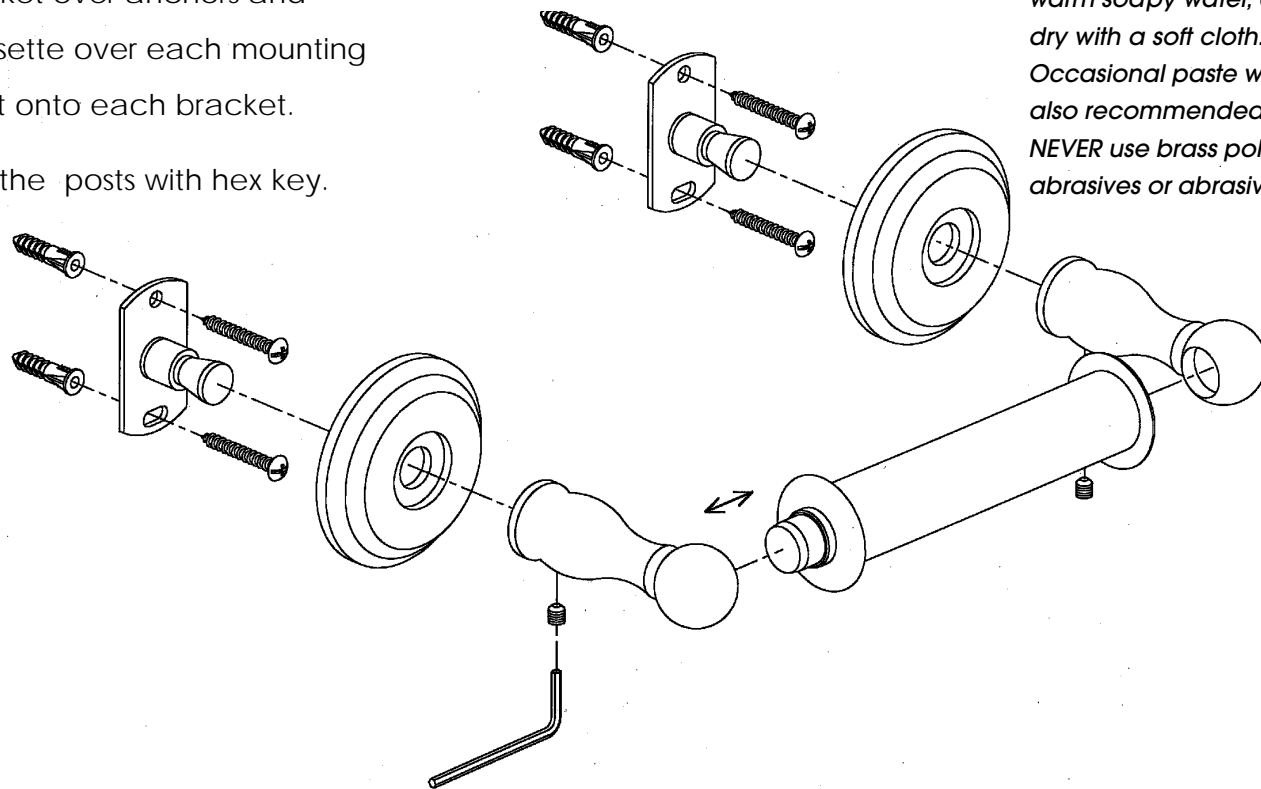
DOUBLE POST TOILET TISSUE HOLDER

1. Mark CTC (Center to Center - see chart at right) dimension of tissue holder on wall at desired mounting position.
2. Position center of mounting bracket over marks made in Step 1 and trace screw hole positions for both brackets onto wall.
3. Drill 3/16" (5mm) holes in drywall, 1/4" (6mm) in tile at screw hole marks. Insert anchors and tap flush with wall.
4. Position mounting bracket over anchors and install screws. Place rosette over each mounting bracket, then slide post onto each bracket.
5. Tighten set screws into the posts with hex key.
6. Compress roller and insert between the posts of the unit.

APPLICATIONS:		CTC
Canterbury	Chelsea	6"
Sussex		5 5/8"
Cassandra		6 5/16"

CARE OF FINE BRASS

The finish is protected with a clear, durable, baked-on enamel. To clean, use warm soapy water, and dry with a soft cloth. Occasional paste waxing is also recommended. NEVER use brass polish, abrasives or abrasive wax.



GINGER