
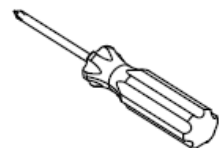

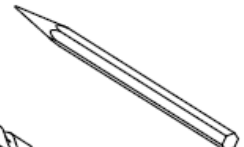

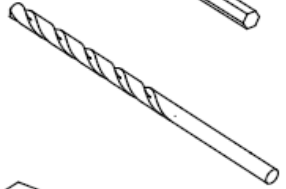

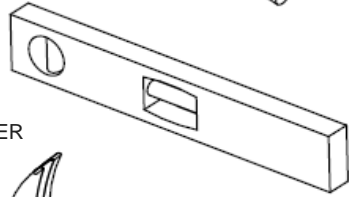

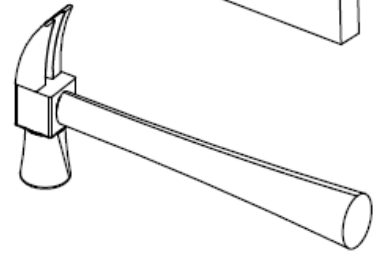

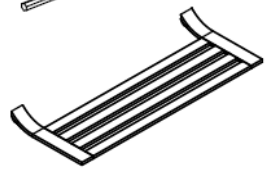


ITEMS INCLUDED		TOOLS REQUIRED	
DRY WALL ANCHOR	 X 6	PHILLIPS SCREW DRIVER	
TILE ANCHOR	 X 6	PEN / PENCIL	
#8 SCREW	 X 6	1/4" (6 mm) DRILL	
MOUNTING BRACKET	 X 2	LEVEL SET	
1/4-28 SET SCREW	 X 2	HAMMER	
1/8" HEX KEY	 X 1		
HOTEL SHELF	 X 1		

# CINU

## INSTALLATION INSTRUCTIONS

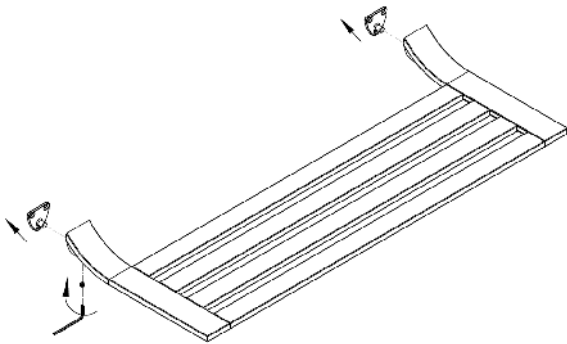
4740-24

### HOTEL SHELF

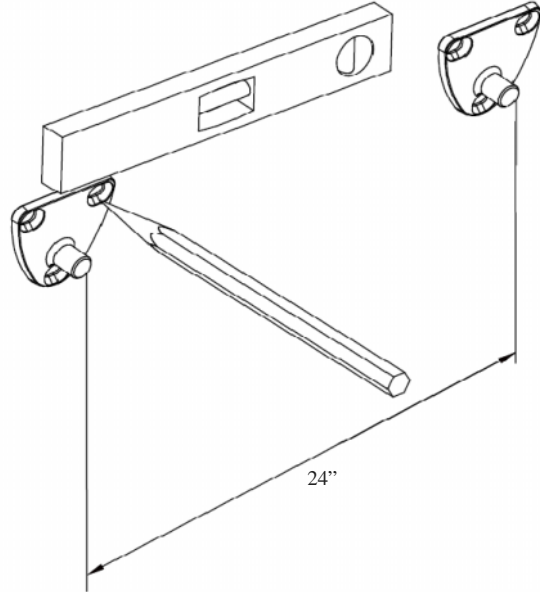


2001 CARNEGIE AVE, SANTA ANA CA 92705  
 (949) 417-5207  
 WWW.GINGERCO.COM

① REMOVE MOUNTING BRACKETS

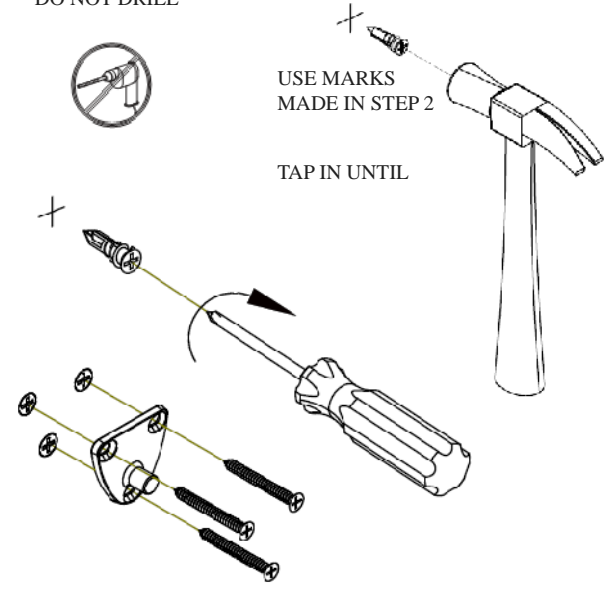


② ALIGN MOUNTING BRACKETS AND MARK LOCATION



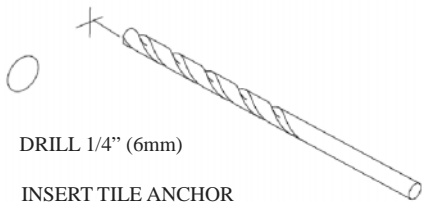
③ DRY WALL INSTALLATION

DO NOT DRILL



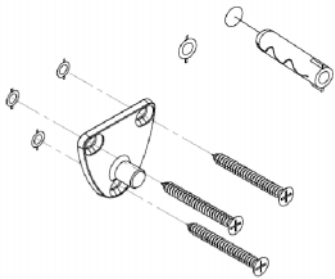
④ TILE OR SOLID WALL INSTALLATION

USE MARKS MADE IN STEP 2

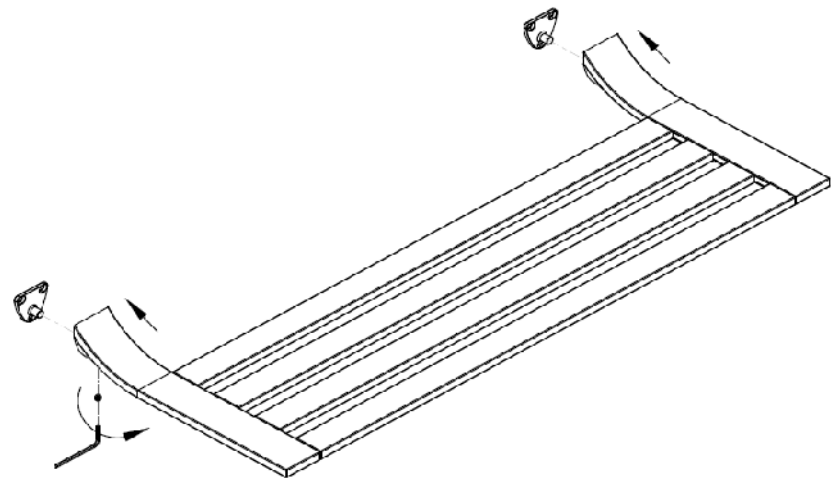


DRILL 1/4" (6mm)

INSERT TILE ANCHOR



⑤ INSTALL PRODUCT ONTO BRACKETS



SECURE WITH SET SCREW