

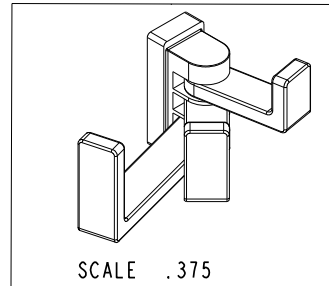
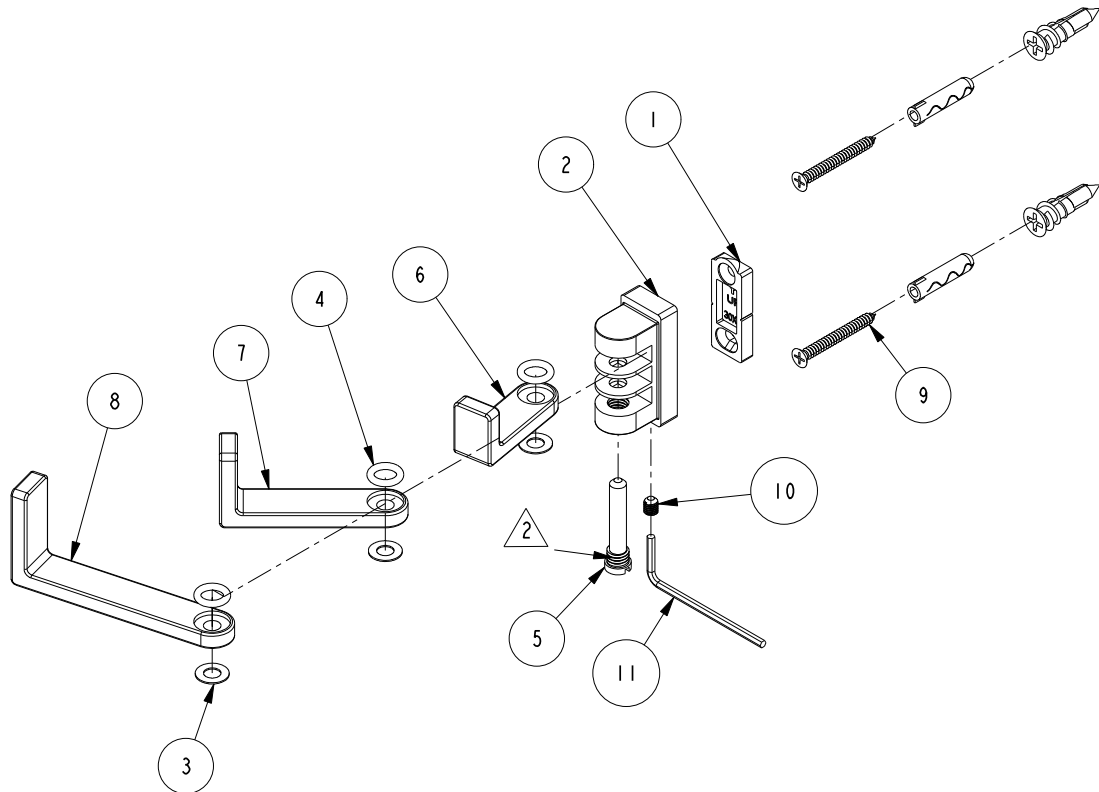
NOTES:

(N1) 1. FIT / FORM / FUNCTION SHALL FOLLOW PS-E.008.

(N2) \triangle 2 APPLY LOCTITE 680.

BILL OF MATERIAL (CURRENT LEVEL)

ITEM	PT/ASSY	DESCRIPTION	TYPE	QTY.
1	30XX	MOUNTING BRACKET - SHORT	PART	1
2	40615	TRIPLE HOOK BASE	PART	1
3	91488	CLEAR VINYL WASHER	PART	3
4	91502	O-RING, 2.5 X 8MM ID, EPDM, 65-75 DURO	PART	3
5	40391	TRIPLE HOOK PIVOT PIN	PART	1
6	40619	SHORT HOOK ARM	PART	1
7	40620	MEDIUM HOOK ARM	PART	1
8	40621	LONG HOOK ARM	PART	1
9	1-206	HARDWARE PACK	ASSEMBLY	1
10	92303	SCRW, M5 X 6 SKT HD CUP PT SS	PART	1
11	10888	HEX KEY, 2.5MM ALLOY STEEL	PART	1



TESTING	-	-	-
ASSEMBLY	-	-	-
PLATING	-	-	-
POLISHING	-	NEXT ASSY	USED ON
MACHINING	-	APPLICATION	
TOOLING FIXTURE #	REMOVE ALL BURRS AND SHARP EDGES		

UNITS ARE: INCHES [MM]	
TOLERANCES ARE:	
FRACTIONS DECIMALS	ANGLES
$\pm 1/16"$	$\pm 1^\circ$
.X $\pm .1$ [2.5]	
.XX $\pm .06$ [1.5]	
(X.XXX) DENOTES CRITICAL DIMS.	
ALL THREADS ARE CRITICAL	
DRAWN	R.S. 11/06/15
CHECKED	J.M. 11/06/15
APPROVED	J.M. 11/06/15

BRASSTECH 2001 CARNEGIE AVE.
INCORPORATED SANTA ANA, CA 92705
(949) 417-5207

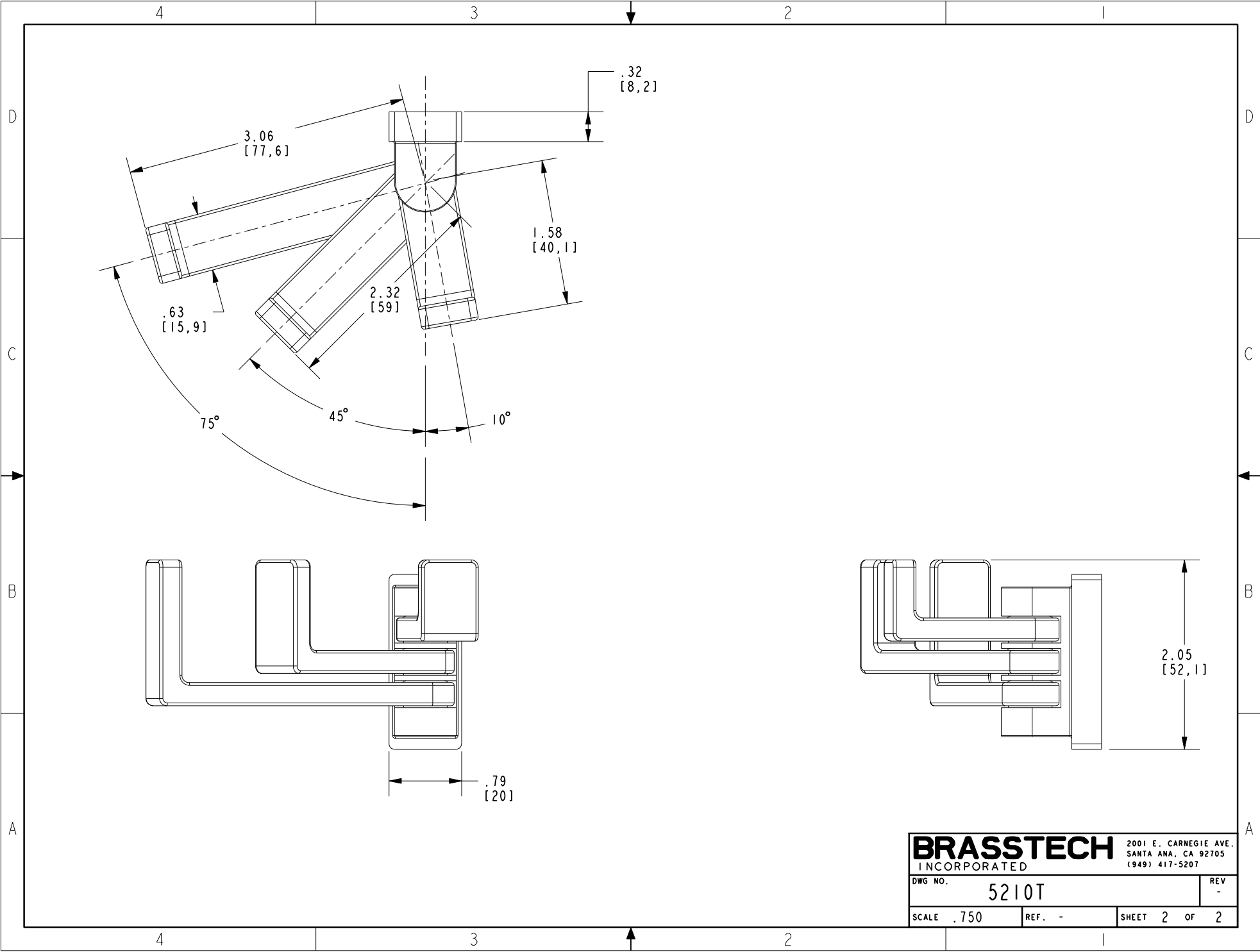
TRIPLE SWIVELING HOOK

DWG NO. 5210T

SCALE .375 REF. - SHEET 1 OF 2

COPYRIGHT 2005 BRASSTECH, INC. THESE DRAWINGS AND THE DESIGNS DEPICTED HEREIN ARE THE PROPRIETARY PROPERTY OF BRASSTECH. ANY USE OR REPRODUCTION IS SUBJECT TO THE EXPRESS APPROVAL OF BRASSTECH. UNAUTHORIZED USE IS STRICTLY PROHIBITED. ALL RIGHTS RESERVED.

-	-	EN-2846	11/06/15	J.M.
ZONE	REV	DESCRIPTION	DATE	APPROVED



BRASSTECH		2001 E. CARNEGIE AVE.
INCORPORATED		SANTA ANA, CA 92705
		(949) 417-5207
DWG NO.	5210T	REV -
SCALE .750	REF. -	SHEET 2 OF 2