


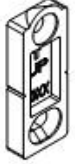


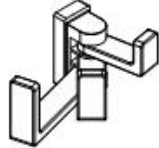


ITEMS INCLUDED		TOOLS REQUIRED	
DRY WALL ANCHOR		X 2	
TILE ANCHOR		X 2	
#8 SCREW		X 2	
MOUNTING BRACKET		X 1	
M5x0.8 SET SCREW		X 1	
2.5MM ALLOY HEX KEY		X 1	
TRIPLE SWIVELING HOOK		X 1	
			PHILLIPS SCREW DRIVER
			PEN / PENCIL
			1/4" (6 mm) DRILL
			LEVEL SET
			HAMMER

LINEAL

INSTALLATION INSTRUCTIONS

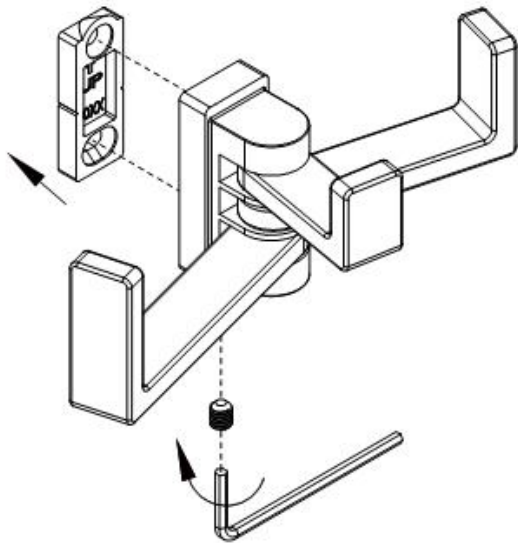
5210T

TRIPLE SWIVELING HOOK

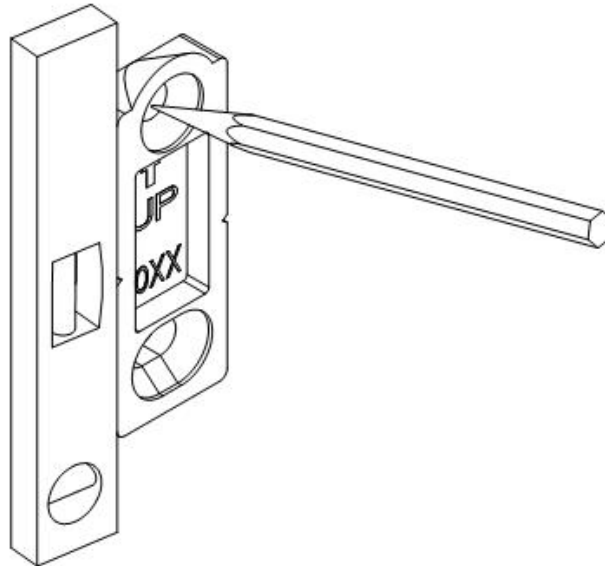
GINGER
Luxury For Your Lifestyle™

2001 CARNEGIE AVE, SANTA ANA CA 92705
 (949) 417-5207
 WWW.GINGERCO.COM

① REMOVE MOUNTING BRACKET

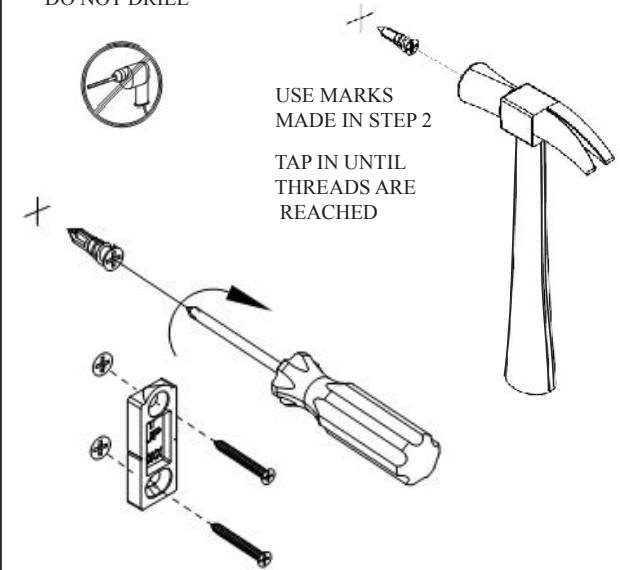


② ALIGN MOUNTING BRACKET AND MARK LOCATION

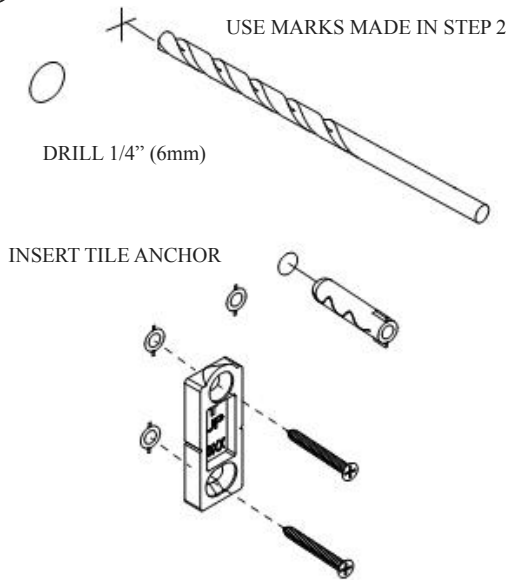


③ DRY WALL INSTALLATION

DO NOT DRILL



④ TILE OR SOLID WALL INSTALLATION



⑤ INSTALL PRODUCT ONTO BRACKET

