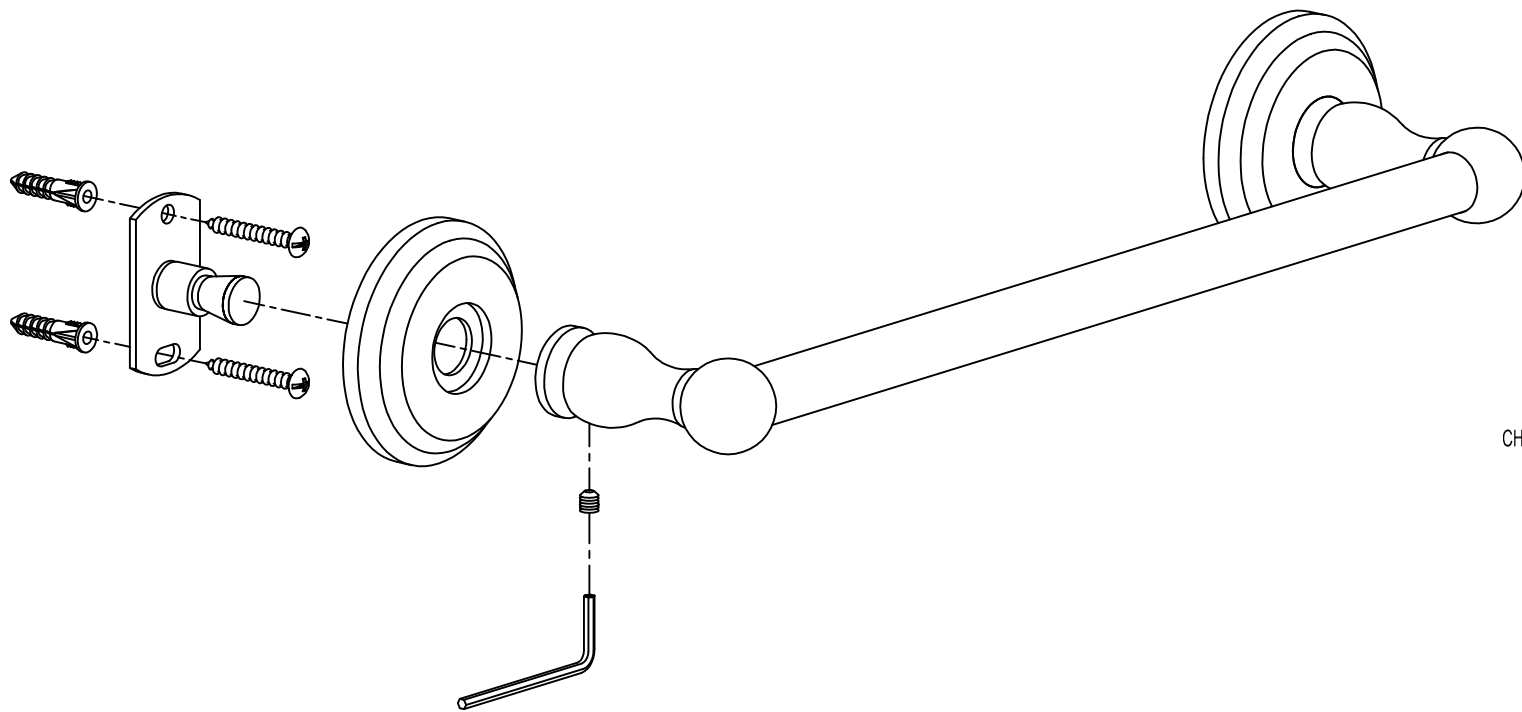
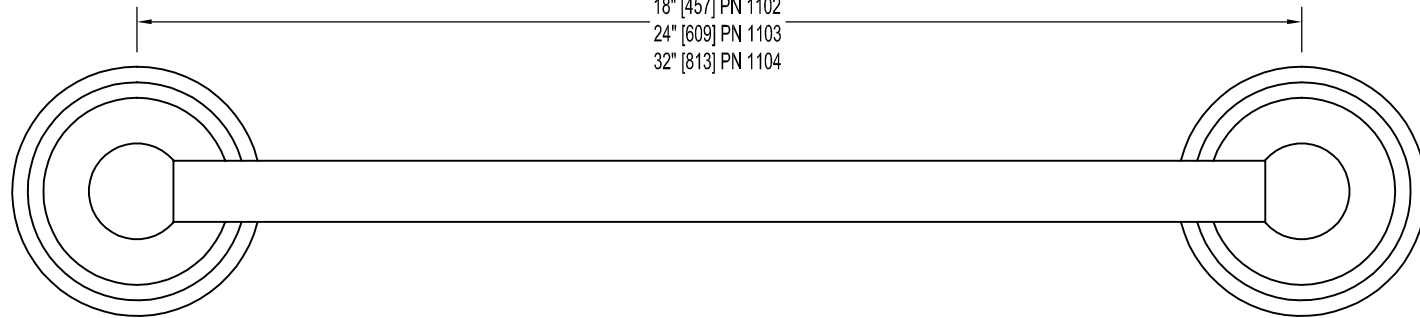


12" [304] PN 1101
 18" [457] PN 1102
 24" [609] PN 1103
 32" [813] PN 1104



CHELSEA TOWEL BARS

LENGTH	PART NO.
12"	1101
18"	1102
24"	1103
32"	1104

FINISHES: 3-POL. BRASS, 10B-OIL-RUB. BRONZE, 14-POL. NICKEL, 15-SATIN NICKEL, 15A-ANT. NICKEL, 26-POL. CHROME, 26/3-COMBO		
MATERIAL: FORGED BRASS ROSETTE, BRASS POST AND TUBE, PLATED STEEL HARDWARE		
PART NOS. 1101~1104		WEIGHT: 1 LBS. 8 OZ. [680 G.] (18")
TOWEL BARS		DWG.NO. PD-1101
DATE: 1.FEB.00	REV. 22.JUN.01	SCALE 1:2
CHELSEA		