

SPLASHABLES®

INSTALLATION INSTRUCTIONS

for
504
Corner
Combination
Basket

*Complement
your purchase
with these
fine accessories
also from
GINGER®:*

*Towel Bars
Towel Rings
Toilet Tissue Holders
Hooks
Soap Dishes
Tumbler Holders
Toiletry Shelves
Grab Bars
Mirrors
Lights
Bud Vases
Hotel Shelves
Shower Curtain Rods
Soap & Bottle Baskets
Cabinet Hardware*

GINGER
Luxury For Your Lifestyle™

2001 CARNEGIE AVENUE
SANTA ANA, CA 92705
949-417-5207
www.gingerco.com

GINGER
Luxury For Your Lifestyle™

GINGER
Luxury For Your Lifestyle™

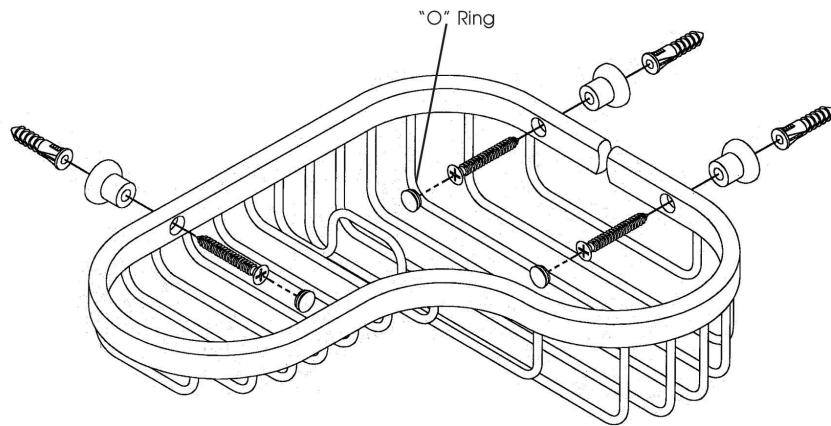


TEMPLATE



INSTALLATION INSTRUCTIONS

FOR
GINGER
504
BASKET



To prevent loss of small parts, cover drain before beginning.

- 1. Fold this instruction sheet on the dotted line.
- 2. Using this sheet as a template, mark the location of the mounting screw holes on the walls.
- 3. To mount on Tile, Drill 1/4" (6mm) holes on the marks.
To mount on Drywall, Drill 3/16" (5mm) holes on the marks.
- 4. Push the plastic wall anchors into the holes until the flanges contact the wall.
- 5. Insert the mounting screws through the basket frame and posts and tighten into wall anchors.
- 6. Place "O" Ring on screw cover then Insert screw covers. Wetting the black rubber on the cover will make insertion easier.

SPLASHABLES®