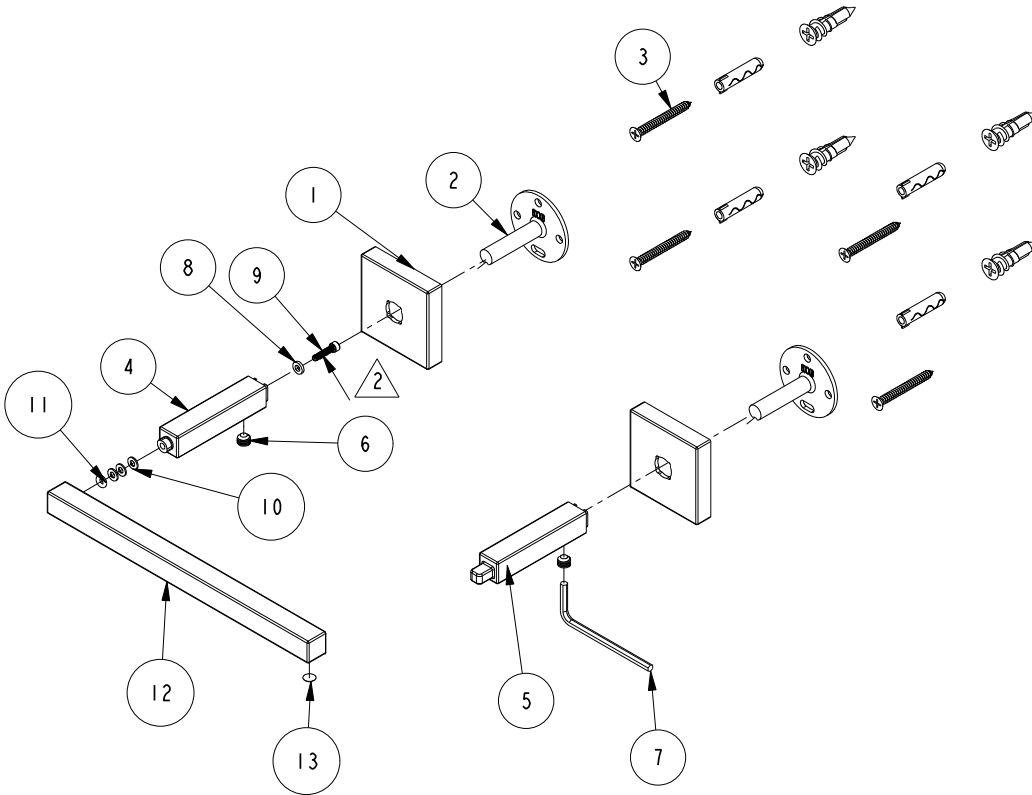


NOTES:

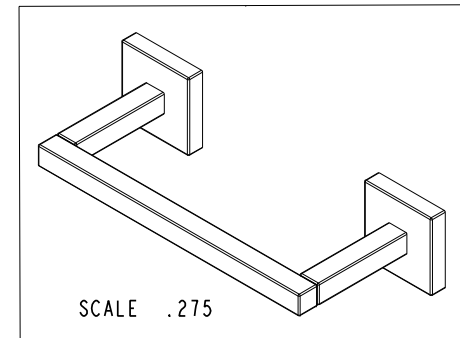
(N1) 1. FIT / FORM / FUNCTION SHALL FOLLOW PS-E.008.

(N2)  APPLY LOCTITE 680.



BILL OF MATERIAL (CURRENT LEVEL)

ITEM	PT/ASSY	DESCRIPTION	TYPE	QTY.
1	40596	ESCUTCHEON	PART	2
2	6XXB	MOUNTING BRACKET	PART	2
3	1-206	HARDWARE PACK	ASSEMBLY	2
4	40625	PIVOTING TISSUE POST LEFT	PART	1
5	40626	PIVOTING TISSUE POST RIGHT	PART	1
6	92563	SCRW, 1/4-28 X 3/16 SKT HD CUP PT SS	PART	2
7	92422	HEX KEY, 1/8" ALLOY STEEL	PART	1
8	92479	WSHR, .125 ID X .25 OD X .05-.08 THK, FLT, SS	PART	1
9	92442	SCRW, 4-40 X 1/2 SKT HD CAP SS	PART	1
10	92441	WSHR, .12 ID X .25 OD X .02-.04 THK, FLT, DELRIN	PART	3
11	91100	O-RING, #2-006, EPDM, 65-75 DURO	PART	1
12	40627	PIVOTING TISSUE ARM	PART	1
13	91254	POLY BUMPER PAD, DIA .250" X .062"	PART	1



COPYRIGHT 2005 BRASSTECH, INC. THESE DRAWINGS AND THE DESIGNS DEPICTED HEREIN ARE THE PROPRIETARY PROPERTY OF BRASSTECH. ANY USE OR REPRODUCTION IS SUBJECT TO THE EXPRESS APPROVAL OF BRASSTECH. UNAUTHORIZED USE IS STRICTLY PROHIBITED. ALL RIGHTS RESERVED.

TESTING	-	-	-
ASSEMBLY	-	-	-
PLATING	-	-	-
POLISHING	-	NEXT ASSY	USED ON
MACHINING	-	APPLICATION	
TOOLING FIXTURE #	REMOVE ALL BURRS AND SHARP EDGES		

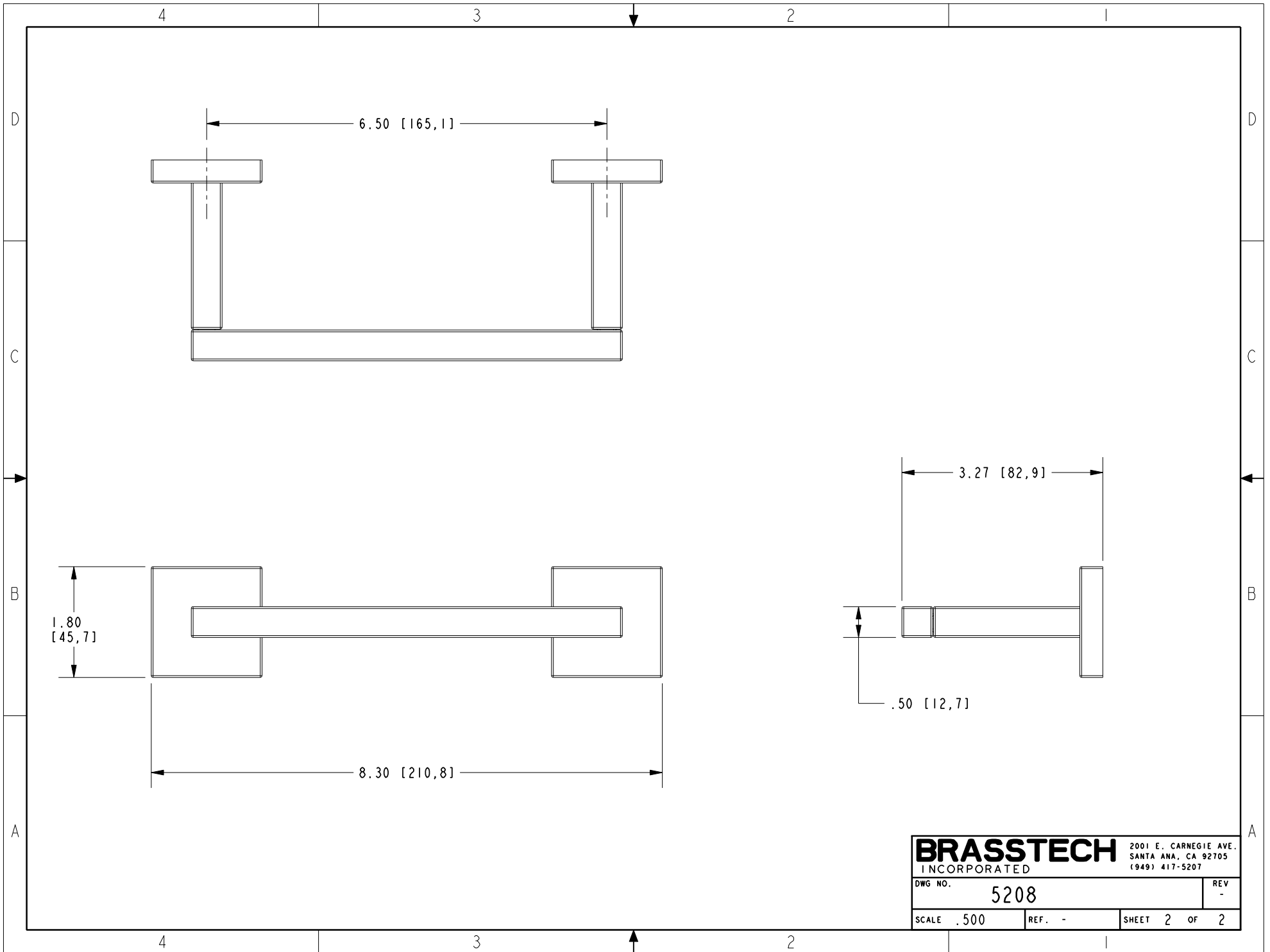
UNITS ARE: INCHES [MM]
TOLERANCES ARE:
FRACTIONS DECIMALS ANGLES
±1/16" .X ±.1 [2,5] ±1°
.XX ±.06 [1,5]
(X.XXX) DENOTES CRITICAL DIMS.
ALL THREADS ARE CRITICAL

BRASSTECH 2001 CARNEGIE AVE.
INCORPORATED SANTA ANA, CA 92705
(949) 417-5207

PIVOTING TISSUE HOLDER

-	-	EN-2846	11/06/15	J.M.
ZONE	REV	DESCRIPTION	DATE	APPROVED

DRAWN	R.S.	11/06/15	DWG NO.	5208	REV	-
CHECKED	J.M.	11/06/15	SCALE	.275	REF.	-
APPROVED	J.M.	11/06/15	SHEET	1	OF	2



BRASSTECH		2001 E. CARNEGIE AVE.
INCORPORATED		SANTA ANA, CA 92705
		(949) 417-5207
DWG NO.	5208	REV -
SCALE .500	REF. -	SHEET 2 OF 2