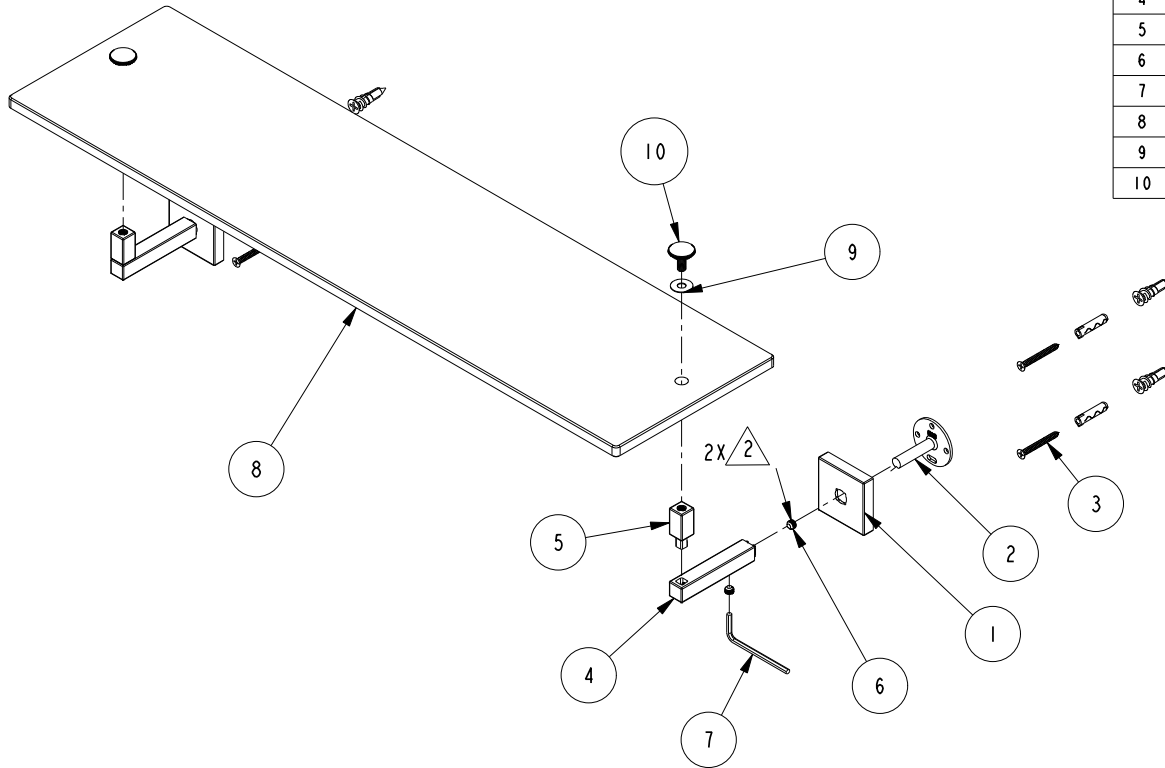


NOTES:

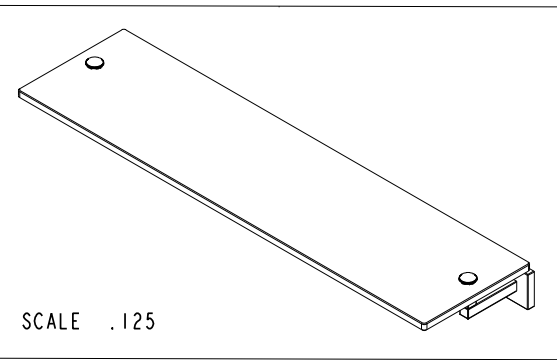
(N1) 1. FIT / FORM / FUNCTION SHALL FOLLOW PS-E.008.

(N2)  $\triangle 2$  APPLY LOCTITE 680.



BILL OF MATERIAL (CURRENT LEVEL)

ITEM	PT/ASSY	DESCRIPTION	TYPE	QTY.
1	40596	ESCUTCHEON	PART	2
2	6XXB	MOUNTING BRACKET	PART	2
3	1-206	HARDWARE PACK	ASSEMBLY	2
4	40607	SHELF POST	PART	2
5	40608	SHELF POST FINIAL	PART	2
6	92563	SCRW, 1/4-28 X 3/16 SKT HD CUP PT SS	PART	4
7	92422	HEX KEY, 1/8" ALLOY STEEL	PART	1
8	4534T-24TSC	SHELF GLASS	PART	1
9	80390	SHELF WASHER	PART	2
10	80389	TOP SCREW	PART	2



TESTING	-	-	-
ASSEMBLY	-	-	-
PLATING	-	-	-
POLISHING	-	NEXT ASSY	USED ON
MACHINING	-	APPLICATION	
TOOLING FIXTURE #	REMOVE ALL BURRS AND SHARP EDGES		

UNITS ARE: INCHES [MM]  
 TOLERANCES ARE:  
 FRACTIONS DECIMALS ANGLES  
 $\pm 1/16"$  .X  $\pm .1$  [2.5]  $\pm 1^\circ$   
 .XX  $\pm .06$  [1.5]  
 (X.XXX) DENOTES CRITICAL DIMS.  
 ALL THREADS ARE CRITICAL

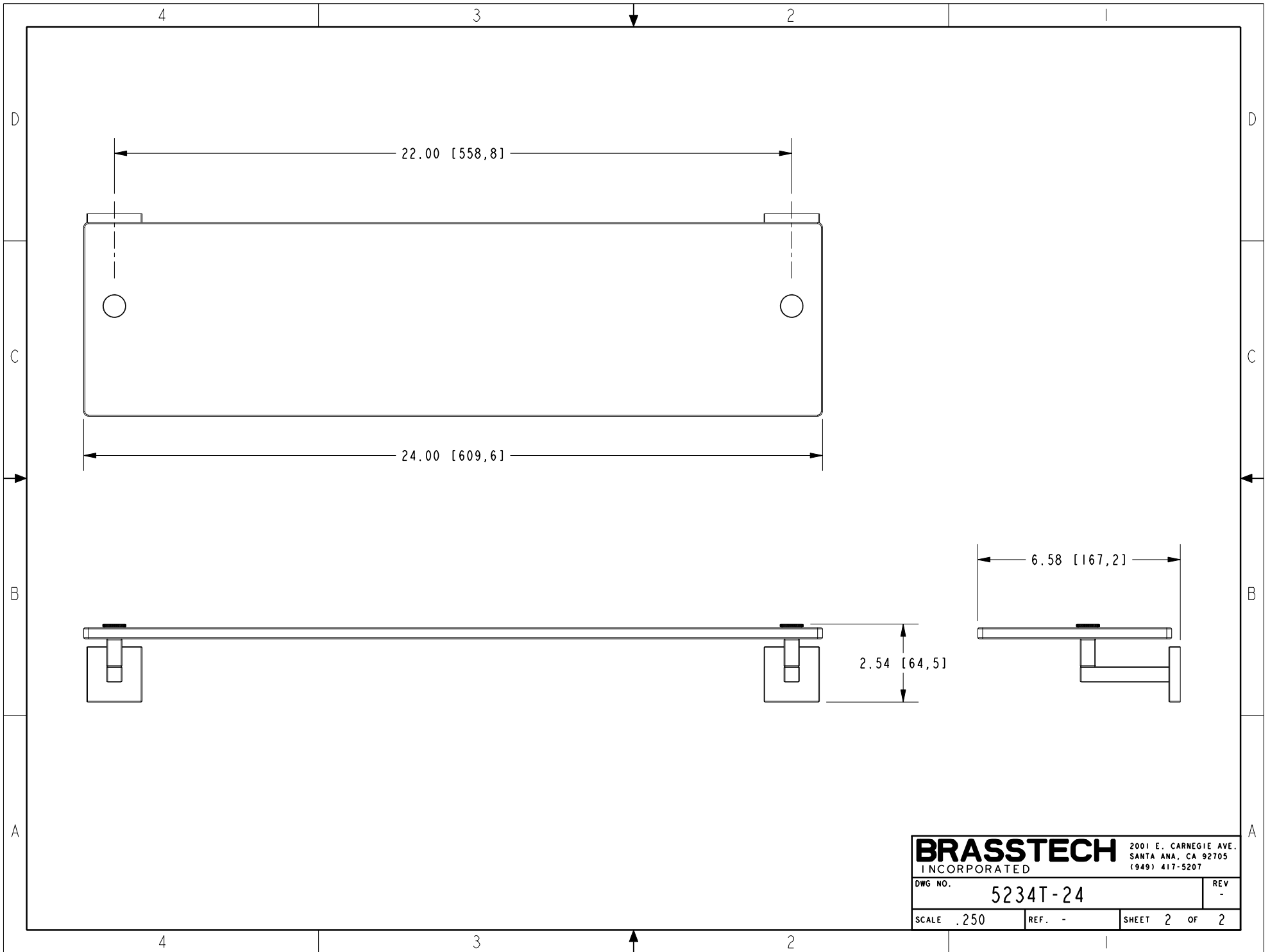
**BRASSTECH** 2001 CARNEGIE AVE.  
 INCORPORATED SANTA ANA, CA 92705  
 (949) 417-5207

24" GLASS SHELF

-	-	EN-2846	11/06/15	J.M.
ZONE	REV	DESCRIPTION	DATE	APPROVED

COPYRIGHT 2005 BRASSTECH, INC.  
 THESE DRAWINGS AND THE DESIGNS  
 DEPICTED HEREIN ARE THE PROPRIETARY  
 PROPERTY OF BRASSTECH. ANY USE  
 OR REPRODUCTION IS SUBJECT TO  
 THE EXPRESS APPROVAL OF BRASSTECH.  
 UNAUTHORIZED USE IS STRICTLY  
 PROHIBITED. ALL RIGHTS RESERVED.

DWG NO.	5234T-24	REV	-
APPROVED	J.M.	11/06/15	
SCALE	.187	REF.	-
SHEET	1	OF	2



<b>BRASSTECH</b>		2001 E. CARNEGIE AVE.
INCORPORATED		SANTA ANA, CA 92705
		(949) 417-5207
DWG NO.	5234T-24	REV -
SCALE .250	REF. -	SHEET 2 OF 2