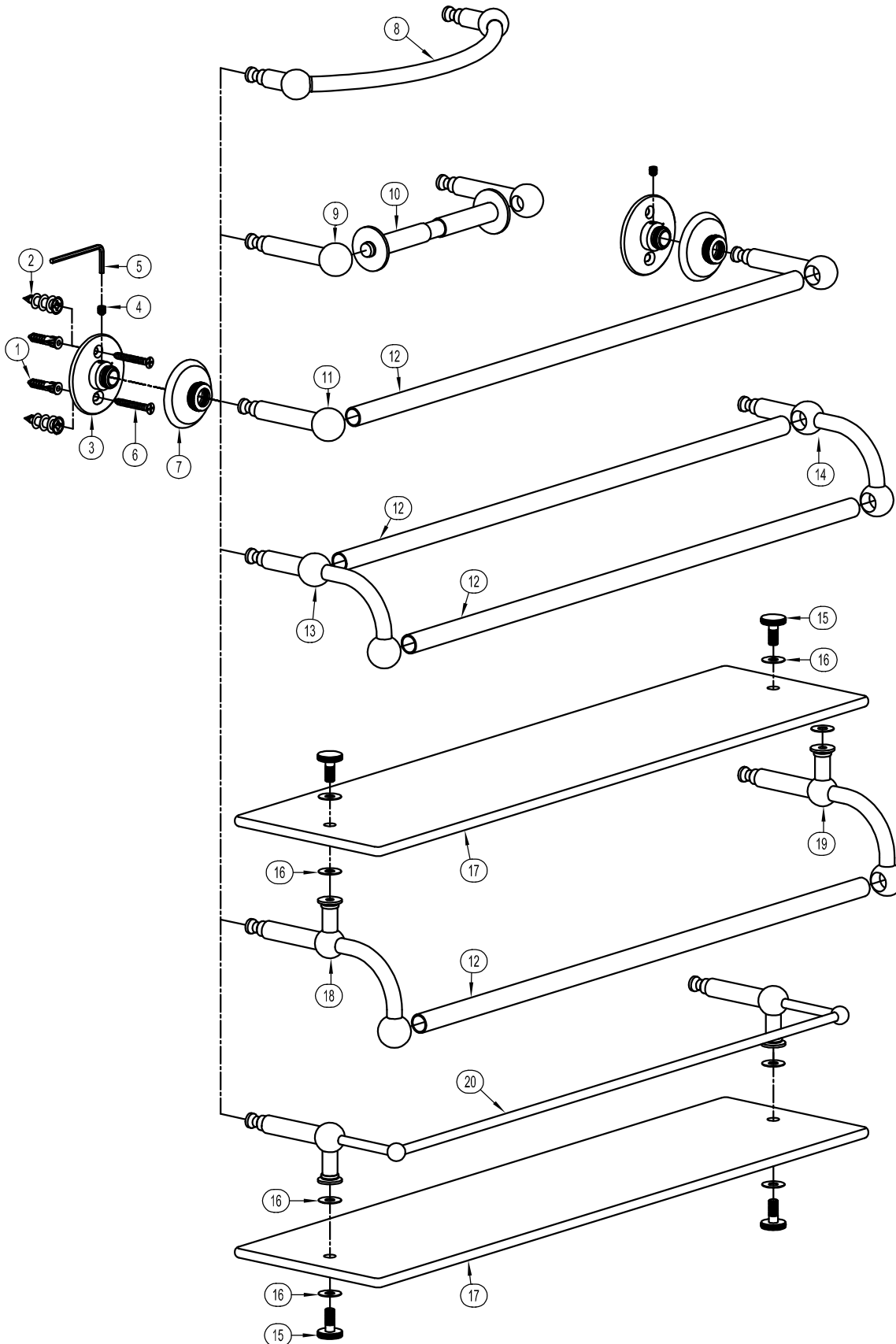


LONDON TERRACE ACCESSORIES



Parts List

| ITEM | PART NAME | PART NO. |
|------|---|----------------------------|
| 1 | No. 8 WALL ANCHOR | CA |
| 2 | DRYWALL ANCHOR | EZMZ |
| 3 | MOUNTING FLANGE | 26XX* |
| 4 | M5 x 5 SET SCREW | SM5-5S |
| 5 | 2 1/2MM HEX KEY | M2.5HK |
| 6 | No. 8 x 1 1/4" TAP SCREW | 8-1.25PFZ |
| 7 | ROSETTE | 2600* |
| 8 | 8" TOWEL BAR ASSEMBLY | 2605A* |
| 9 | TISSUE POST | 2608P* |
| 10 | TISSUE ROLLER ASSEMBLY | 2608T* |
| 11 | TOWEL BAR POST | 2650* |
| 12 | 18" BRASS TUBE 24" BRASS TUBE | 2652* 2653* |
| 13 | DOUBLE TOWEL BAR POST- LEFT | 2622PLA* |
| 14 | DOUBLE TOWEL BAR POST- RIGHT | 2622PRA* |
| 15 | SHELF SCREW | 2635S* |
| 16 | NYLON WASHER | 2635W |
| 17 | 20" SHELF GLASS 26" SHELF GLASS | 2635/20TSCL 2635/26TSCL |
| 18 | LEFT SHELF/ TOWEL BAR POST | 2619/PLA* |
| 19 | RIGHT SHELF/ TOWEL BAR POST | 2619/PRA* |
| 20 | 20" SHELF RAIL ASSEMBLY 26" SHELF/ RAIL ASSEMBLY | 2635/20A* 2635/26A* |

* REQUIRES FINISH CODE BELOW

- 3 POLISHED BRASS
- 14 POLISHED NICKEL
- 15 SATIN NICKEL
- 26 POLISHED CHROME