
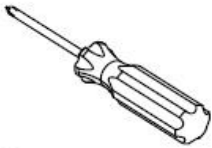



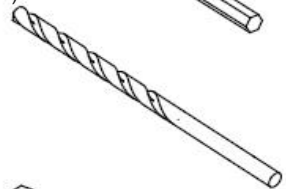

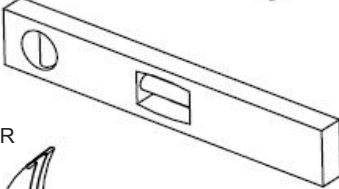

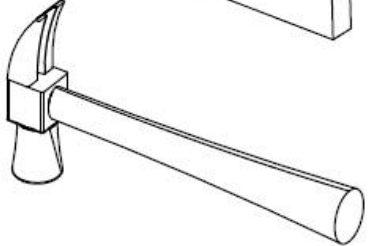




ITEMS INCLUDED		TOOLS REQUIRED	
DRY WALL ANCHOR	 X 2	PHILLIPS SCREW DRIVER	
TILE ANCHOR	 X 2	PEN / PENCIL	
#8 SCREW	 X 2	1/4" (6 mm) DRILL	
MOUNTING BRACKET	 X 1	LEVEL SET	
1/4-28x3/16" SET SCREW	 X 1	HAMMER	
1/8" HEX KEY	 X 1		
SINGLE POST TT HOLDER	 X 1		

LINEAL

INSTALLATION INSTRUCTIONS

5206

SINGLE POST TOILET TISSUE HOLDER

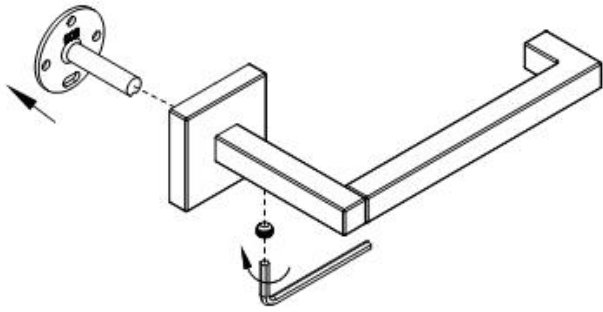
GINGER
Luxury For Your Lifestyle™

2001 CARNEGIE AVE, SANTA ANA CA 92705

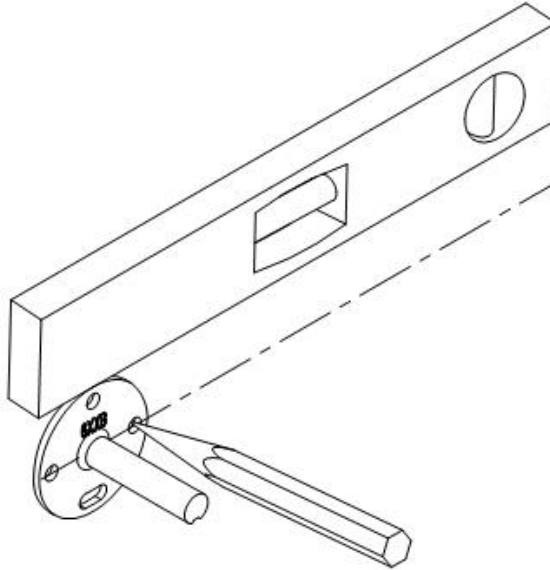
(949) 417-5207

WWW.GINGERCO.COM

① REMOVE MOUNTING BRACKET



② ALIGN MOUNTING BRACKET AND MARK LOCATION

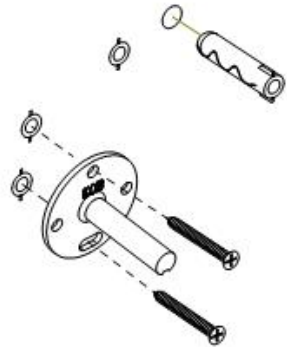
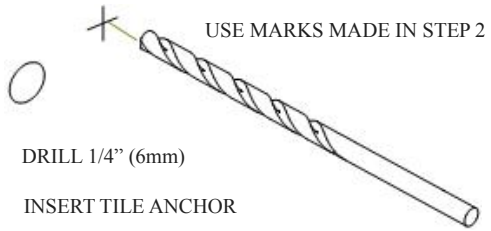


③ DRY WALL INSTALLATION

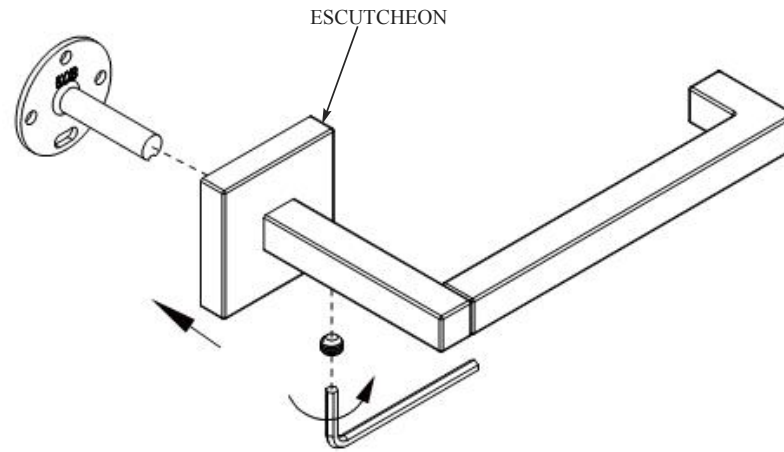
DO NOT DRILL



④ TILE OR SOLID WALL INSTALLATION



⑤ INSTALL PRODUCT ONTO BRACKET



SECURE WITH SET SCREW