
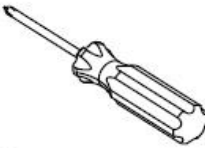



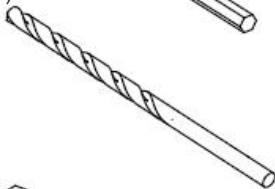

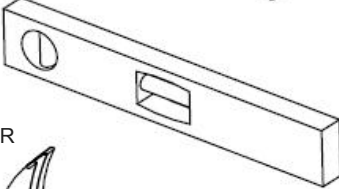

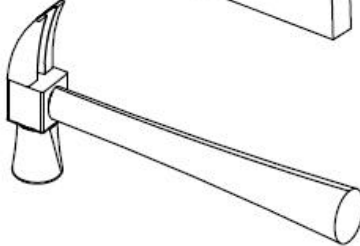




ITEMS INCLUDED		TOOLS REQUIRED	
DRY WALL ANCHOR	 X 4	PHILLIPS SCREW DRIVER	
TILE ANCHOR	 X 4	PEN / PENCIL	
#8 SCREW	 X 4	1/4" (6 mm) DRILL	
MOUNTING BRACKET	 X 2	LEVEL SET	
1/4-28x3/16" SET SCREW	 X 2	HAMMER	
1/8" HEX KEY	 X 1		
TOWEL BAR	 X 1		

LINEAL

INSTALLATION INSTRUCTIONS

5202 / 5203 / 5205

TOWEL BAR

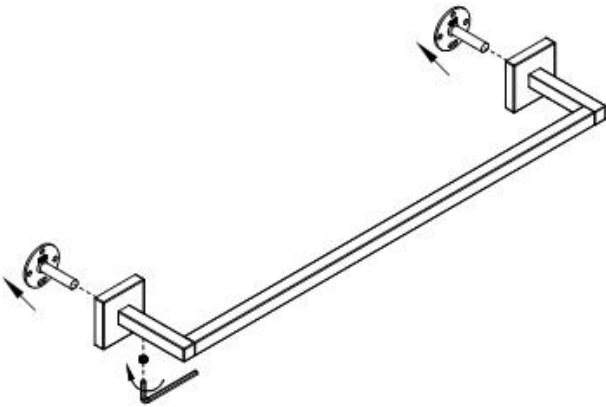
GINGER
Luxury For Your Lifestyle™

2001 CARNEGIE AVE, SANTA ANA CA 92705

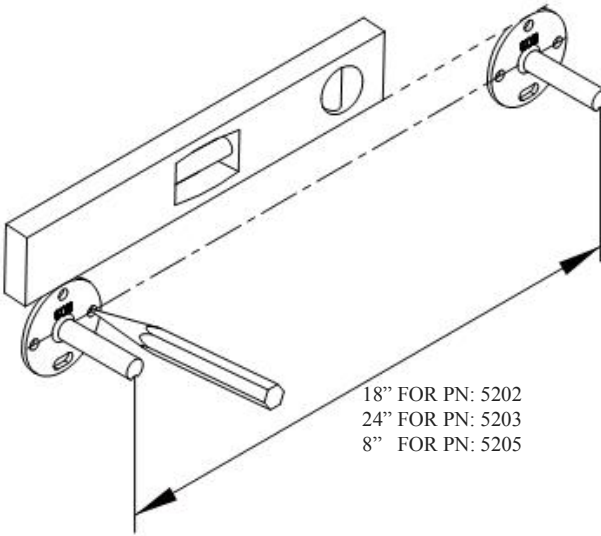
(949) 417-5207

WWW.GINGERCO.COM

① REMOVE MOUNTING BRACKETS



② ALIGN MOUNTING BRACKETS AND MARK LOCATION

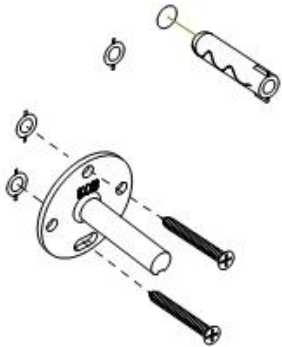
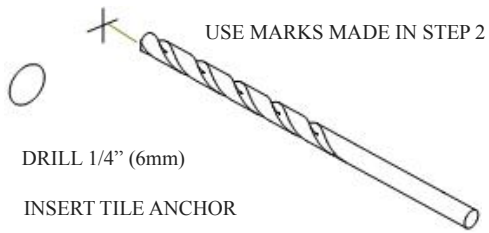


③ DRY WALL INSTALLATION

DO NOT DRILL



④ TILE OR SOLID WALL INSTALLATION



⑤ INSTALL PRODUCT ONTO BRACKETS

