

SURFACE

INSTALLATION INSTRUCTIONS

for
Single
Post
Open
Toilet Tissue Holders

*Complement
your purchase
with these
fine accessories
also from
GINGER®*

*Towel Bars
Towel Rings
Toilet Tissue Holders
Hooks
Soap Dishes
Tumbler Holders
Toiletry Shelves
Grab Bars
Mirrors
Lights
Bud Vases
Hotel Shelves
Shower Curtain Rods
Soap & Bottle Baskets
Cabinet Hardware*

460-N Greenway Industrial Drive
Fort Mill, SC 29708

www.gingerco.com

GINGER®

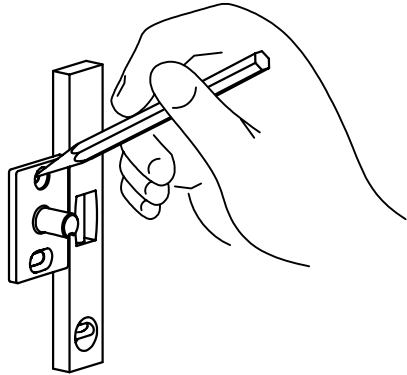


INSTALLATION INSTRUCTIONS

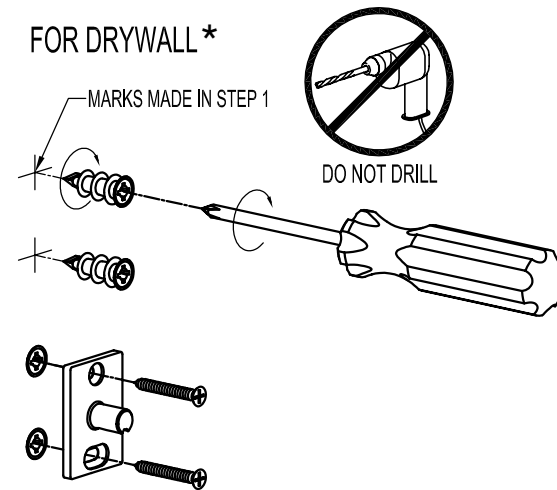
SURFACE

2806L, 2806R, 2809

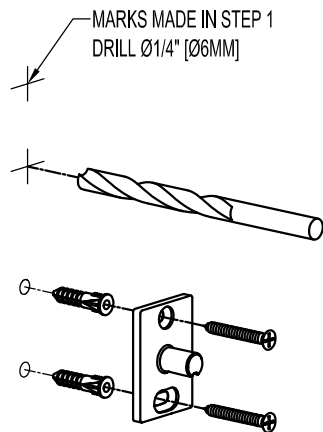
①



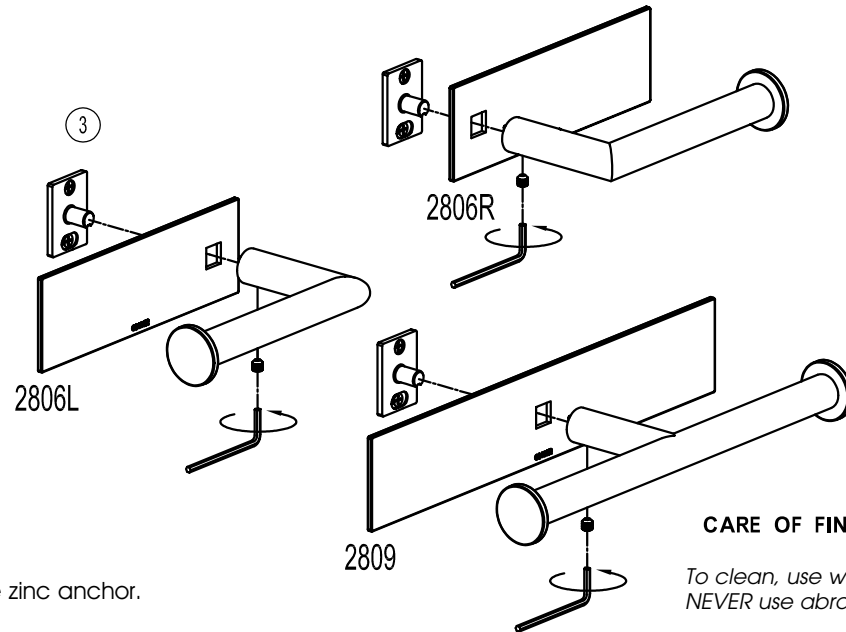
② FOR DRYWALL*



② FOR TILE OR SOLID WALLS



③



* If wood bracing or a stud is present, pre-drill a 1/4" (6mm) diameter hole and install small plastic anchor in place of the zinc anchor.

CARE OF FINE BRASS

To clean, use warm water only.
NEVER use abrasives or detergents.