

*Complement  
your purchase  
with these  
fine accessories  
also from  
GINGER®*

*Towel Bars  
Towel Rings  
Toilet Tissue Holders  
Hooks  
Soap Dishes  
Tumbler Holders  
Toiletry Shelves  
Grab Bars  
Mirrors  
Lights  
Bud Vases  
Hotel Shelves  
Shower Curtain Rods  
Soap & Bottle Baskets  
Cabinet Hardware*

460-N Greenway Industrial Drive  
Fort Mill, SC 29708

[www.gingerco.com](http://www.gingerco.com)

# SURFACE

## INSTALLATION INSTRUCTIONS

for  
Double  
Post  
Towel Bars  
Double Towel Bars  
Towel Ring  
Toilet Tissue Holder

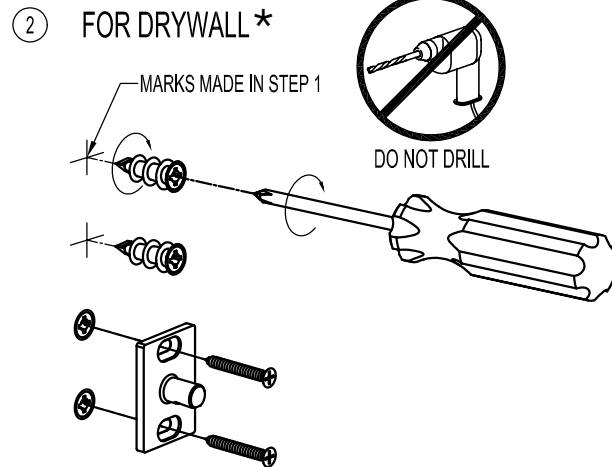
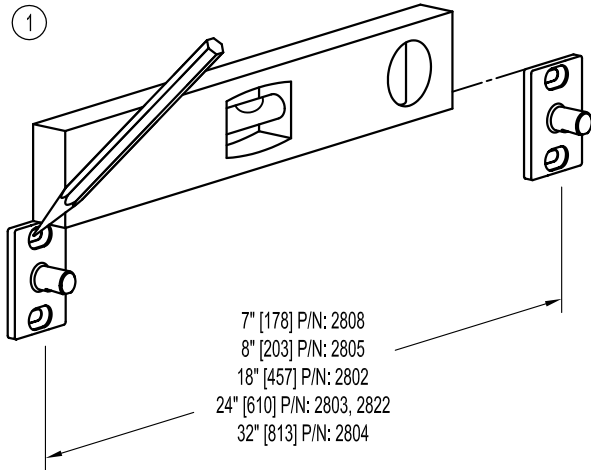
GINGER®



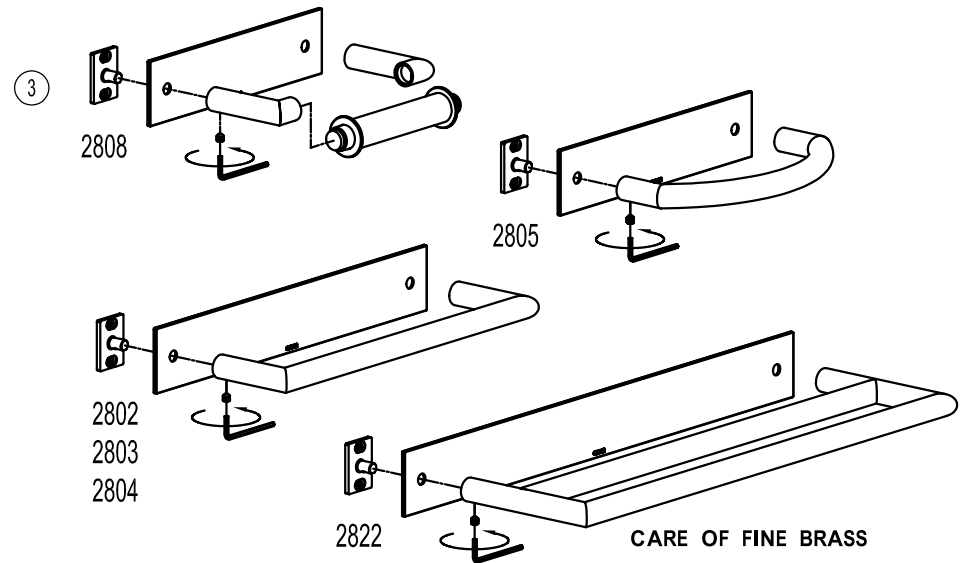
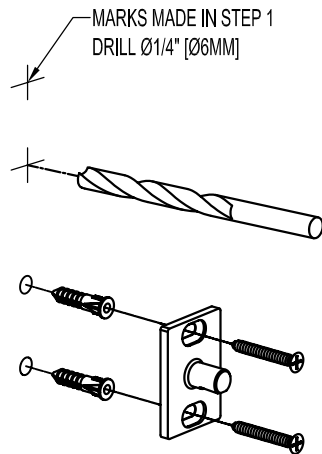
# INSTALLATION INSTRUCTIONS

## SURFACE

2802, 2803, 2804  
2805, 2808, 2822



② FOR TILE OR SOLID WALLS



\*If wood cross bracing or a stud is present, pre-drill a 1/4" (6mm) diameter hole and install plastic anchor in place of the zinc anchor.

To clean, use warm water only.  
NEVER use abrasives or detergents.