

*Complement
your purchase
with these
fine accessories
also from
GINGER®:*

*Towel Bars
Towel Rings
Toilet Tissue Holders
Hooks
Soap Dishes
Tumbler Holders
Toiletry Shelves
Grab Bars
Mirrors
Lights
Bud Vases
Hotel Shelves
Shower Curtain Rods
Soap & Bottle Baskets
Cabinet Hardware*

GRAB BAR

INSTALLATION
INSTRUCTIONS

G U S A

460-N Greenway Industrial Drive
Fort Mill, SC 29708



If your hardware pack does NOT include toggles, use the following instructions:



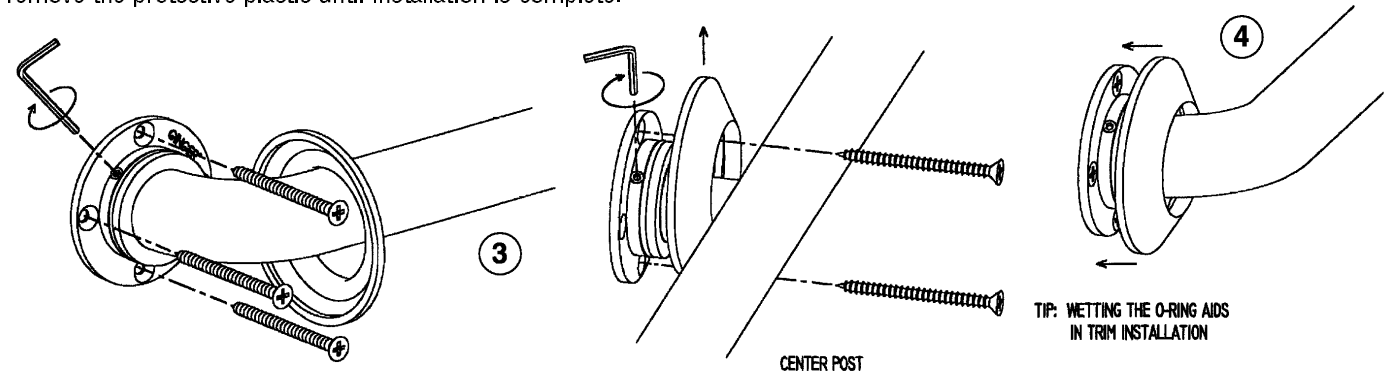
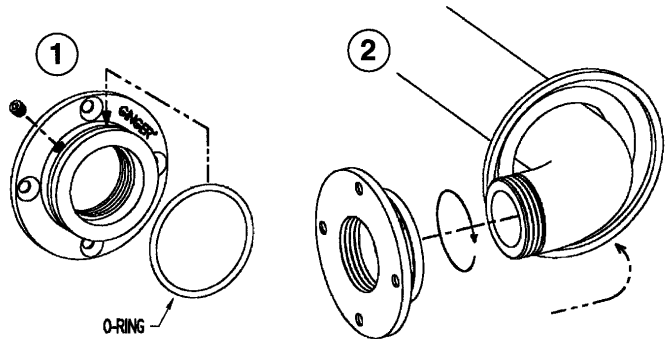
GRAB BAR INSTALLATION INSTRUCTIONS

INSTALLATION NOTES:

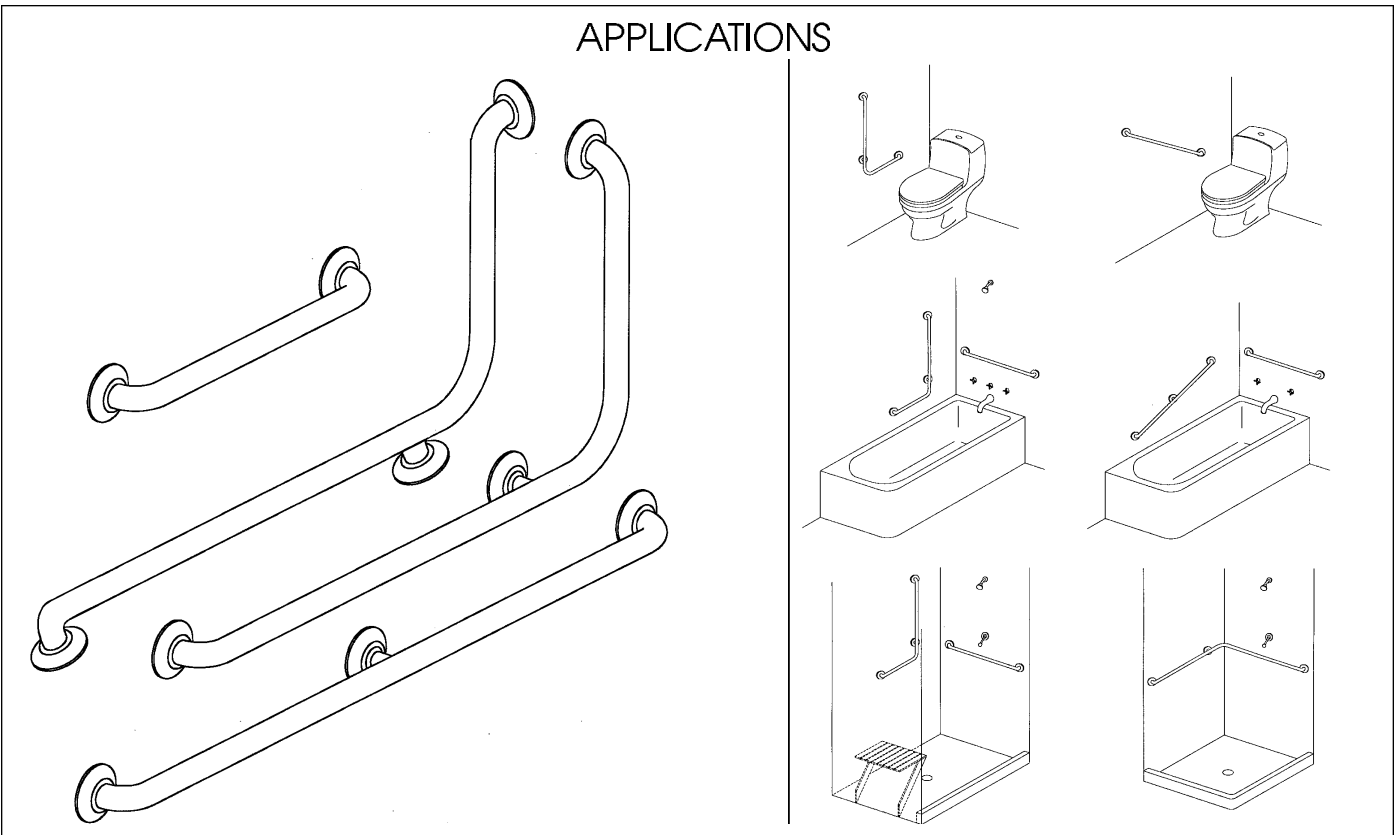
The No. 10 x 2 1/2" stainless steel screws that we provide are for installation into wood. Fasteners for other applications should be provided by the installer. Use flat head fasteners only.

Ginger® Grab Bars have been tested to withstand and exceed loads mandated by the American's with disabilities act and ASTM F446. However, it is the responsibility of the architect, builder and installer to ensure that the mounting area is secure and that proper mounting hardware is used.

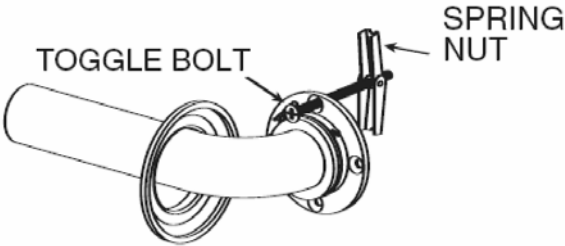
To protect the finish of the grab bar during installation, do not remove the protective plastic until installation is complete.



APPLICATIONS



If your hardware pack includes toggles, use the following instructions:



GINGER

460-N GREENWAY INDUSTRIAL DRIVE
FORT MILL SC 29708

T 803.547.5786
F 803.547.6353
GINGERCO.COM

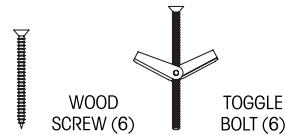
GRAB BAR

INSTALLATION, OPERATING AND CARE INSTRUCTIONS

- SAFETY WARNINGS:**
- **DO NOT** install this equipment without first reading and understanding this instruction sheet. If you are unable to understand these Warnings and Instructions, contact a health care professional, dealer or technical person for assistance before attempting to install this equipment - otherwise, injury may occur.
 - After ANY adjustments, repair or service and BEFORE use, make sure that all attaching hardware is tightened **securely**.
 - Grab Bars add security for bath and commode areas if attached as instructed. Location, size and angle of BARS should be determined by a qualified professional to provide optimum safety and function.
 - Use EXTREME caution on wet tub or floor surfaces.
 - Users with limited physical capabilities should be supervised or assisted in bath and commode areas, even when using Grab Bars.
 - This Grab Bar can provide support and increase stability for an individual weighing up to **300 pounds**.
 - Grab Bars are NOT designed to support the total weight of an individual. **Use the BAR for assistance ONLY.**
 - Be sure Grab Bars are correctly and securely installed. **NEVER** use Grab Bars if any looseness is noted.

- TOOLS REQUIRED:**
- 3/8-inch Power Drill
 - 1/8-inch Drill Bit (to drill pilot hole for installation of WOOD SCREW into wood wall stud)
 - 1/4-inch Carbide Drill Bit (if drilling through ceramic tile when installing into wood wall stud)
 - 5/8-inch Drill Bit (if installing TOGGLE BOLTS)
 - 5/8-inch Carbide Drill Bit (if drilling through tile and installing TOGGLE BOLTS)
 - #2 Phillips Screwdriver
 - Safety Glasses
 - Stud Finder

- PARTS SUPPLIED:**
- Six (6) No. 10 x 2 1/2 inch WOOD SCREWS
 - Six (6) 1/4-20 x 3 inch TOGGLE BOLTS (to be used if only one end of Grab Bar can be installed in a wood wall stud)



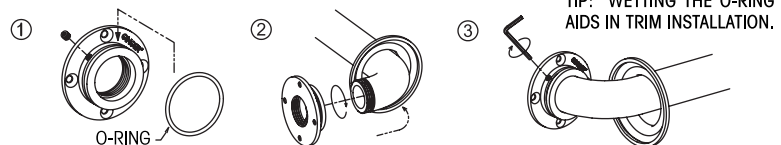
IMPORTANT: In some homes of modern construction, wall studs will be made of metal rather than wood. The GRAB BAR should be mounted in one of the following combinations:

- BOTH ends of GRAB BAR into WOOD wall studs - **PREFERRED and MOST SECURE method for mounting GRAB BAR (see pg. 2)**
- BOTH ends of GRAB BAR into METAL wall studs (see pg. 3)
- ONE end of GRAB BAR into a WOOD wall stud, ONE end into WALLBOARD (see pg. 4)
- ONE end of GRAB BAR into a METAL wall stud, ONE end into WALLBOARD (see pg. 5)
- ONE end of GRAB BAR into a WOOD wall stud, ONE end into a METAL wall stud (see pg. 6)

Ginger Grab Bars have been tested to withstand and exceed loads mandated by the Americans with Disabilities Act and ASTM F466. However, it is the responsibility of the architect, builder and installer to ensure that the mounting area is secure and that proper mounting hardware is used.

IF YOU HAVE A PREASSEMBLED GRAB BAR, OMIT THIS STEP.

TO PROTECT THE FINISH OF THE GRAB BAR DURING INSTALLATION, DO NOT REMOVE THE PROTECTIVE PLASTIC UNTIL INSTALLATION IS COMPLETE.



BEFORE INSTALLING GRAB BAR:

1. Remove the Grab Bar and parts from the package. If concealed mounting Grab Bar is used, move cover plates away from mounting holes (see Figure 1).
2. Determine where you want to install Grab Bar.
3. Place Grab Bar on wall at desired position (with at least one end over a wall stud). If mounting horizontally or vertically, check that the Grab Bar is level.
4. With a pencil, mark the hole positions on one end.
5. Repeat **Step 4** for the other end of the Grab Bar.
6. Place Grab Bar aside.

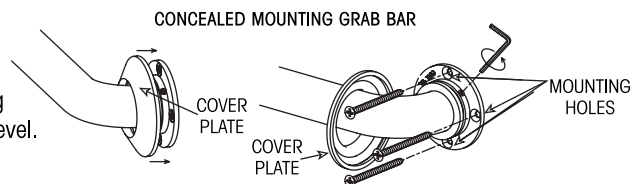


FIGURE 1

BOTH ends of Grab Bar into WOOD wall studs

⚠ WARNING

GRAB BAR MAY NOT PROVIDE DESIGNED AMOUNT OF SUPPORT UNLESS THESE INSTALLATION INSTRUCTIONS ARE STRICTLY FOLLOWED.

For proper installation, at least one end of Grab Bar **MUST** be positioned over a wall stud. For solid support, at least two (2) of the three (3) **SCREWS** on the end of the Grab Bar that is positioned over a stud **MUST** go through the wallboard or tile and be tightly secured into the wall stud. Given standard stud sizes, only two (2) of the three (3) **SCREWS** may screw into the wall stud. **Grab Bar may be installed vertically, horizontally or at an angle, so long as at least two (2) of the three (3) mounting screws on at least one end of the Grab Bar are secured into a wall stud (see Figure 2).** Locate the wall studs behind the wall before beginning installation (a stud finder can be obtained from a hardware store).

NOTE: If you are unable to install BOTH ends of the Grab Bar into studs, the end not installed into a stud **MUST** be installed using the **TOGGLE BOLTS** supplied. **DO NOT USE WALL ANCHORS!**

⚠ WARNING

THE FOLLOWING STEPS REQUIRE DRILLING INTO THE WALL.

When drilling into the wall, exercise care to avoid any electrical wiring or plumbing that may be located behind the wall. Damaged electrical wiring can cause electrical shock and/or fire. Since older homes do not always fall in line with current housing codes and requirements, know where internal wall wiring is located so that no wires will interfere with your installation.

PROPER INSTALLATION IS EXTREMELY IMPORTANT. IF IN DOUBT, INSTALLATION SHOULD BE DONE BY A QUALIFIED PROFESSIONAL.

TO INSTALL INTO WOOD WALL STUDS:

1. Put on safety glasses before starting.
2. Use the 3/8-inch power drill and 1/8-inch drill bit to drill all holes into the wall and wood wall studs at the marked positions. **Note:** *If installing Grab Bar over ceramic tiles, the 1/4-inch carbide drill bit will be needed for drilling through tile to prevent damage to tiles. Once a hole has been drilled through the tile, use the 1/8-inch drill bit to drill a pilot hole in the wood wall stud itself.*
3. Place Grab Bar on wall, aligning mounting holes with the holes in the wall.
4. Insert the **WOOD SCREWS** into one end of the Grab Bar. Screw into wall and wall stud (**HAND TIGHTEN ONLY**) (see Figure 3).
5. Repeat **Step 4** for opposite end of the Grab Bar.
6. **Securely** tighten all mounting **WOOD SCREWS** with a screwdriver.
7. If concealed mounting Grab Bar is used, move cover plates over mounting holes and firmly press against the wall (see Figure 1 on page 2).

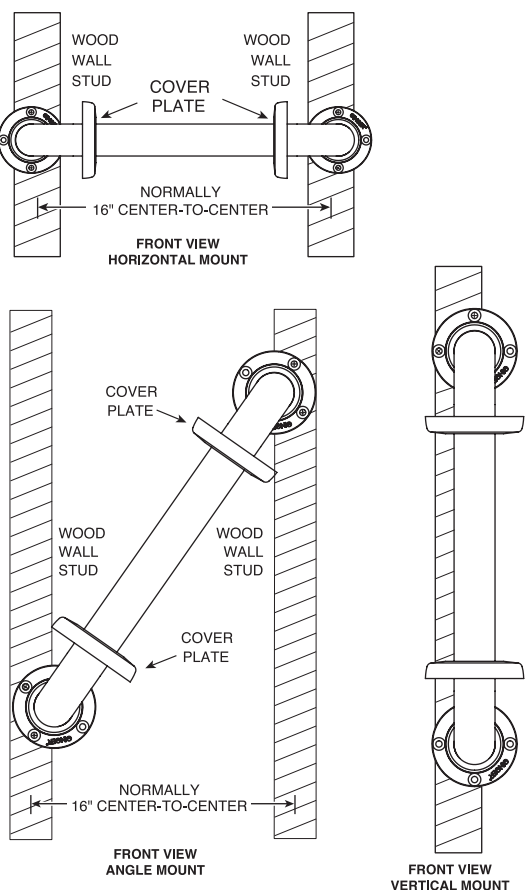


FIGURE 2

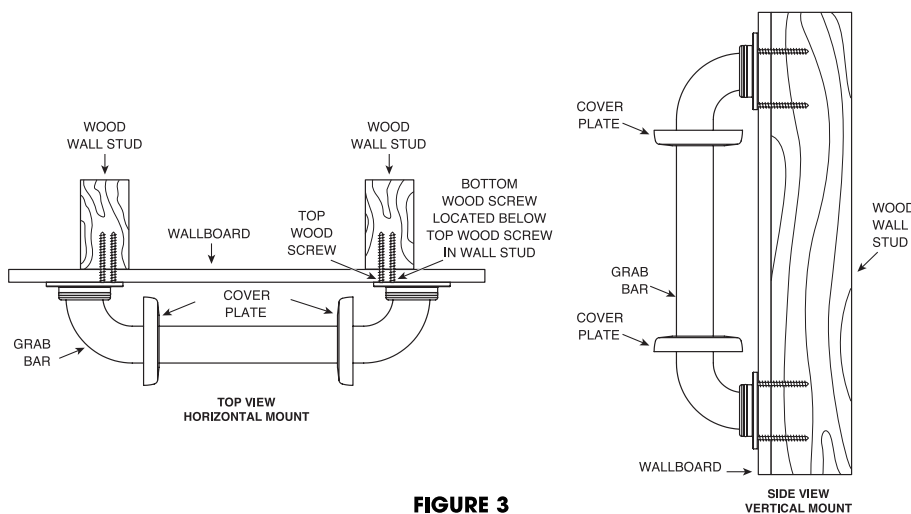


FIGURE 3

USING GRAB BAR:

1. Read, understand and follow the information in the **SAFETY WARNINGS** section of this instruction booklet. GINGER shall have no liability for any damage or injury caused by improper installation or use of this Grab Bar.
2. Grasp the Grab Bar when exiting or entering the bathtub or when sitting down or rising from the commode.
3. Use **EXTREME** caution on wet tub or floor surfaces.
4. **DO NOT** put entire weight on Grab Bar. Grab Bar can support up to **300 pounds ONLY**.
5. **DO NOT** stand, sit or step on Grab Bar. **DO NOT** use Grab Bar as a step or platform to reach area above the tub. **Use the BAR for assistance ONLY.**

CARE AND MAINTENANCE:

1. To clean, use warm water only with a soft cloth. **NEVER** use abrasive detergents.
2. Periodically inspect the Grab Bar for damage or looseness. **DO NOT** use if any damage or looseness exists. Contact your authorized dealer for assistance.
3. **SAVE THESE INSTRUCTIONS FOR FUTURE REFERENCE.**

BOTH ends of Grab Bar into METAL wall studs

! WARNING

GRAB BAR MAY NOT PROVIDE DESIGNED AMOUNT OF SUPPORT UNLESS THESE INSTALLATION INSTRUCTIONS ARE STRICTLY FOLLOWED.

For proper installation, at least one end of Grab Bar **MUST** be positioned over a wall stud. For solid support, at least two (2) of the three (3) **SCREWS** on the end of the Grab Bar that is positioned over a stud **MUST** go through the wallboard or tile and be tightly secured into the wall stud. Given standard stud sizes, only two (2) of the three (3) **SCREWS** may screw into the wall stud.

Grab Bar may be installed vertically, horizontally or at an angle, so long as at least two (2) of the three (3) mounting SCREWS on at least one end of the Grab Bar are secured into a wall stud (see Figure 2).

Locate the wall studs behind the wall before beginning installation (a stud finder can be obtained from a hardware store).

NOTE: If you are unable to install BOTH ends of the Grab Bar into a stud, the end not installed into a stud **MUST** be installed using the **TOGGLE BOLTS** supplied.

DO NOT USE WALL ANCHORS!

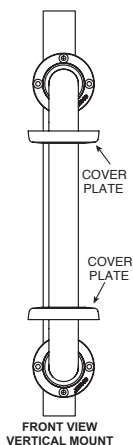
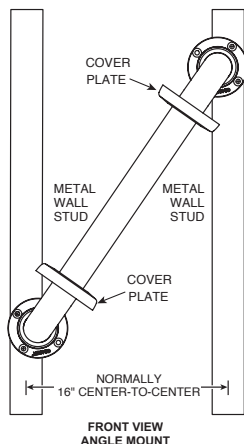
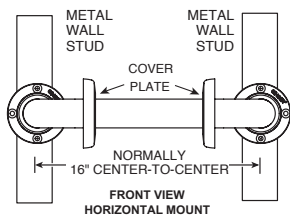


FIGURE 2

! WARNING

THE FOLLOWING STEPS REQUIRE DRILLING INTO THE WALL.

When drilling into the wall, exercise care to avoid any electrical wiring or plumbing that may be located behind the wall. Damaged electrical wiring can cause electrical shock and/or fire. Since older homes do not always fall in line with current housing codes and requirements, know where internal wall wiring is located so that no wires will interfere with your installation.

PROPER INSTALLATION IS EXTREMELY IMPORTANT. IF IN DOUBT, INSTALLATION SHOULD BE DONE BY A QUALIFIED PROFESSIONAL.

TO INSTALL INTO METAL WALL STUDS:

1. Put on safety glasses before starting.
2. Use the 3/8-inch power drill and 5/8-inch drill bit to drill six (6) holes where marked. **NOTE:** *If installing Grab Bar over ceramic tiles, the 5/8-inch carbide drill bit will be needed for drilling through the tile, in order to prevent damage to tiles. Once a hole has been drilled through the tile, use the 5/8-inch drill bit to drill through the backing support for the tile.*
3. Insert one (1) **TOGGLE BOLT** through any one of the mounting holes on one end of the Grab Bar. Start a spring nut on the end of the **TOGGLE BOLT** as shown (see **Figure 3**), screwing it onto the bolt about three turns. Repeat this step for two (2) **TOGGLE BOLTS** on that same end of the Grab Bar.

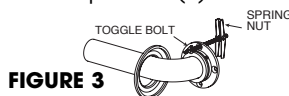


FIGURE 3

4. Position the end of the Grab Bar with the **TOGGLE BOLTS** attached so that you can push the spring nuts and butt ends of the **TOGGLE BOLTS** through the corresponding holes that have been drilled. The spring nuts *must be completely* through the holes in the wall (see **Figure 4**).
5. Repeat **Steps 3 and 4** for the other end of the Grab Bar.
6. Pull the **TOGGLE BOLTS** on one end of the Grab Bar toward you and finger tighten the **BOLTS** to be sure that spring nuts have opened fully against the back side of the wall and metal wall studs (see **Figure 4**). If the spring nuts have not opened fully, loosen the bolts and repeat **Step 6**.
7. Repeat **Step 6** for the other end of the Grab Bar.
8. Lightly tighten the **TOGGLE BOLTS**. Further tightening will be required in **Step 10**.
9. If Grab Bar is to be installed horizontally, make sure Grab Bar is level (you may need to jostle the **TOGGLE BOLTS** on one end or the other to level the bar).
10. **Securely** tighten all **TOGGLE BOLTS** with a screwdriver.
11. If concealed mounting Grab Bar is used, move cover plates over mounting holes and firmly press against the wall (see **Figure 1** on page 2).

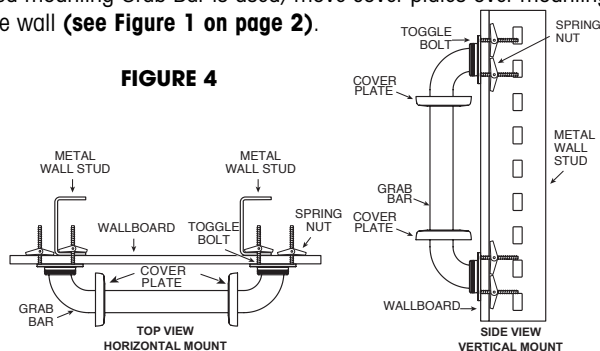


FIGURE 4

USING GRAB BAR:

1. *Read, understand and follow the information in the SAFETY WARNINGS section of this instruction booklet.* GINGER shall have no liability for any damage or injury caused by improper installation or use of this Grab Bar.
2. Grasp the Grab Bar when exiting or entering the bathtub or when sitting down or rising from the commode.
3. Use **EXTREME** caution on wet tub or floor surfaces.
4. **DO NOT** put entire weight on Grab Bar. Grab Bar can support up to **300 pounds ONLY**.
5. **DO NOT** stand, sit or step on Grab Bar. **DO NOT** use Grab Bar as a step or platform to reach area above the tub. **Use the BAR for assistance ONLY.**

CARE AND MAINTENANCE:

1. To clean, use warm water only with a soft cloth. **NEVER** use abrasive detergents.
2. Periodically inspect the Grab Bar for damage or looseness. **DO NOT** use if any damage or looseness exists. Contact your authorized dealer for assistance.
3. **SAVE THESE INSTRUCTIONS FOR FUTURE REFERENCE.**

ONE end of Grab Bar into a WOOD wall stud, ONE end into WALLBOARD

! WARNING

GRAB BAR MAY NOT PROVIDE DESIGNED AMOUNT OF SUPPORT UNLESS THESE INSTALLATION INSTRUCTIONS ARE STRICTLY FOLLOWED.

For proper installation, at least one end of Grab Bar **MUST** be positioned over a wall stud. For solid support, at least two (2) of the three (3) **SCREWS** on the end of the Grab Bar that is positioned over a stud **MUST** go through the wallboard or tile and be tightly secured into the wall stud. Given standard stud sizes, only two (2) of the three (3) **SCREWS** may screw into the wall stud.

Grab Bar may be installed vertically, horizontally or at an angle, so long as at least two (2) of the three (3) mounting SCREWS on at least one end of the Grab Bar are secured into a wall stud (see Figure 2). Locate the wall studs behind the wall before beginning installation (a stud finder can be obtained from a hardware store).

NOTE: If you are unable to install BOTH ends of the Grab Bar into a stud, the end not installed into a stud **MUST** be installed using the **TOGGLE BOLTS** supplied. **DO NOT USE WALL ANCHORS!**

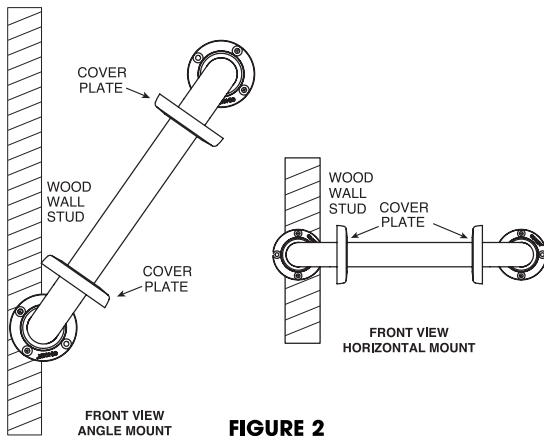


FIGURE 2

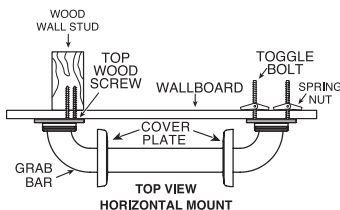


FIGURE 4

! WARNING

THE FOLLOWING STEPS REQUIRE DRILLING INTO THE WALL.

When drilling into the wall, exercise care to avoid any electrical wiring or plumbing that may be located behind the wall. Damaged electrical wiring can cause electrical shock and/or fire. Since older homes do not always fall in line with current housing codes and requirements, know where internal wall wiring is located so that no wires will interfere with your installation.

PROPER INSTALLATION IS EXTREMELY IMPORTANT. IF IN DOUBT, INSTALLATION SHOULD BE DONE BY A QUALIFIED PROFESSIONAL.

TO INSTALL INTO A WOOD WALL STUD AND WALLBOARD:

1. Put on safety glasses before starting.
2. First start on the end of Grab Bar that will be installed into a **wood wall stud**. Use the 3/8-inch power drill and 1/8-inch drill bit to drill all holes on the wood wall stud end into the wall and wood wall stud at the marked positions. **NOTE:** If installing Grab Bar over ceramic tiles, the 5/8-inch carbide drill bit will be needed for drilling through tile, in order to prevent damage to tiles. Once a hole has been drilled through the tile, use the 1/8-inch drill bit to drill a pilot hole into the wood wall stud itself.
3. On the end that will be mounted into **wallboard**, use the 3/8-inch power drill and 5/8-inch drill bit to drill three (3) holes where marked. **NOTE:** If installing Grab Bar over ceramic tiles, the 5/8-inch carbide drill bit will be needed for drilling through tile, in order to prevent damage to tiles. Once a hole has been drilled through the tile, use the 5/8-inch drill bit to drill through the backing support for the tile.
4. Place Grab Bar on wall aligning mounting holes with the holes in the wall.
5. Insert one (1) **WOOD SCREW** into the end of the Grab Bar that will be installed into the wood wall stud. Screw into wall and wall stud (**HAND TIGHTEN ONLY**) (see Figure 4).
6. On the other end of the Grab Bar, insert one (1) of the three (3) toggle bolts supplied through any one of the mounting holes in the Grab Bar. Start a spring nut on the end of the **TOGGLE BOLT** as shown (see Figure 3), screwing it onto the bolt about three turns. Repeat this step for the remaining two (2) **TOGGLE BOLTS**.

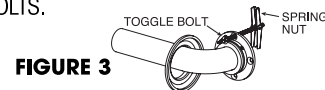


FIGURE 3

7. Position the end of the Grab Bar with the **TOGGLE BOLTS** attached so that you can push the spring nuts and butt ends of the **TOGGLE BOLTS** through the holes that have been drilled. The spring nuts *must be completely* through the holes in the wall (see Figure 4).
8. Pull the **TOGGLE BOLTS** toward you and finger tighten the bolts to be sure that spring nuts have opened fully against the back side of the wall (see Figure 4). If the spring nuts have not opened fully, loosen the **BOLTS** and repeat **Step 8**.
9. Lightly tighten the **TOGGLE BOLTS**. Further tightening will be required in **Step 12**.
10. Repeat **Step 5** for the remaining two (2) **WOOD SCREWS** going into the wood wall stud.
11. If Grab Bar is to be installed horizontally, make sure Grab Bar is level (you may need to jostle the **TOGGLE BOLT** side to level the bar).
12. **Securely** tighten all mounting **WOOD SCREWS** and toggle bolts with a screwdriver.
13. If concealed mounting Grab Bar is used, move cover plates over mounting holes and firmly press against the wall (see Figure 1 on page 2).

USING GRAB BAR:

1. Read, understand and follow the information in the **SAFETY WARNINGS** section of this instruction booklet. GINGER shall have no liability for any damage or injury caused by improper installation or use of this Grab Bar.
2. Grasp the Grab Bar when exiting or entering the bathtub or when sitting down or rising from the commode.
3. Use **EXTREME** caution on wet tub or floor surfaces.
4. **DO NOT** put entire weight on Grab Bar. Grab Bar can support up to **300 pounds ONLY**.
5. **DO NOT** stand, sit or step on Grab Bar. **DO NOT** use Grab Bar as a step or platform to reach area above the tub. **Use the BAR for assistance ONLY.**

CARE AND MAINTENANCE:

1. To clean, use warm water only with a soft cloth. **NEVER** use abrasive detergents.
2. Periodically inspect the Grab Bar for damage or looseness. **DO NOT** use if any damage or looseness exists. Contact your authorized dealer for assistance.
3. **SAVE THESE INSTRUCTIONS FOR FUTURE REFERENCE.**

ONE end of Grab Bar into a METAL wall stud, ONE end into WALLBOARD

! WARNING

GRAB BAR MAY NOT PROVIDE DESIGNED AMOUNT OF SUPPORT UNLESS THESE INSTALLATION INSTRUCTIONS ARE STRICTLY FOLLOWED.

For proper installation, at least one end of Grab Bar **MUST** be positioned over a wall stud. For solid support, at least two (2) of the three (3) **SCREWS** on the end of the Grab Bar that is positioned over a stud **MUST** go through the wallboard or tile and be tightly secured into the wall stud. Given standard stud sizes, only two (2) of the three (3) **SCREWS** may screw into the wall stud.

Grab Bar may be installed vertically, horizontally or at an angle, so long as at least two (2) of the three (3) mounting screws on at least one end of the Grab Bar are secured into a wall stud (see Figure 2). Locate the wall studs behind the wall before beginning installation (a stud finder can be obtained from a hardware store).

NOTE: If you are unable to install **BOTH** ends of the Grab Bar into a stud, the end not installed into a stud **MUST** be installed using the **TOGGLE BOLTS** supplied. **DO NOT USE WALL ANCHORS!**

! WARNING

THE FOLLOWING STEPS REQUIRE DRILLING INTO THE WALL.

When drilling into the wall, exercise care to avoid any electrical wiring or plumbing that may be located behind the wall. Damaged electrical wiring can cause electrical shock and/or fire. Since older homes do not always fall in line with current housing codes and requirements, know where internal wall wiring is located so that no wires will interfere with your installation.

PROPER INSTALLATION IS EXTREMELY IMPORTANT. IF IN DOUBT, INSTALLATION SHOULD BE DONE BY A QUALIFIED PROFESSIONAL.

TO INSTALL INTO METAL WALL STUDS AND WALLBOARD:

1. Put on safety glasses before starting.
2. Use the 3/8-inch power drill and 5/8-inch drill bit to drill six (6) holes where marked. **NOTE:** If installing Grab Bar over ceramic tiles, the 5/8-inch carbide drill bit will be needed for drilling through tile, in order to prevent damage to tiles. Once a hole has been drilled through the tile, use the 5/8-inch drill bit to drill through the backing support for the tile.
3. Insert one (1) **TOGGLE BOLT** through any one of the mounting holes on one end of the Grab Bar. Start a spring nut on the end of the **TOGGLE BOLT** as shown (see **Figure 3**), screwing it onto the bolt about three turns. Repeat this step for the remaining two (2) **TOGGLE BOLTS** on that same end of the Grab Bar.
4. Position the end of the Grab Bar with the **TOGGLE BOLTS** attached so that you can push the spring nuts and butt ends of the **TOGGLE BOLTS** through the corresponding holes that have been drilled. The spring nuts *must be completely* through the holes in the wall (see **Figure 4**).

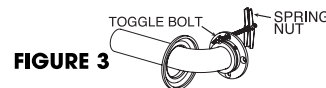


FIGURE 3

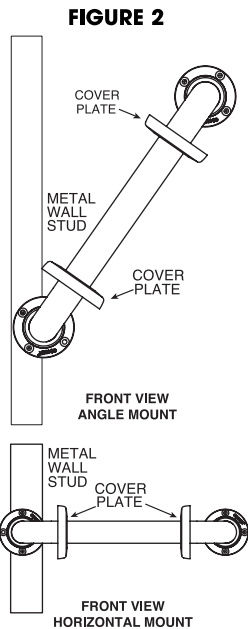


FIGURE 2

5. Repeat **Steps 3 and 4** for the other end of the Grab Bar.
6. Pull the **TOGGLE BOLTS** on one end of the Grab Bar toward you and finger tighten the bolts to be sure that spring nuts have opened fully against the back side of the wall and metal wall studs (see **Figure 4**). If the spring nuts have not opened fully, loosen the bolts and repeat **Step 6**.
7. Repeat **Step 6** for the other end of the Grab Bar.
8. Lightly tighten the **TOGGLE BOLTS**. Further tightening will be required in **Step 10**.
9. If Grab Bar is to be installed horizontally, make sure Grab Bar is level (you may need to jostle the **TOGGLE BOLTS** on one end or the other to level the bar).
10. **Securely** tighten all **TOGGLE BOLTS** with a screwdriver.
11. If concealed mounting Grab Bar is used, move cover plates over mounting holes and firmly press against the wall (see **Figure 1 on page 2**).

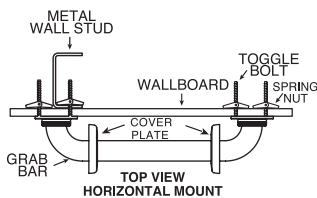


FIGURE 4

USING GRAB BAR:

1. Read, understand and follow the information in the **SAFETY WARNINGS** section of this instruction booklet. GINGER shall have no liability for any damage or injury caused by improper installation or use of this Grab Bar.
2. Grasp the Grab Bar when exiting or entering the bathtub or when sitting down or rising from the commode.
3. Use **EXTREME** caution on wet tub or floor surfaces.
4. **DO NOT** put entire weight on Grab Bar. Grab Bar can support up to **300 pounds ONLY**.
5. **DO NOT** stand, sit or step on Grab Bar. **DO NOT** use Grab Bar as a step or platform to reach area above the tub. **Use the BAR for assistance ONLY.**

CARE AND MAINTENANCE:

1. To clean, use warm water only with a soft cloth. **NEVER** use abrasive detergents.
2. Periodically inspect the Grab Bar for damage or looseness. **DO NOT** use if any damage or looseness exists. Contact your authorized dealer for assistance.
3. **SAVE THESE INSTRUCTIONS FOR FUTURE REFERENCE.**

ONE end of Grab Bar into a WOOD wall stud, ONE end into METAL wall stud

! WARNING

GRAB BAR MAY NOT PROVIDE DESIGNED AMOUNT OF SUPPORT UNLESS THESE INSTALLATION INSTRUCTIONS ARE STRICTLY FOLLOWED.

For proper installation, at least one end of Grab Bar **MUST** be positioned over a wall stud. For solid support, at least two (2) of the three (3) **SCREWS** on the end of the Grab Bar that is positioned over a stud **MUST** go through the wallboard or tile and be tightly secured into the wall stud. Given standard stud sizes, only two (2) of the three (3) **SCREWS** may screw into the wall stud. **Grab Bar may be installed vertically, horizontally or at an angle, so long as at least two (2) of the three (3) mounting screws on at least one end of the Grab Bar are secured into a wall stud (see Figure 2).** Locate the wall studs behind the wall before beginning installation (a stud finder can be obtained from a hardware store).

NOTE: If you are unable to install **BOTH** ends of the Grab Bar into a stud, the end not installed into a stud **MUST** be installed using the **TOGGLE BOLTS** supplied. **DO NOT USE WALL ANCHORS!**

FIGURE 2

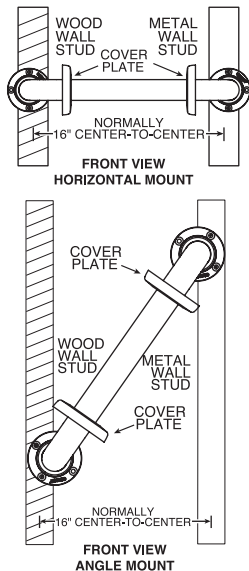
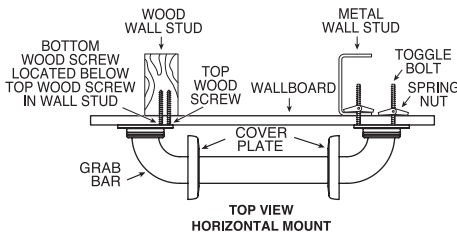


FIGURE 4



! WARNING

THE FOLLOWING STEPS REQUIRE DRILLING INTO THE WALL.

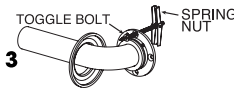
When drilling into the wall, exercise care to avoid any electrical wiring or plumbing that may be located behind the wall. Damaged electrical wiring can cause electrical shock and/or fire. Since older homes do not always fall in line with current housing codes and requirements, know where internal wall wiring is located so that no wires will interfere with your installation.

PROPER INSTALLATION IS EXTREMELY IMPORTANT. IF IN DOUBT, INSTALLATION SHOULD BE DONE BY A QUALIFIED PROFESSIONAL.

TO INSTALL INTO A WOOD WALL STUD AND METAL WALL STUD:

1. Put on safety glasses before starting.
2. First start on the end of Grab Bar that will be installed into a **wood wall stud**. Use the 3/8-inch power drill and 1/8-inch drill bit to drill all holes on the wood wall stud end into the wall and wood wall stud at the marked positions. **NOTE:** If installing Grab Bar over ceramic tiles, the 1/4-inch carbide drill bit will be needed for drilling through tile, in order to prevent damage to tiles. Once a hole has been drilled through the tile, use the 1/8-inch drill bit to drill a pilot hole into the wood wall stud itself.
3. On the end that will be installed into **metal wall stud**, use the 3/8-inch power drill and 5/8-inch drill bit to drill three (3) holes where marked. **NOTE:** If installing Grab Bar over ceramic tiles, the 7/8-inch carbide drill bit will be needed for drilling through tile, in order to prevent damage to tiles. Once a hole has been drilled through the tile, use the 5/8-inch drill bit to drill through the backing support for the tile.
4. Place Grab Bar on wall aligning mounting holes with the holes in the wall.
5. Insert one (1) **WOOD SCREW** into the end of the Grab Bar that will be installed into the wood wall stud. Screw into wall and wall stud (**HAND TIGHTEN ONLY**) (see Figure 4).
6. On the other end of the Grab Bar, insert one (1) of the three (3) **TOGGLE BOLTS** supplied through any one of the mounting holes in the Grab Bar. Start a spring nut on the end of the **TOGGLE BOLT** as shown (see Figure 3), screwing it onto the bolt about three turns. Repeat this step for the remaining two (2) **TOGGLE BOLTS**.
7. Position the end of the Grab Bar with the **TOGGLE BOLTS** attached so that you can push the spring nuts and butt ends of the **TOGGLE BOLTS** through the holes that have been drilled. The spring nuts must be completely through the holes in the wall (see Figure 4).
8. Pull the **TOGGLE BOLTS** toward you and finger tighten the **BOLTS** to be sure that spring nuts have opened fully against the back side of the wall and metal wall stud (see Figure 4). If the spring nuts have not opened fully, loosen the bolts and repeat **Step 8**.
9. Lightly tighten the **TOGGLE BOLTS**. Further tightening will be required in **Step 12**.
10. Repeat **Step 5** for the remaining two (2) **WOOD SCREWS** going into the wood wall stud.
11. If Grab Bar is to be installed horizontally, make sure Grab Bar is level (you may need to jostle the **TOGGLE BOLT** end to level the bar).
12. **Securely** tighten all mounting **WOOD SCREWS** and toggle bolts with a screwdriver.
13. If concealed mounting Grab Bar is used, move cover plates over mounting holes and firmly press against the wall (see Figure 1 on page 2).

FIGURE 3



USING GRAB BAR:

1. Read, understand and follow the information in the **SAFETY WARNINGS** section of this instruction booklet. GINGER shall have no liability for any damage or injury caused by improper installation or use of this Grab Bar.
2. Grasp the Grab Bar when exiting or entering the bathtub or when sitting down or rising from the commode.
3. Use **EXTREME** caution on wet tub or floor surfaces.
4. **DO NOT** put entire weight on Grab Bar. Grab Bar can support up to **300 pounds ONLY**.
5. **DO NOT** stand, sit or step on Grab Bar. **DO NOT** use Grab Bar as a step or platform to reach area above the tub. **Use the BAR for assistance ONLY.**

CARE AND MAINTENANCE:

1. To clean, use warm water only with a soft cloth. **NEVER** use abrasive detergents.
2. Periodically inspect the Grab Bar for damage or looseness. **DO NOT** use if any damage or looseness exists. Contact your authorized dealer for assistance.
3. **SAVE THESE INSTRUCTIONS FOR FUTURE REFERENCE.**

LIMITED WARRANTY

Ginger warrants to the original consumer residential purchaser ("Original Purchaser") that if an accessory product in its Ginger® line of products ("Product") is confirmed upon inspection to be defective in materials or workmanship during the warranty periods described below, Ginger will, at its option, either repair or replace the Product with a similar current model of the Product. If repair or replacement is not commercially practical or cannot be made in a timely manner, then Ginger will provide a refund for the Product.

Warranty Periods and Coverage

Product Finishes

PVD and Polished Chrome (26) finishes on Products other than shower rods are warranted as long as the Original Purchaser owns their home. All other metal finishes on Products other than shower rods are warranted for ten (10) years from date of purchase by the Original Purchaser. Shower rods, porcelain parts and glass parts have no finish warranty.

Functionality

All Product parts except lights, valves lotion pump mechanisms, porcelain parts or glass parts are warranted for ten (10) years from date of purchase by the Original Purchaser.

Lotion pump mechanisms are warranted for one (1) year from date of purchase by the Original Purchaser.

Lights , shower rods, porcelain parts and glass parts have no functional warranty.

Exclusions from Coverage

This Warranty does not cover labor charges or associated costs for, or damages occurring during the removal, transportation, return or installation of Products or replacement Products.

This Warranty does not cover damage or defects due to normal wear and tear, misuse, abuse, hard water, improper storage, improper handling, improper maintenance*, improper installation** or uses other than normal household usage***. ***This Warranty is not transferable.***

Limitations on Remedies

In no event will Ginger be liable for incidental or consequential damages (such as labor charges), whether based on breach of express or implied warranty, breach of contract, negligence, strict liability or any other legal theory. Some states do not allow the exclusion or limitation of incidental or consequential damages, so, the above limitation or exclusion may not apply to you.

Any implied warranties, including the implied warranties of merchantability and fitness for a particular purpose, are limited to the duration of this written warranty. Some states do not allow limitations on how long an implied warranty may last, so the above limitation may not apply to you.

Warranty Service

To obtain service under this Warranty, please contact your Product dealer. If you are unable to locate your dealer, please call 800-842-4872 or access the Ginger website at www.gingerco.com. Proof of purchase, such as the original purchase order, is required to issue credit to the distributor.

State Remedies

This Warranty gives you specific legal rights, and you may have other rights which vary from state to state.

* Maintenance

Proper maintenance is required to preserve all finishes. Do not use any abrasive cleaners, alcohol, ammonia, detergents, or brass or silver polish on the Products. For complete care requirements and recommendations, please visit our website at www.gingerco.com.

** Proper Installation

Products must be installed in accordance with the manufacturer's installation instructions supplied with the Products. You may call 800-842-4872 for copies of the installation instructions. Many of our installation instructions are also available on our website, www.gingerco.com.

*** Commercial Purchasers

Ginger extends the above limited warranty to purchasers of Products for industrial, commercial and business use upon the same terms and conditions and exclusions applicable to residential purchasers, except that the finish and functionality warranty periods are reduced to a period of one (1) year from the date of purchase. ***Additionally, with respect to commercial purchasers, all implied warranties, including the implied warranties of merchantability and fitness for a particular purpose are excluded and disclaimed.***