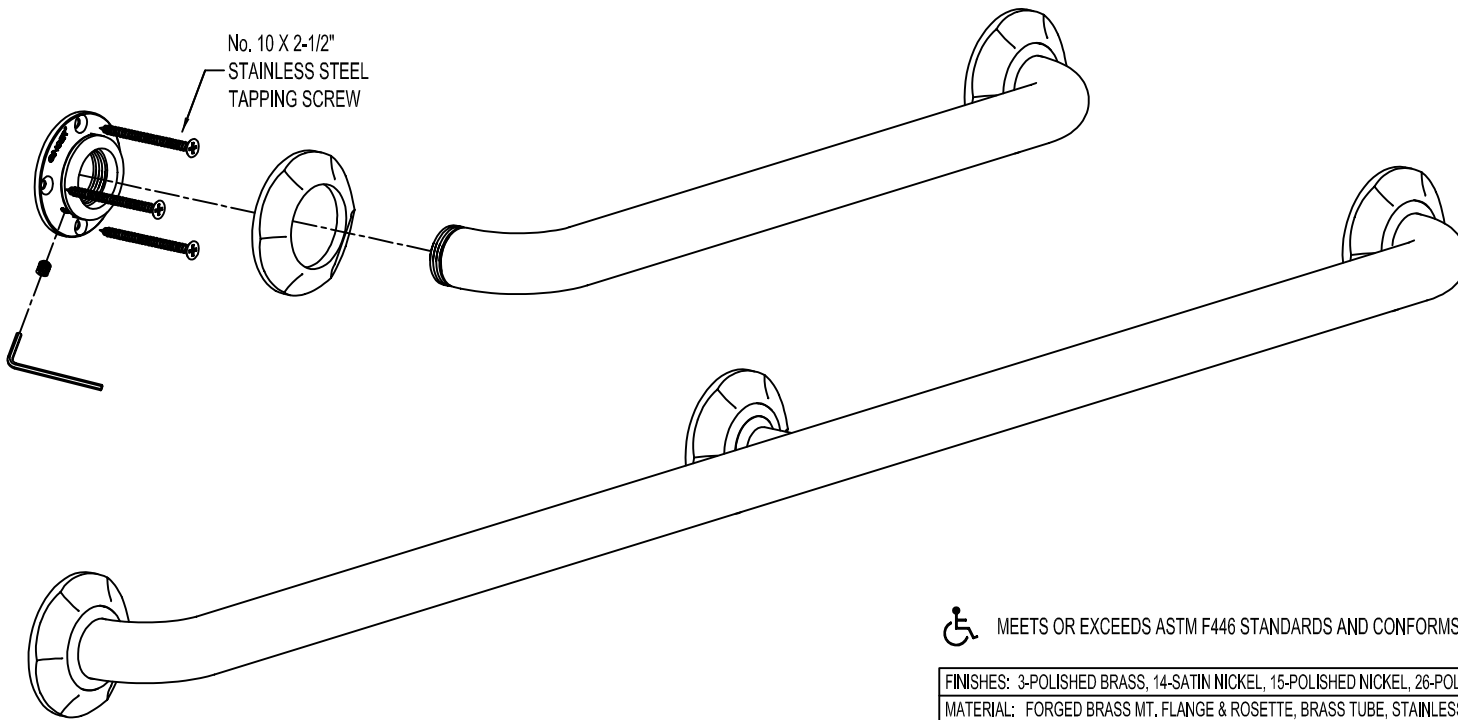
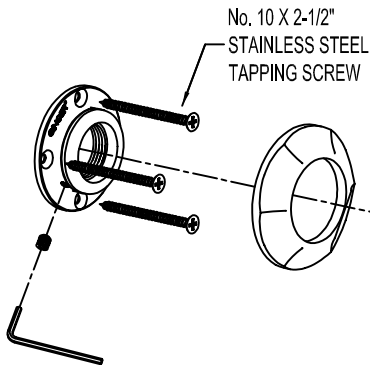


MOUNTING FLANGE DETAIL



HOTEL GRAB BARS
 LENGTH PART NO.

12"	660
16"	661
18"	662
24"	663
32"	664
36"	665
42"	666
48"	667

MEETS OR EXCEEDS ASTM F446 STANDARDS AND CONFORMS TO ADA GUIDELINES.

FINISHES: 3-POLISHED BRASS, 14-SATIN NICKEL, 15-POLISHED NICKEL, 26-POLISHED CHROME, 26/3-COMBINATION, 15/3-COMBINATION		
MATERIAL: FORGED BRASS MT. FLANGE & ROSETTE, BRASS TUBE, STAINLESS STEEL HARDWARE		
PART NOS.	660 ~ 667	STRAIGHT GRAB BARS
DATE: 06.DEC.01	REV.	
		EMPIRE
		DWG.NO. PD-660