



## Information

- Single-hole installation
- Aerated flow rate  $\leq 1.2$  max gpm
- 4-3/4" spout length
- Includes push-top umbrella pop-up drain with overflow
- Optional matching decorative trap G-9970
- ADA
- CALGreen

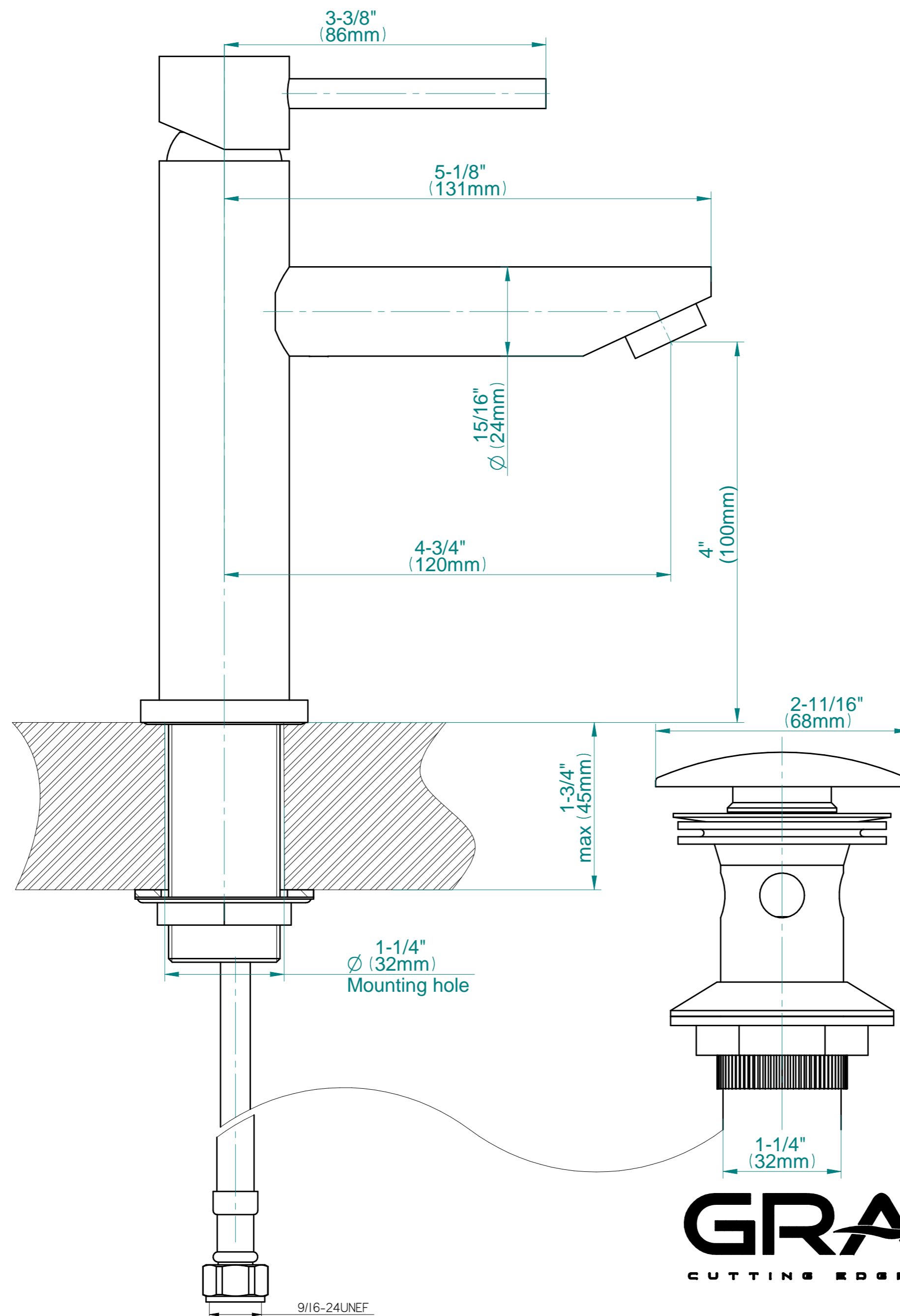
## Finishes





# G-6103-LM41

## ME 25 Series



**GRAFF**<sup>®</sup>  
CUTTING EDGE DESIGN