

G-6338-LM42W

Sento Collection

Wall-Mounted Lavatory Faucet w/Single Handle

GRAFF[®]
CUTTING EDGE DESIGN



Product Features

- Wall-mount spout and handle installation
- Aerated flow rate ≤ 1.2 max gpm
- 8-3/8" spout reach
- Handle may be installed on left or right of spout
- Swivel aerator
- Optional extension kit

Available Finishes

- Polished Chrome
G-6338-LM42W-PC
- Polished Nickel
G-6338-LM42W-PN
- Olive Bronze*
G-6338-LM42W-OB*
- Steelnox[®]
G-6338-LM42W-SN
- Unfinished Brass*
G-6338-LM42W-UB
- Architectural Black*
G-6338-LM42W-BK*
- Architectural White*
G-6338-LM42W-WT*
- Brushed Gold*
G-6338-LM42W-BAU*

* Special order finish- call for availability

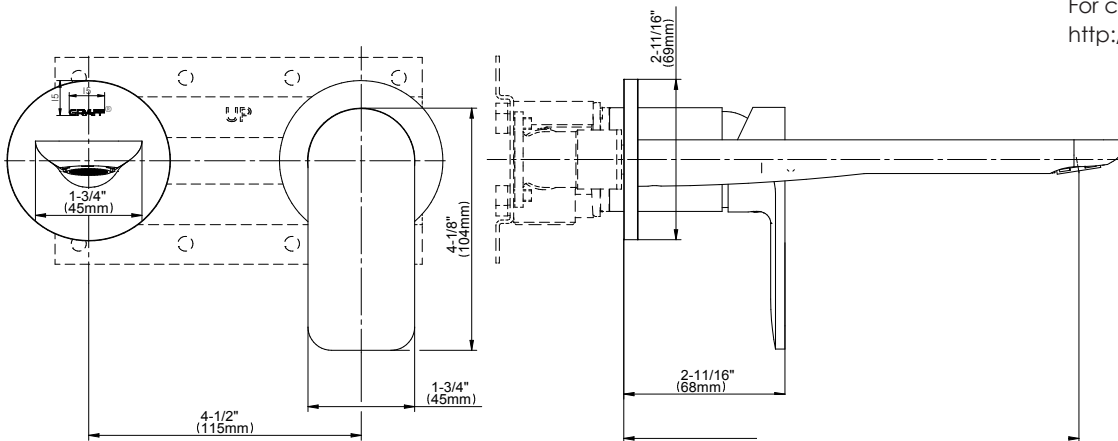
Code Compliance

- ADA
- CALGreen

Warranty

- Limited lifetime warranty

For complete warranty information go to <http://www.graff-designs.com/en/info/faqs>



The measurements shown are for reference only. Products and specifications shown are subject to change without notice. Revised 11/2017.

www.graff-designs.com | phone: 800-954-4723