

BATHROOM
Phase Floor-Mounted Vessel Filler
G-6615-LM45N

GRAFF®



Information

- Floor-mount installation
- Aerated flow rate ≤ 1.2 max gpm
- 7-7/8" spout reach
- 36-1/2-39-5/8" maximum spout height
- Drain assembly not included
- ADA
- CALGreen

G-6615-LM45N
Phase Collection
Floor-Mounted Vessel Filler



Product Features

- Floor-mount installation
- Aerated flow rate < 1.2 max gpm
- 7-7/8" spout reach
- 36-1/2"-39-5/8" maximum spout height
- Swivel areator

Available Finishes

- Polished Chrome
G-6615-LM45N-PC
- Brushed Nickel
G-6615-LM45N-BNi
- Polished Nickel
G-6615-LM45N-PN
- Olive Bronze™
G-6615-LM45N-OB*

* Special order finish- call for availability

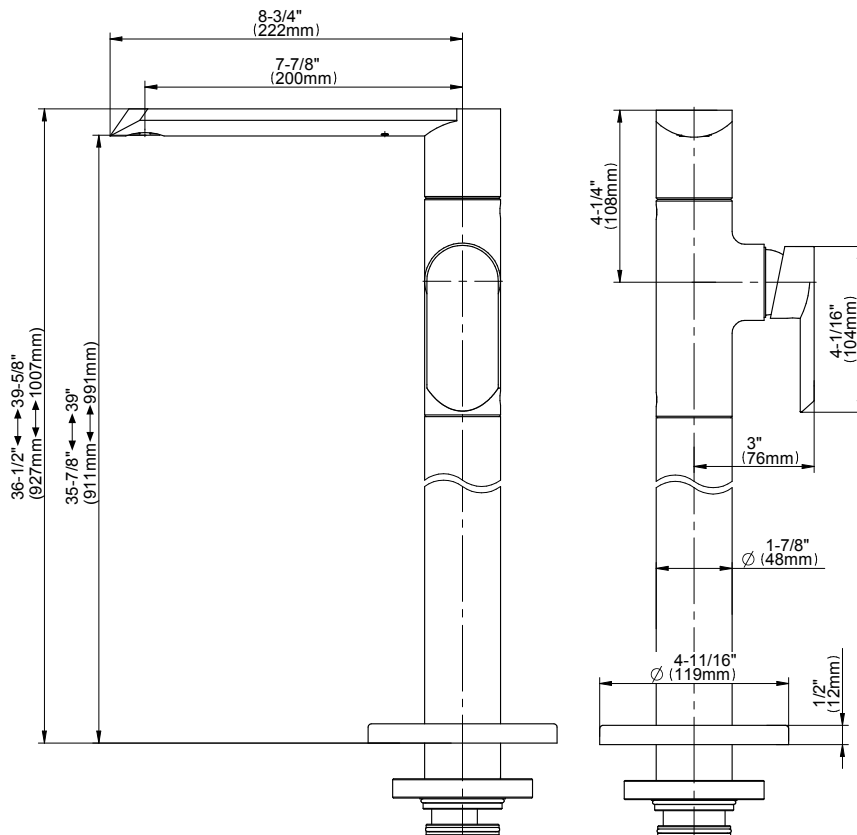
Code Compliance

- ADA
- CALGreen

Warranty

- Limited lifetime warranty

For complete warranty information go to www.graff-faucets.com/en-nam/warranty



The measurements shown are for reference only. Products and specifications shown are subject to change without notice. Revised 11/2017

www.graff-faucets.com | phone: 800-954-4723

BATHROOM
Spout Connection Rough
G-1045

GRAFF[®]



Finishes



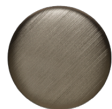
24K Gold



24K Brushed
Gold



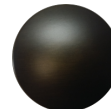
Architectural
Black™



Brushed
Nickel



Matte Black



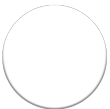
Olive Bronze



Polished
Chrome



Polished
Nickel



Architectural
White

G-1045
Spout Connection Rough



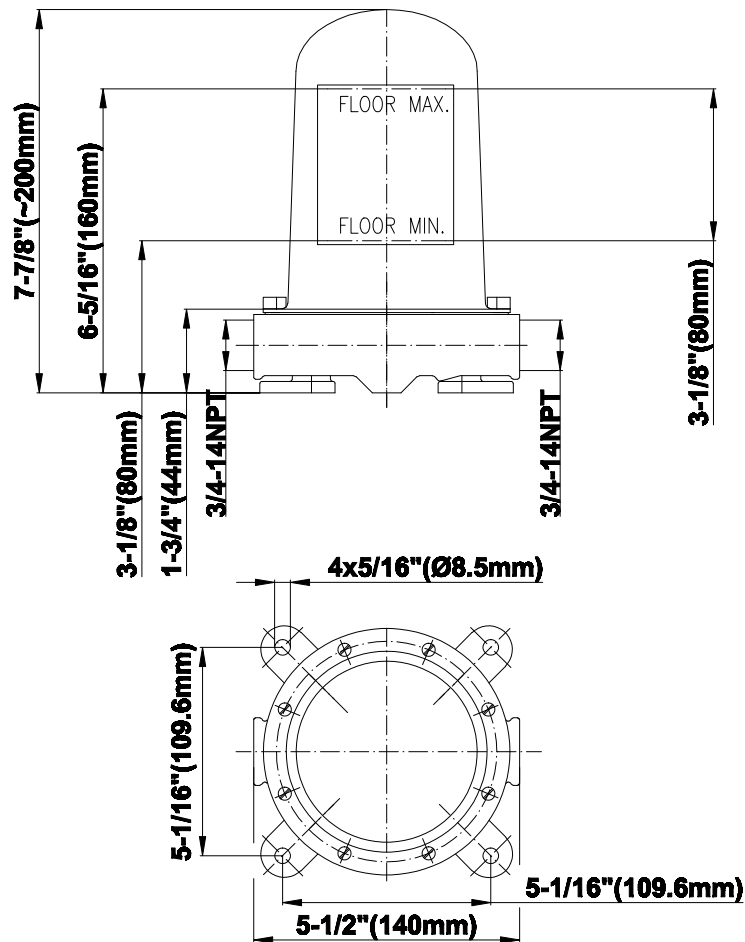
Product Features

- Mud guard displays minimum and maximum floor depth
- Rough can be installed in any orientation making it convenient to route pipes to the rough
- Trim can be rotated 360 degrees in any directions
- Averages 10 GPM with most trim

Warranty

- Limited lifetime warranty

For complete warranty information go to <http://www.graff-faucets.com/en/info/faqs>



BATHROOM
Phase Floor-Mounted Vessel Filler
G-6615-LM45N

GRAFF[®]



Information

- Floor-mount installation
- Aerated flow rate ≤ 1.2 max gpm
- 7-7/8" spout reach
- 36-1/2-39-5/8" maximum spout height
- Drain assembly not included
- ADA
- CALGreen

Finishes



24K Gold



24K Brushed
Gold



Architectural
Black™



Brushed
Nickel



Matte Black



Olive Bronze



Polished
Chrome



Polished
Nickel



Architectural
White

G-6615-LM45N

Phase Collection
Floor-Mounted Vessel Filler

GRAFF[®]
CUTTING EDGE DESIGN



Product Features

- Floor-mount installation
- Aerated flow rate < 1.2 max gpm
- 7-7/8" spout reach
- 36-1/2"-39-5/8" maximum spout height
- Swivel areator

Available Finishes

- Polished Chrome
G-6615-LM45N-PC
- Brushed Nickel
G-6615-LM45N-BNi
- Polished Nickel
G-6615-LM45N-PN
- Olive Bronze™
G-6615-LM45N-OB*

* Special order finish- call for availability

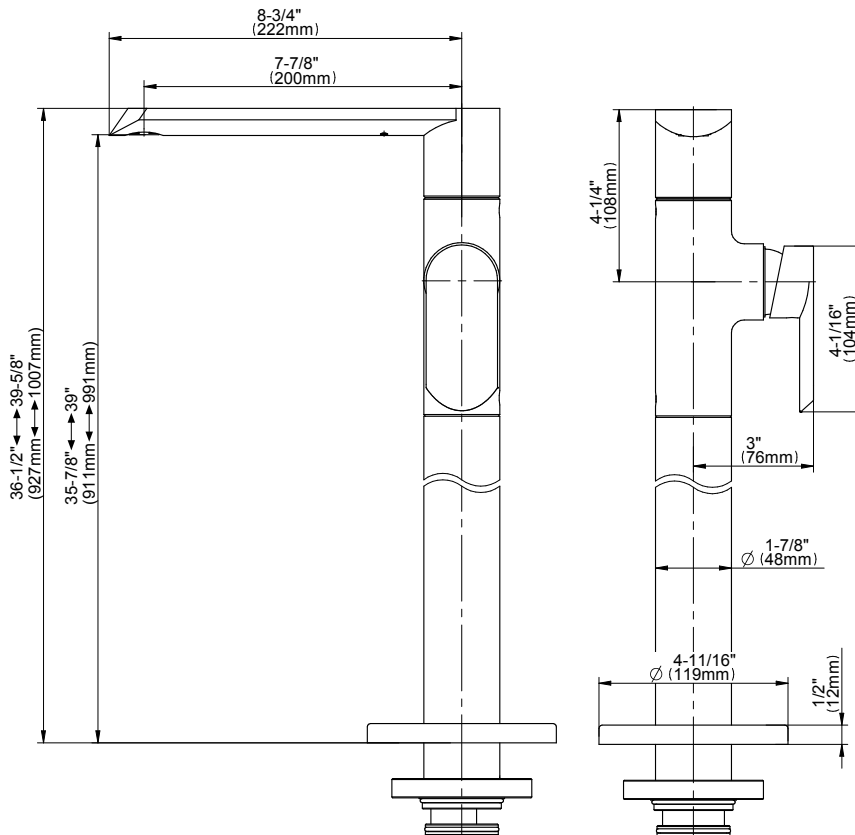
Code Compliance

- ADA
- CALGreen

Warranty

- Limited lifetime warranty

For complete warranty information go to
www.graff-faucets.com/en-nam/warranty



The measurements shown are for reference only. Products and specifications shown are subject to change without notice. Revised 11/2017

www.graff-faucets.com | phone: 800-954-4723