



Information

- Single-hole installation
- Aerated flow rate ≤ 1.2 max gpm
- 1-11/32" hole cutout
- Includes Push-Top Umbrella Pop-up Drain w/Overflow
- Optional Matching Decorative Trap G-9971
- ADA
- CALGreen

Finishes



24K Gold



24K Brushed
Gold



Architectural
Black™



Matte Black



Polished
Chrome



Polished
Nickel



Steelnox®
(Satin Nickel)



Architectural
White

G-3701-LM31M

Solar Collection
Lavatory Faucet

GRAFF[®]
CUTTING EDGE DESIGN



Product Features

- Single-hole installation
- Aerated flow rate <1.2 max gpm
- 1-11/32" hole cutout
- Includes push-top umbrella pop-up drain with overflow

Optional Accessories

- Matching decorative trap
G-9971

Available Finishes

- Polished Chrome
G-3701-LM31M-PC
- Steinox
G-3701-LM31M-SN
- Architectural Black with Chrome Accents
G-3701-LM31M-PC/BK

* Special order finish- call for availability

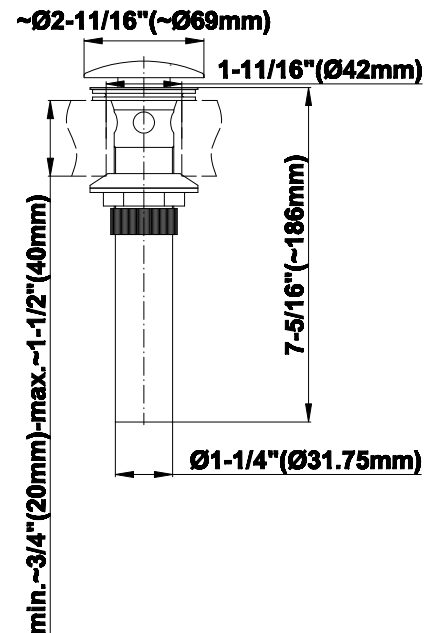
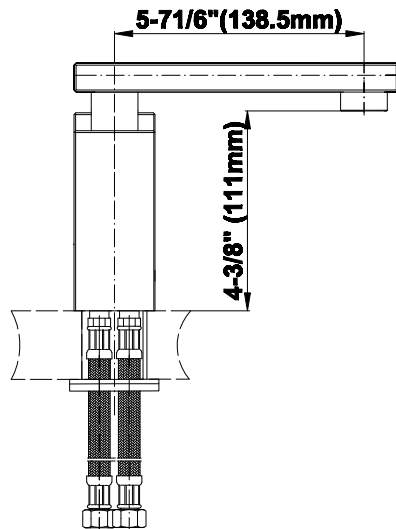
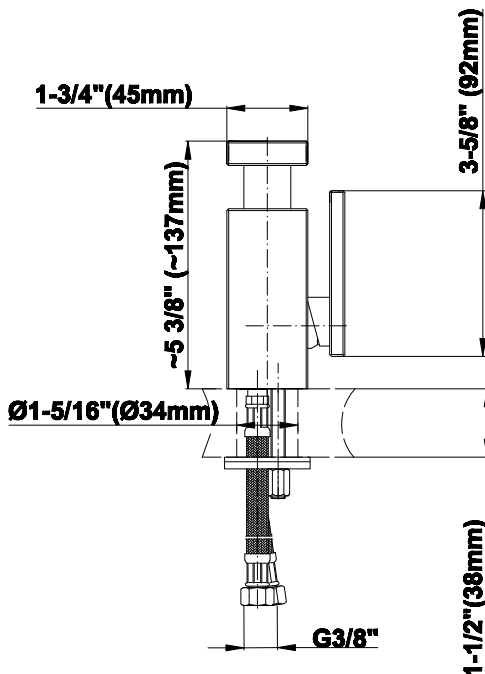
Code Compliance

- ADA
- CALGreen

Warranty

- Limited lifetime warranty

For complete warranty information go to
www.graff-faucets.com/en-nam/warranty



The measurements shown are for reference only. Products and specifications shown are subject to change without notice. Revised 11/2017

www.graff-faucets.com | phone: 800-954-4723