

BATHROOM
 Vintage Two-Hole Lavatory Faucet
G-11320-LM56B

GRAFF®



Information

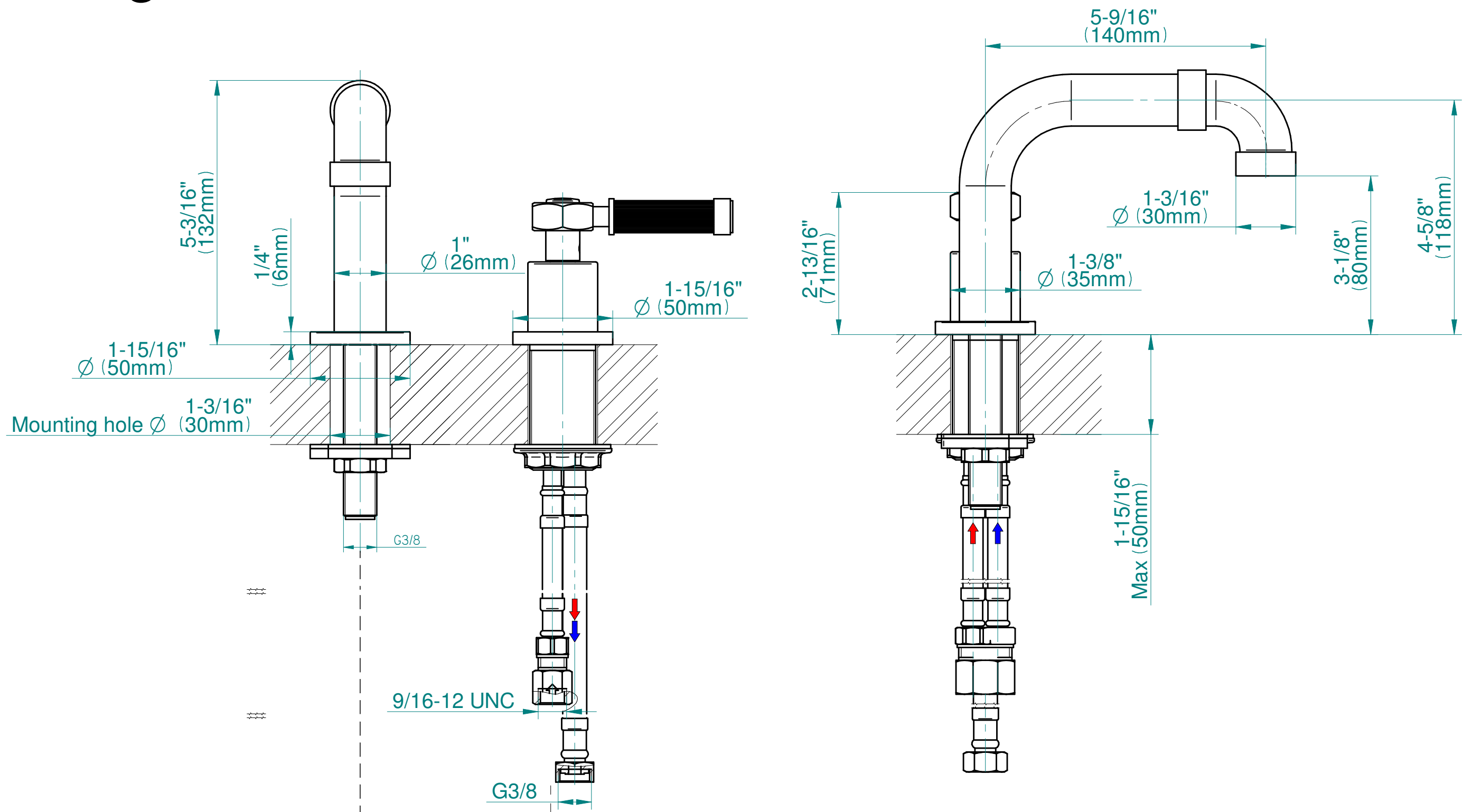
- Two-hole installation
- Aerated flow rate ≤ 1.2 max gpm
- 1-3/16" hole cutout (x2)
- Drain assembly not included
- Optional matching decorative trap G-9973
- ADA
- CALGreen

Finishes



GN-11320-LM56B

Vintage Series



GRAFF[®]
CUTTING EDGE DESIGN