

G-6860-LM47

Finezza UNO Collection

Bidet Faucet

GRAFF[®]
CUTTING EDGE DESIGN



Product Features

- Single hole installation
- Aerated flow rate ~2.2 gpm @60 psi

Available Finishes

- Polished Chrome
G-6860-LM47-PC
- Brushed Nickel
G-6860-LM47-BNi
- Polished Nickel
G-6860-LM47-PN
- Olive Bronze™
G-6860-LM47-OB

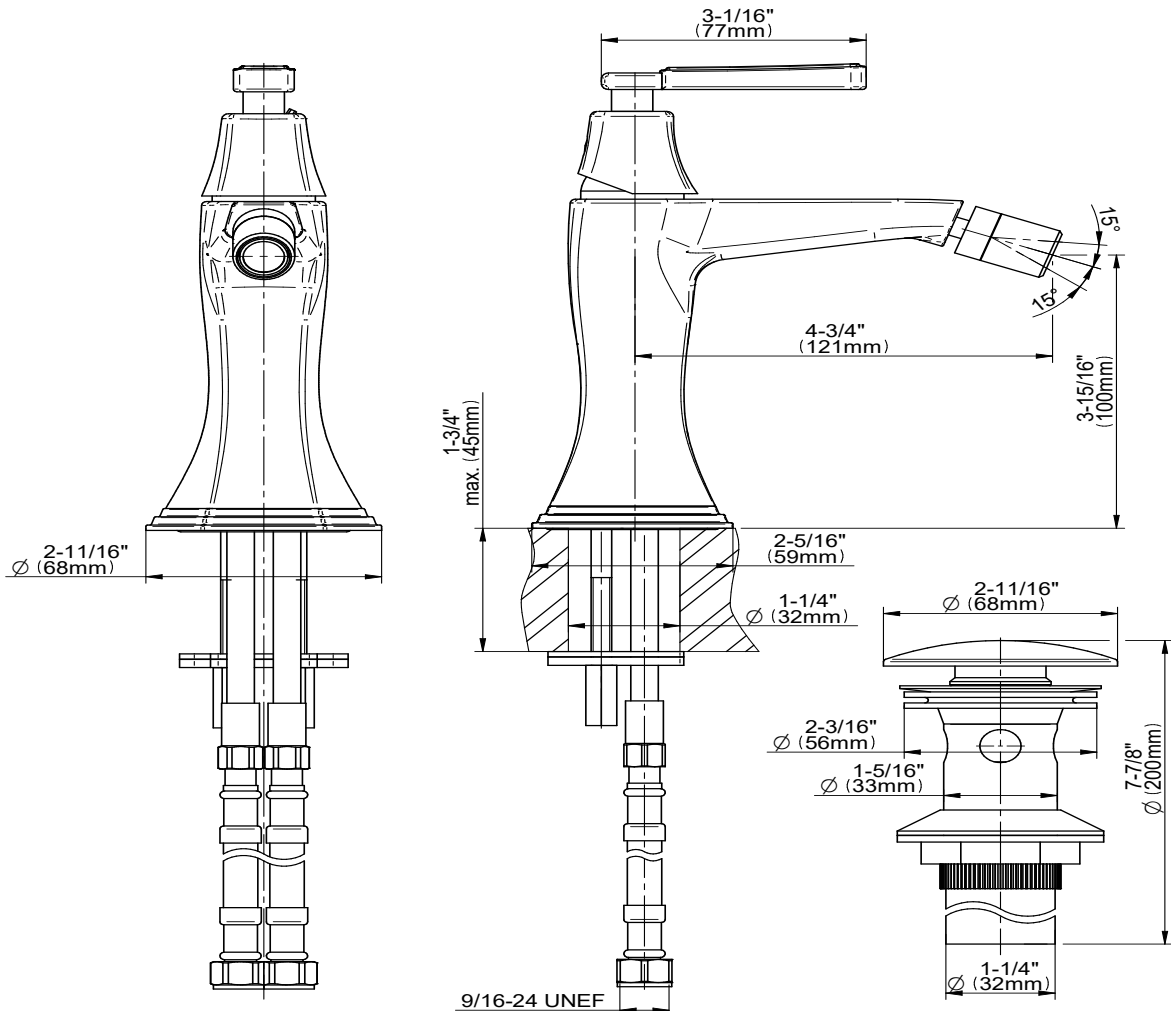
Code Compliance

- ADA

Warranty

- Limited lifetime warranty

For complete warranty information go to: www.graff-faucets.com/en/info/faqs



The measurements shown are for reference only. Products and specifications shown are subject to change without notice. Revised 01/2017

www.graff-faucets.com | phone: 800-954-4723