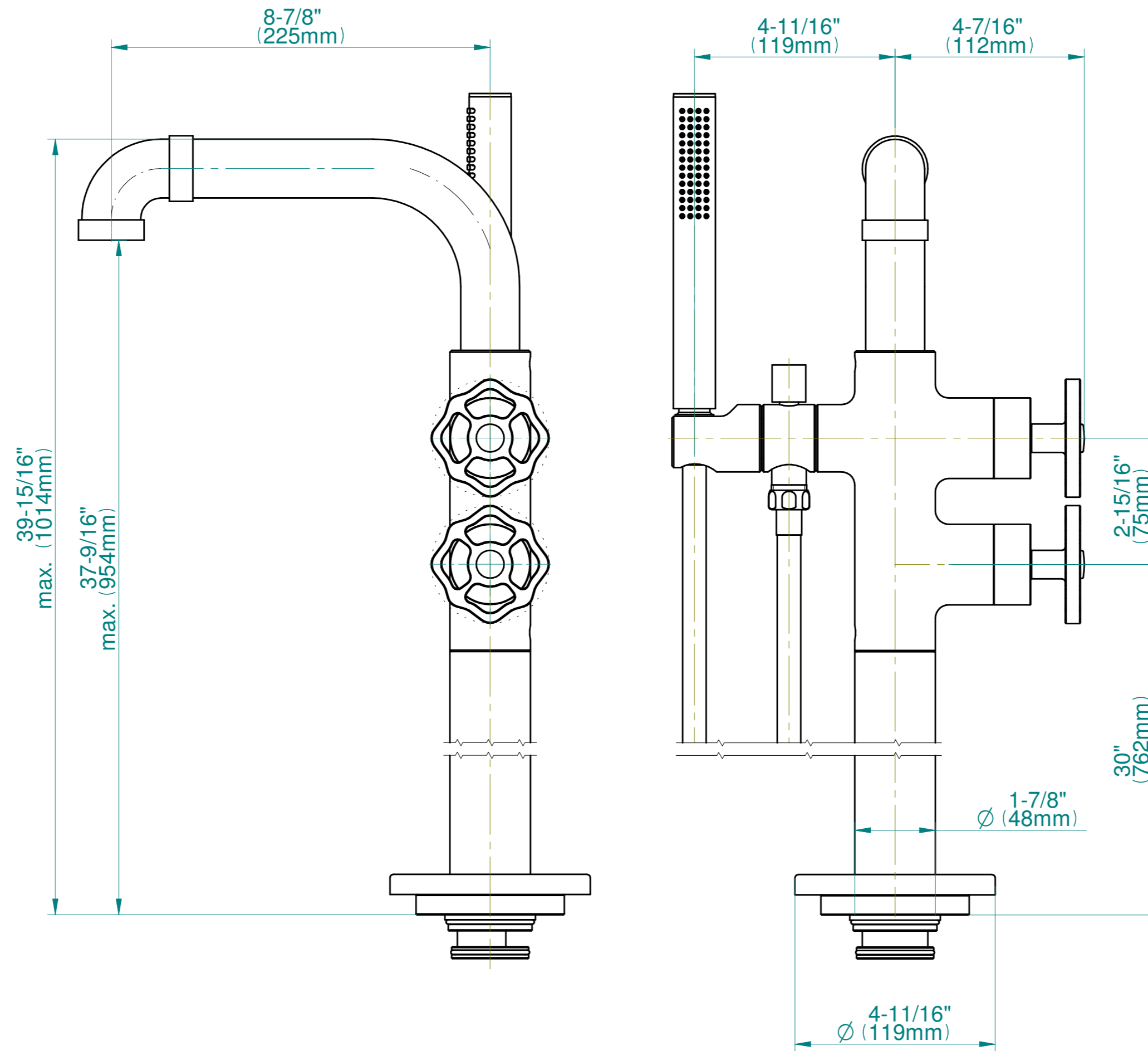


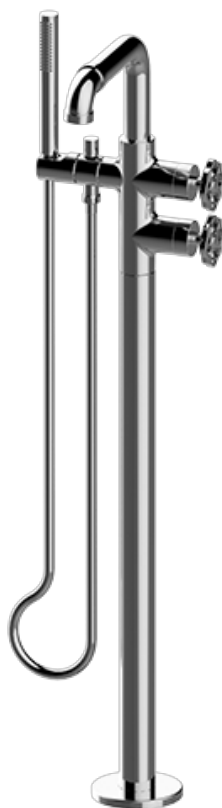
Information

- Floor-mount installation
- Aerated spout flow rate ~7 gpm @ 45 psi
- Handshower flow rate \leq 1.5 max gpm
- 8-3/16" spout reach
- 34-15/16" - 40-1/2" approximate height
- Includes handshower with 59" spiral flexible hose
- Optional in-line pressure balancing valve
- Available Spring 2019 - Call for earlier availability

G-11354-C18B-T

Vintage Series



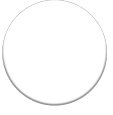


Information

- Floor-mount installation
- Aerated spout flow rate ~7 gpm @ 45 psi
- Handshower flow rate ≤ 1.5 max gpm
- 8-3/16" spout reach
- 34-15/16" - 40-1/2" approximate height
- Includes handshower with 59" spiral flexible hose
- Optional in-line pressure balancing valve
- Available Spring 2019 - Call for earlier availability

Finishes

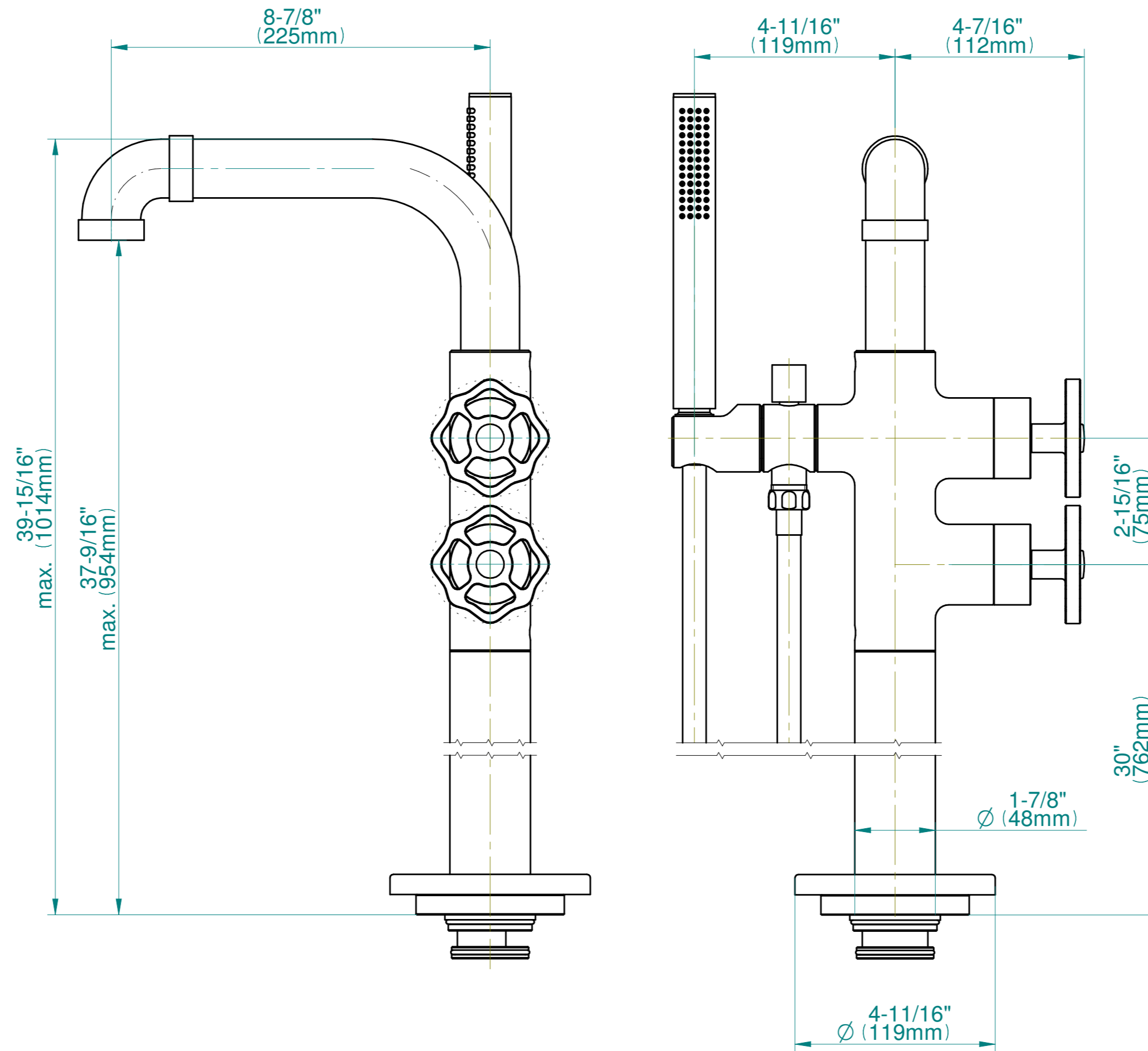




Architectural
White

G-11354-C18B-T

Vintage Series



BATHROOM
Spout Connection Rough
G-1045

GRAFF[®]



Finishes



24K Gold



24K Brushed Gold



24K Brushed Gold with Black Accents



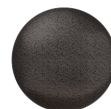
Architectural Black



Brushed Nickel



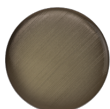
Gunmetal



Gunmetal Distressed



Matte Black



Olive Bronze



Polished Chrome



Polished Chrome with Black Accents



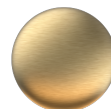
Polished Nickel



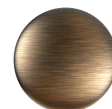
Polished Nickel with Black Accents



Unfinished Brass



Unfinished Brushed Brass



Brushed Brass



Architectural White

G-1045
Spout Connection Rough



Product Features

- Mud guard displays minimum and maximum floor depth
- Rough can be installed in any orientation making it convenient to route pipes to the rough
- Trim can be rotated 360 degrees in any directions
- Averages 10 GPM with most trim

Warranty

- Limited lifetime warranty

For complete warranty information go to <http://www.graff-faucets.com/en/info/faqs>

