

SHOWER  
Finezza DUE M-Series  
Thermostatic Shower System -  
Shower with Handshower  
**GR2.022WD-LM47E0**

---

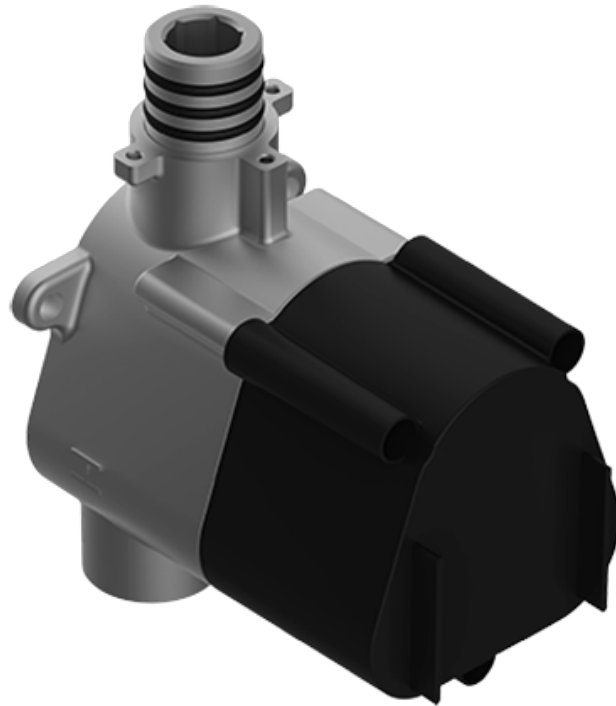
**GRAFF®**



## Information

- 3/4" thermostatic valve and trim
- 3/4" 2-way diverter valve
- 9" showerhead with 12" wall-mounted shower arm
- Showerhead features no-clog, easy-clean spray nozzles
- Handshower set with wall bracket and 59" hose (PVD finishes use 59" flex hose)
- Optional extension kit
- Flow rates: showerhead  $\leq 1.8$  max gpm, handshower  $\leq 1.8$  max gpm
- ADA
- CALGreen

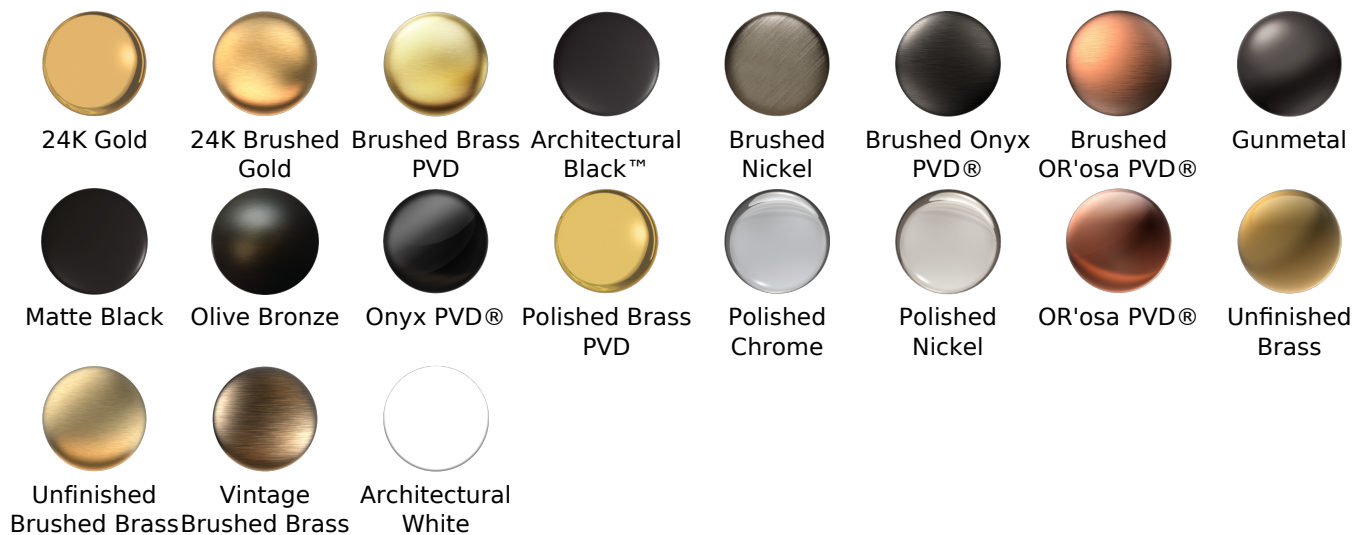
SHOWER  
 Thermostatic Rough Valve  
**G-8006**



**Information**

- 12.9 gpm @ 60 psi
- 3/4" universal inlets
- Built-in service stops
- Stacking outlet feature
- Complete serviceability from front of all units
- Supplied with protective plastic cover
- CalGreen compliant dependent on functions

**Finishes**





# G-8006

M-Series

3/4" Concealed Thermostatic Rough Valve



## Product Features

- 12.9 gpm @ 60 psi
- 3/4" universal inlets
- Built-in service stops
- Stacking outlet feature
- Complete serviceability from front of all units
- Supplied with protective plastic cover
- CalGreen compliant dependent on functions

## Code Compliance

- CALGreen

## Warranty

- Limited lifetime warranty

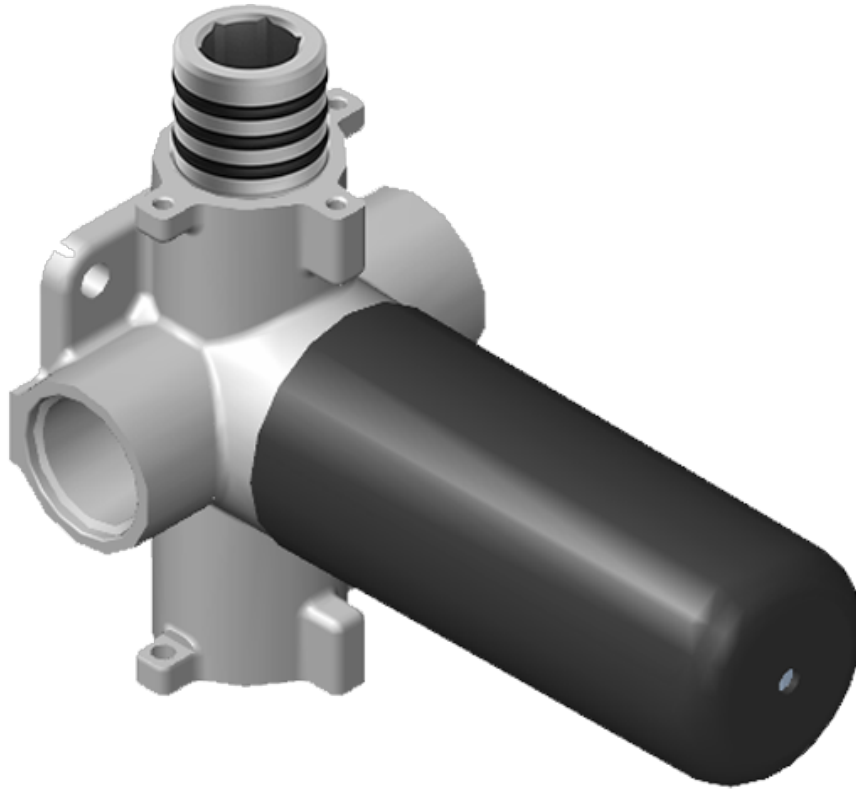
For complete warranty information go to [www.graff-faucets.com/en/info/faqs](http://www.graff-faucets.com/en/info/faqs)



The measurements shown are for reference only. Products and specifications shown are subject to change without notice. Revised 3/2016.

[www.graff-faucets.com](http://www.graff-faucets.com) | phone: 800-954-4723

SHOWER  
 Two-Way Diverter Volume Control  
 Valve WITH Off Function and Pass-  
 Through  
**G-8052**



**Information**

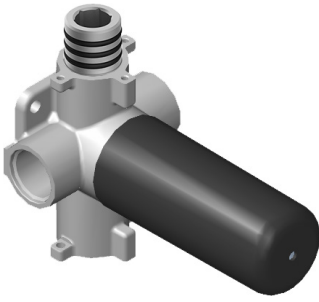
- 11.7 gpm @ 60 psi
- 3/4" universal inlets/outlets with female threads
- Operates one function at a time
- Stacking inlet and pass-through port feature
- Supplied with protective plastic cover
- CALGreen compliant depending on functions

**Finishes**



Unfinished      Vintage      Architectural  
Brushed Brass    Brushed Brass      White

**G-8052** M-Series  
 2-Way Diverter Volume Control Valve  
 WITH Off Function and Pass-Through



**Product Features**

- 12.1 gpm @ 60 psi
- 3/4" universal inlets/outlets with female threads
- Stacking inlet and pass-through port feature
- Supplied with protective plastic cover
- CalGreen compliant dependent on functions

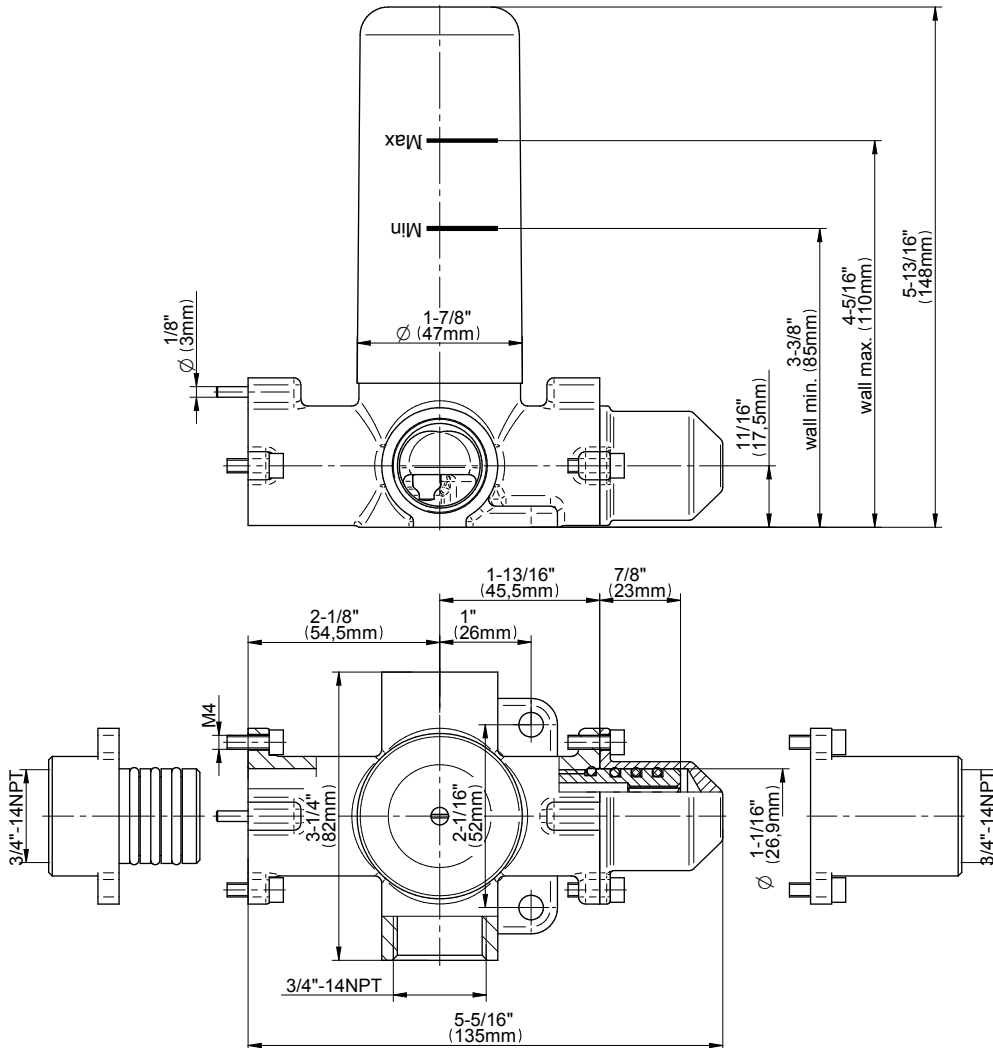
**Code Compliance**

- CALGreen

**Warranty**

- Limited lifetime warranty

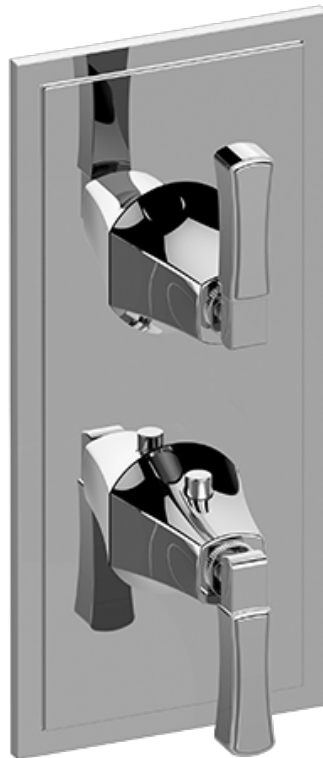
For complete warranty information go to [www.graff-faucets.com/en/info/faqs](http://www.graff-faucets.com/en/info/faqs)



The measurements shown are for reference only. Products and specifications shown are subject to change without notice. Revised 3/2016.

[www.graff-faucets.com](http://www.graff-faucets.com) | phone: 800-954-4723

SHOWER  
 Finezza DUE Thermostatic 2-Hole  
 Trim Plate and Handle  
**G-8149-LM47E0-T**



**Information**

- Two metal handles
- Decorative trim plate
- Use with G-8006 and G-8076 or G-8077 or G-8052 or G-8053 thermostatic rough valves
- To complete package, you must order rough valves
- ADA

**Finishes**





# G-8149-LM47E0-T

Finezza DUE Collection

Thermostatic 2-Hole Trim Plate and Handle

**GRAFF**<sup>®</sup>  
CUTTING EDGE DESIGN



## Product Features

- Two metal handles
- Decorative trim plate
- Use with G-8006 and G-8076 or G-8077 or G-8052 or G-8053 thermostatic rough valves
- To complete package, you must order rough valves

## Code Compliance

- ADA

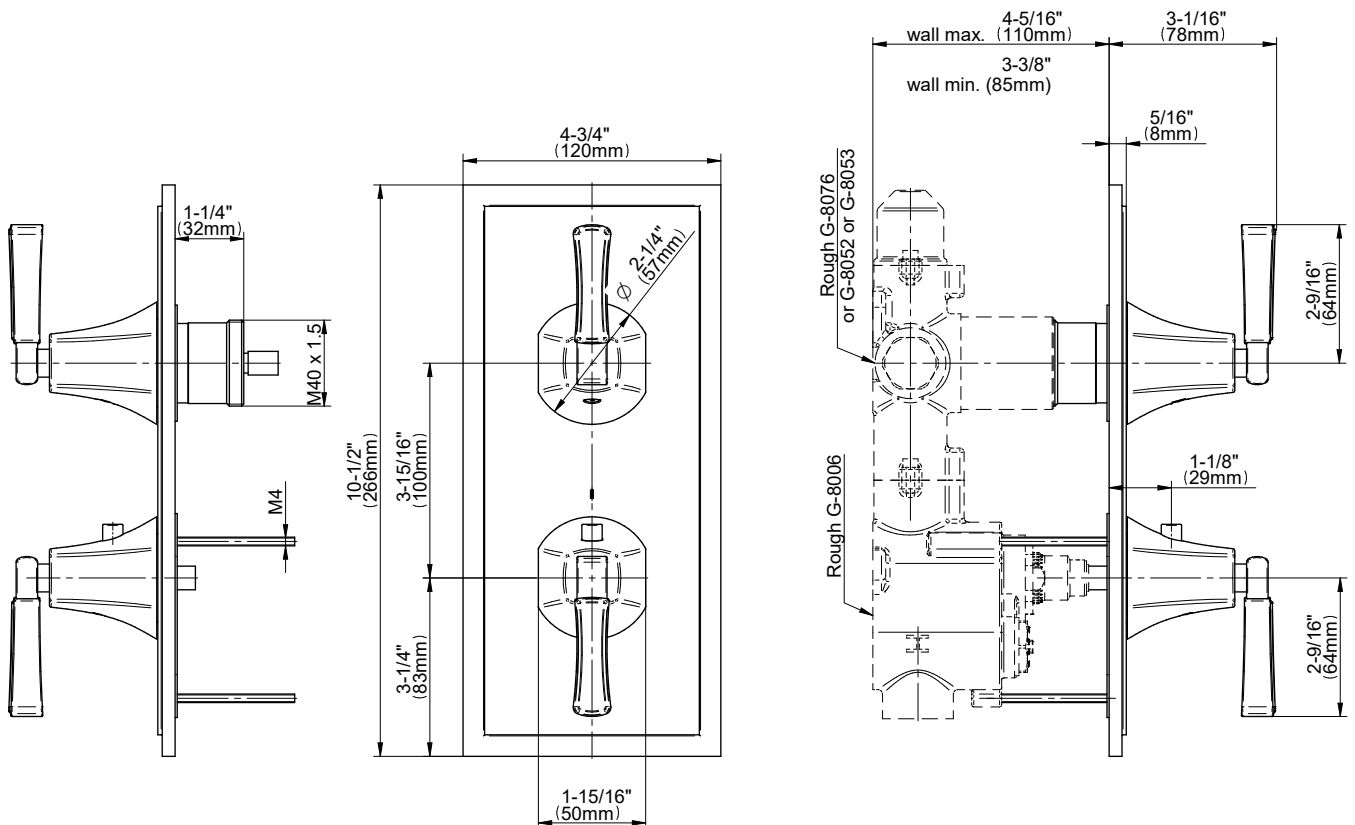
## Available Finishes

- Polished Chrome  
G-8149-LM47E0-PC-T
- Brushed Nickel  
G-8149-LM47E0-BNi-T
- Polished Nickel  
G-8049-LM47E0-PN-T
- Olive Bronze™  
G-8049-LM47E0-OB-T

## Warranty

- Limited lifetime warranty

For complete warranty information go to: [www.graff-faucets.com/en/info/faqs](http://www.graff-faucets.com/en/info/faqs)



The measurements shown are for reference only. Products and specifications shown are subject to change without notice. Revised 6/2017

[www.graff-faucets.com](http://www.graff-faucets.com) | phone: 800-954-4723



**Information**

- 126 no-clog, easy-clean rubber spray nozzles
- Recommended use with ceiling shower arm
- Recommended for use at no more than 10 degrees tilt
- Showerhead flow rate ≤ 1.8 max gpm
- CALGreen

**Finishes**



## G-8406

Finezza Collection  
9" Rain Showerhead

**GRAFF**<sup>®</sup>  
CUTTING EDGE DESIGN

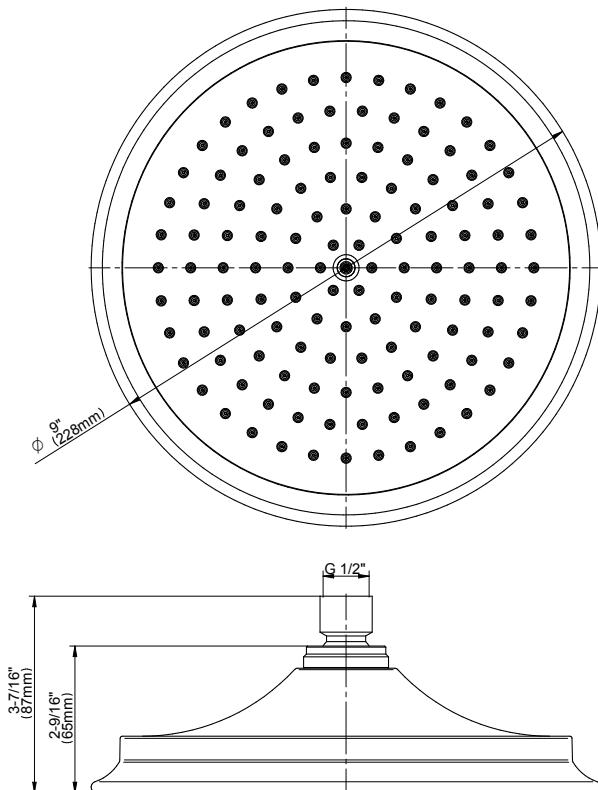
### Product Features

- Sunflower shape
- 126 no-clog, easy-clean rubber spray nozzles
- Showerhead flow rate < 1.8 max gpm

### Available Finishes

- Polished Chrome  
G-8406-PC
- Brushed Nickel  
G-8406-BNi
- Polished Nickel  
G-8406-PN
- Unfinished Brass\*  
G-8406-UB\*
- Olive Bronze  
G-8406-OB\*
- Gold\*  
G-8406-AU\*
- Brushed Gold\*  
G-8406-BAU\*

\* Special order finish- call for availability



### Code Compliance

- CALGreen

### Warranty

- Limited lifetime warranty

For complete warranty information go to  
[www.graff-designs.com/en-nam/warranty](http://www.graff-designs.com/en-nam/warranty)

The measurements shown are for reference only. Products and specifications shown are subject to change without notice. Revised 12/2017

[www.graff-designs.com](http://www.graff-designs.com) | phone: 800-954-4723

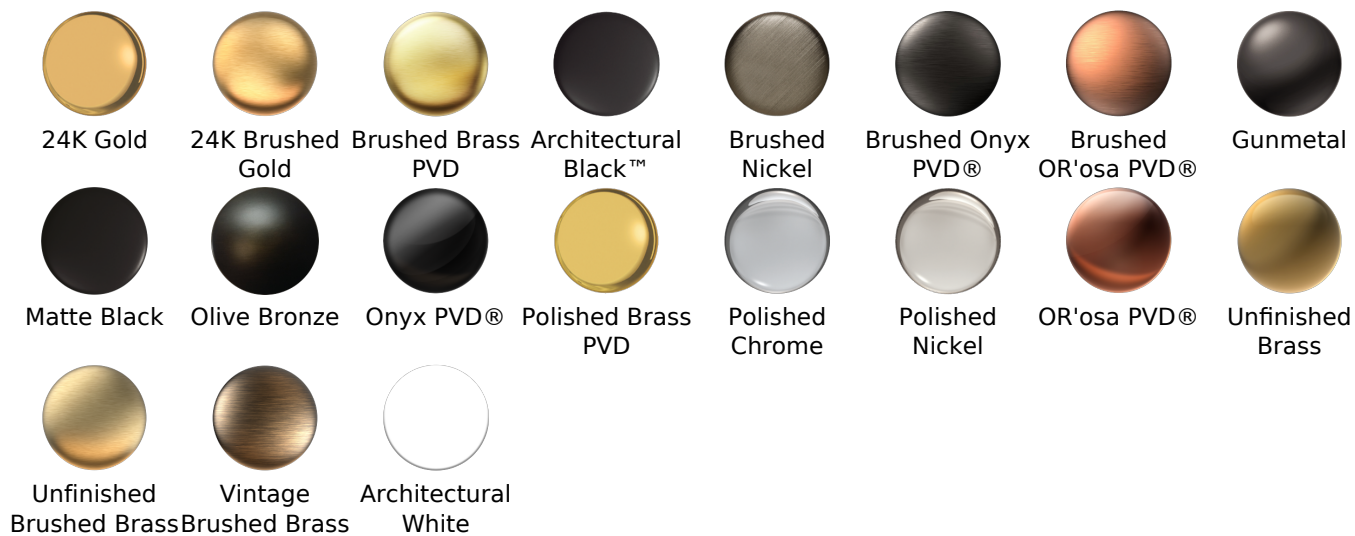
SHOWER  
 Finezza 12" Shower Arm  
**G-8513**



**Information**

- Includes arm and solid flange
- 1/2" NPT male thread inlet
- For use with all showerheads (especially G-8406)

**Finishes**



## G-8513

Finezza Collection  
12" Shower Arm

**GRAFF**<sup>®</sup>  
CUTTING EDGE DESIGN



### Product Features

- Includes arm and solid flange
- 1/2" NPT male thread inlet

### Available Finishes

- Polished Chrome  
G-8513-PC
- Brushed Nickel  
G-8513-BNi
- Polished Nickel  
G-8513-PN
- Olive Bronze™  
G-8513-OB

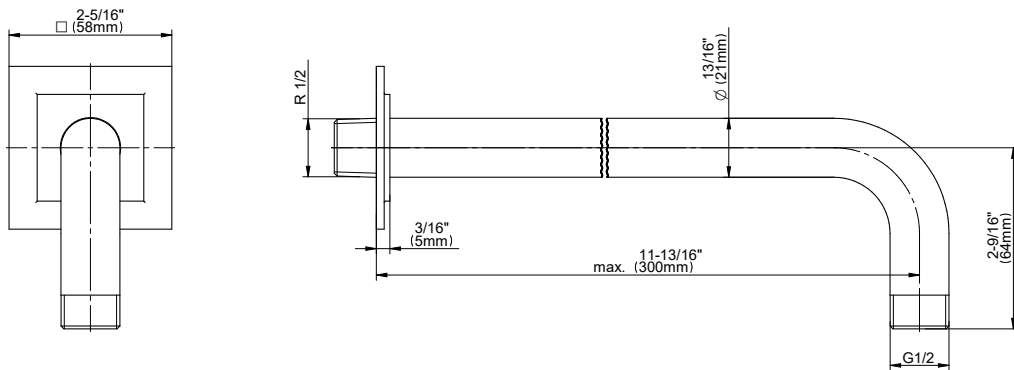
### Optional Accessories

- For use with all showerheads especially G-8406-\*\*

### Warranty

- Limited lifetime warranty

For complete warranty information go to: [www.graff-faucets.com/en/info/faqs](http://www.graff-faucets.com/en/info/faqs)



The measurements shown are for reference only. Products and specifications shown are subject to change without notice. Revised 01/2017

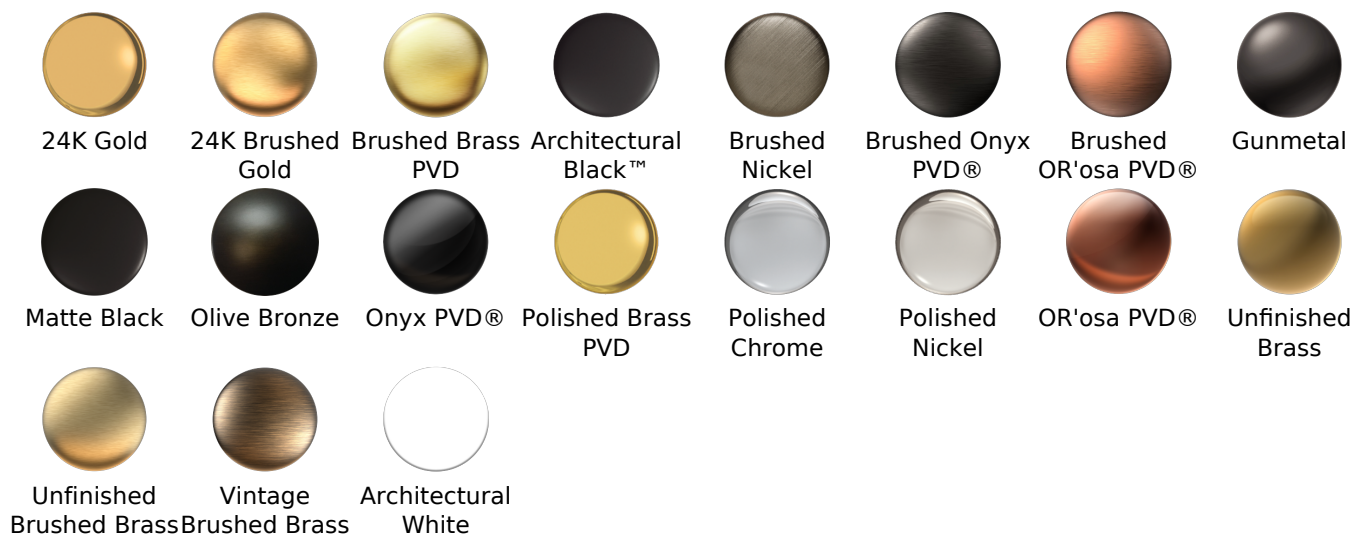
[www.graff-faucets.com](http://www.graff-faucets.com) | phone: 800-954-4723



## Information

- Brass spiral flexible hose with conical nut

## Finishes



### Product Features

- Brass spiral flexible hose with conical nut



### Warranty

- Limited lifetime warranty

For complete warranty information go to [www.graff-designs.com/en-nam/warranty](http://www.graff-designs.com/en-nam/warranty)

### Available Finishes

- Polished Chrome  
G-8605-PC
- Polished Nickel  
G-8605-PN
- Brushed Nickel  
G-8605-BNi
- Unfinished Brushed Brass\*  
G-8605-UBB\*
- Unfinished Brass\*  
G-8605-UB\*
- Matte Black\*  
G-8605-MBK\*
- Architectural Black\*  
G-8605-BK\*
- Architectural White\*  
G-8605-WT\*
- Olive Brass\*  
G-8605-OB\*
- Gunmetal\*  
G-8605-GM\*
- Vintage Brushed Brass\*  
G-8605-VBB\*
- Steelnox (Satin Nickel)  
G-8605-SN
- 24K Brushed Gold\*  
G-8605-BAU\*
- 24K Gold\*  
G-8605-AU\*
- Gunmetal Distressed\*  
G-8605-GMD\*

\* Special order finish- call for availability





## Information

- 1/2" NPT male thread inlet

## Finishes





# G-8653

Finezza DUE Collection  
Finezza DUE Wall Supply Elbow



## Product Features

- 1/2" NPT male thread inlet

## Available Finishes

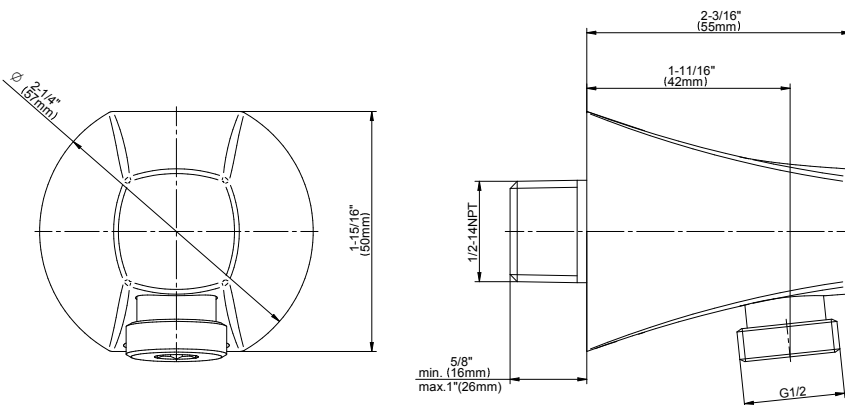
- Polished Chrome  
G-8653-PC
- Brushed Nickel  
G-8653-BNi
- Polished Nickel  
G-8653-PN
- Olive Bronze  
G-8653-OB
- Unfinished Brass\*  
G-8653-UB\*
- Gold\*  
G-8653-AU\*
- Brushed Gold\*  
G-8653-BAU\*

\* Special order finish- call for availability

## Warranty

- Limited lifetime warranty

For complete warranty information go to  
<https://www.graff-faucets.com/en/info/faqs>

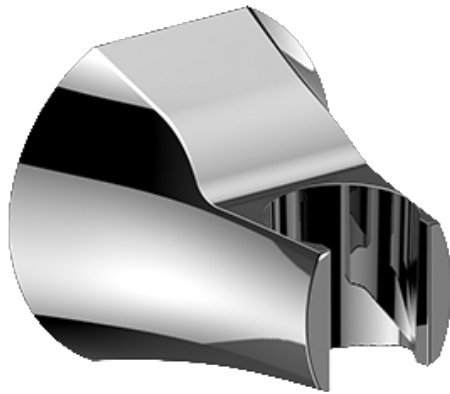


The measurements shown are for reference only. Products and specifications shown are subject to change without notice. Revised 5/2018.

[www.graff-designs.com](http://www.graff-designs.com) | phone: 800-954-4723

SHOWER  
Finezza DUE Wall Bracket for  
Handshower  
**G-8662**

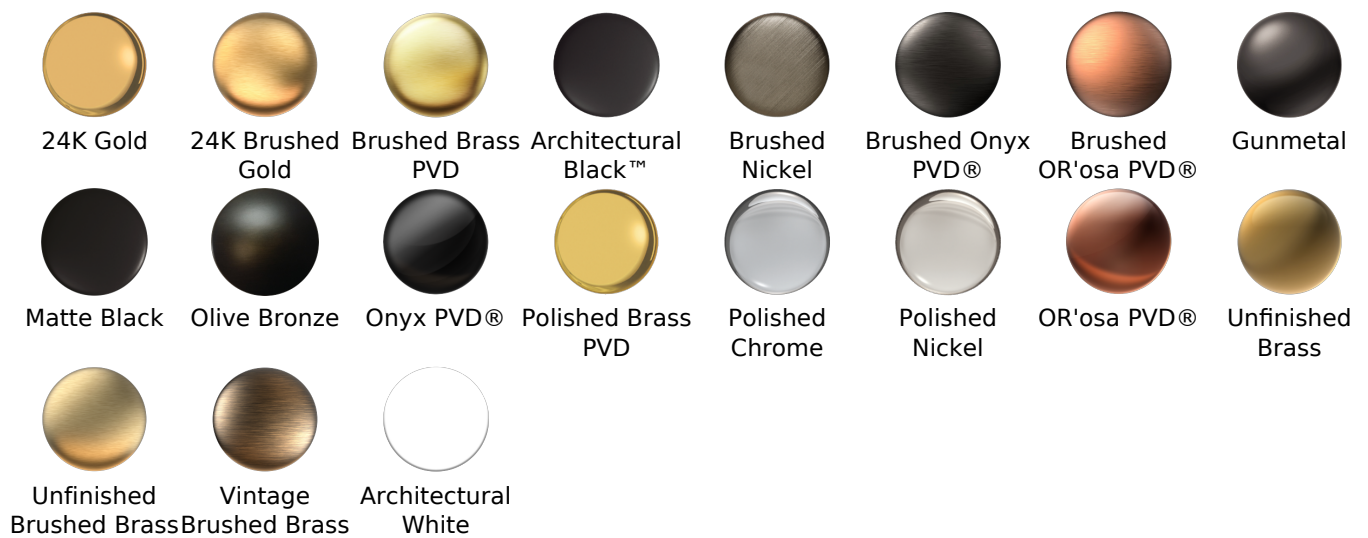
**GRAFF®**



### Information

- Solid brass construction

### Finishes

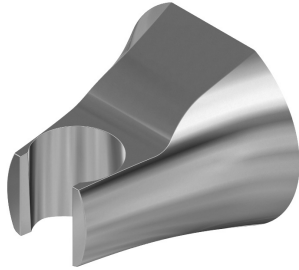


## G-8662

Finezza DUE Collection

Finezza DUE Wall Bracket for Handshower

# GRAFF®



### Product Features

- Solid brass construction

### Available Finishes

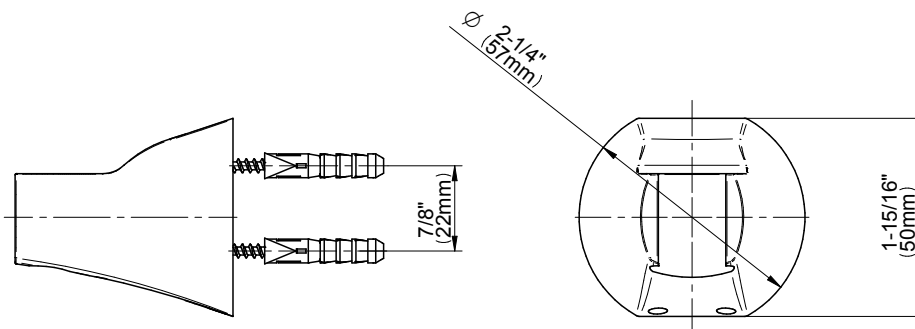
- Polished Chrome  
G-8662-PC
- Brushed Nickel  
G-8662-BNi
- Polished Nickel  
G-8662-PN
- Olive Bronze  
G-8662-OB
- Unfinished Brass\*  
G-8662-UB\*
- Gold\*  
G-8662-AU\*
- Brushed Gold\*  
G-8662-BAU\*

\* Special order finish- call for availability

### Warranty

- Limited lifetime warranty

For complete warranty information go to <https://www.graff-faucets.com/en/info/faqs>



The measurements shown are for reference only. Products and specifications shown are subject to change without notice. Revised 5/2018.

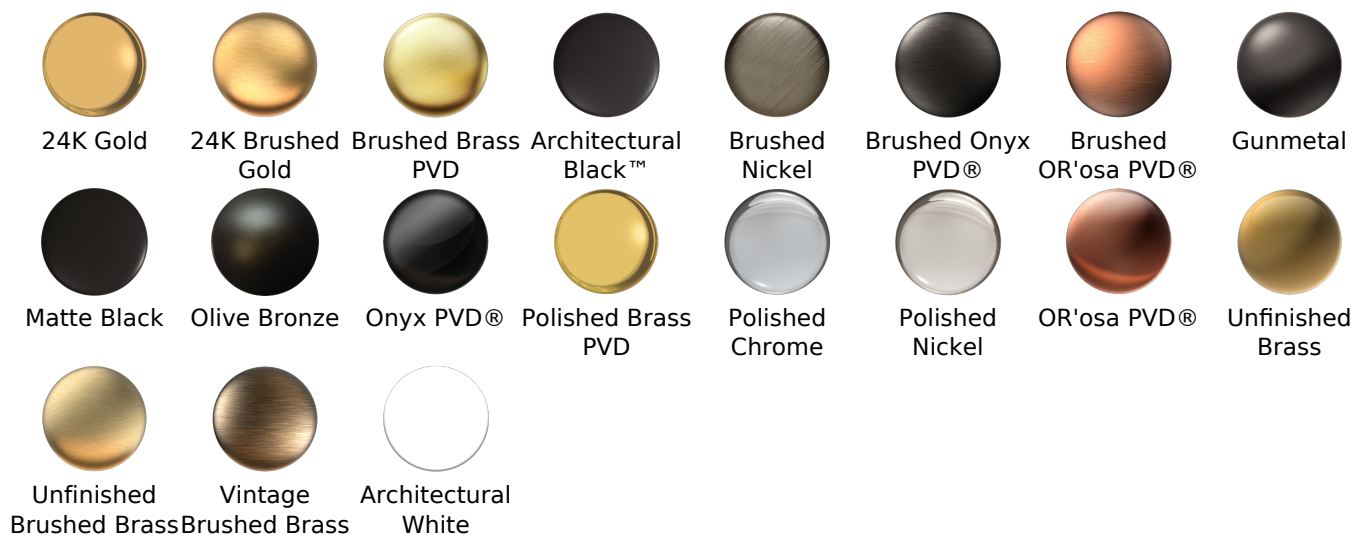
[www.graff-designs.com](http://www.graff-designs.com) | phone: 800-954-4723



**Information**

- Solid brass construction
- All-metal handle
- Shower hose not included
- Includes internal backflow preventer
- Handshower flow rate ≤ 1.8 max gpm
- CALGreen

**Finishes**



## G-8724

Finezza Collection  
Finezza Handshower

# GRAFF®



### Product Features

- Solid brass construction
- Smooth, all-metal handle
- Shower hose not included
- Handshower flow rate  $\leq 1.5$  max gpm
- Includes internal backflow preventer

### Available Finishes

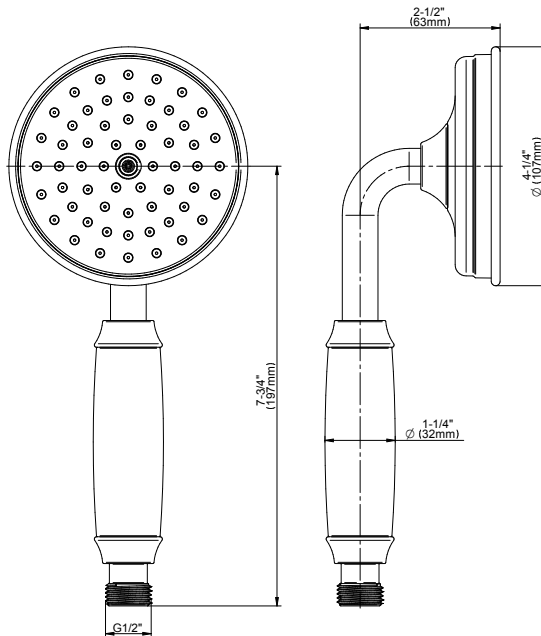
- Polished Chrome  
G-8724-PC
- Brushed Nickel  
G-8724-BNi
- Polished Nickel  
G-8724-PN
- Olive Bronze  
G-8724-OB
- Unfinished Brass\*  
G-8724-UB\*
- Gold\*  
G-8724-AU\*
- Brushed Gold\*  
G-8724-BAU\*

\* Special order finish- call for availability

### Warranty

- Limited lifetime warranty

For complete warranty information go to  
<https://www.graff-faucets.com/en/info/faqs>



The measurements shown are for reference only. Products and specifications shown are subject to change without notice. Revised 5/2018.

[www.graff-designs.com](http://www.graff-designs.com) | phone: 800-954-4723